

A36 D-SUB IDC MALE (DUAL U-SLOT)

PITCH: 2.54mm

SPECIFICATIONS

Material

Insulator : PBT, glass reinforced, rated UL 94V-0

Contact : Phosphor Bronze

Electrical

Current Rating : 1 Amp DC for # 28AWG Cable

1.5Amp DC for # 26AWG Cable

Contact Resistance : 30 mΩ max.

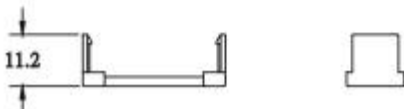
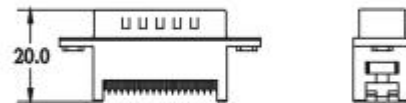
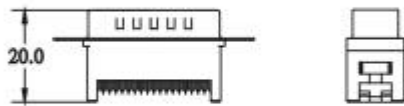
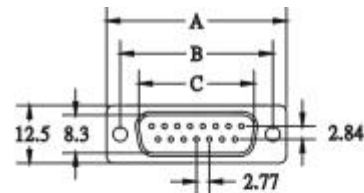
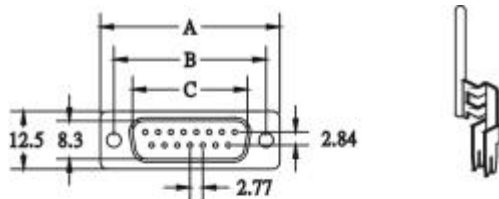
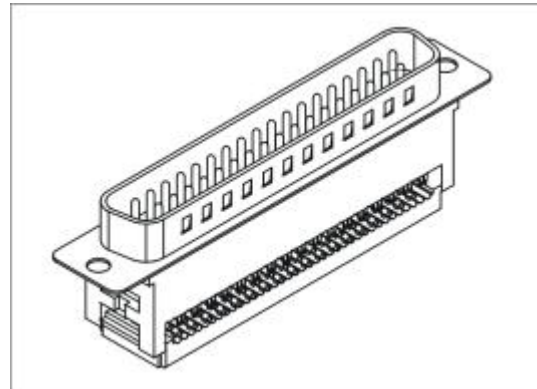
Insulation Resistance : 3000 MΩ min.

Dielectric Withstanding Voltage : 500V AC for 1minute

Operating Temperature : -40°C to +105°C

• Terminated with 1.27mm pitch flat ribbon cable.

• Mating Suggestion : E07, E09, E10 & E11 series.



POSITION	A	B	C
9	30.80	25.00	16.92
15	39.20	33.30	25.25
25	53.05	47.04	38.96
37	69.40	63.50	55.42

HOW TO ORDER:

A36 - 1 - 2 - 3 - 4 - 5 - 6 - 7

1.NO. OF CONTACT	2.CONTACT TYPE	3.CONTACT PLATING	4.SHELL
09 15 25 37	M: MALE	T: TIN PLATED S: SELECTIVE G: GOLD FLASH A: 5μ" INCH GOLD B: 10μ" INCH GOLD C: 15μ" INCH GOLD D: 30μ" INCH GOLD	A: METAL
5.MOUNTING METHOD	6.ACCESSORIES	7.INSULATOR COLOR	
A: THROUGH HOLE B: THREAD INSERT 4-40 UNC C: THREAD INSERT M3	A: W STRAIN RELIEF B: W/O STRAIN RELIEF	1. BLACK 2. GREY 3. BLUE	