
HD74AC164/HD74ACT164

Serial-In, Parallel-Out Shift Register

HITACHI

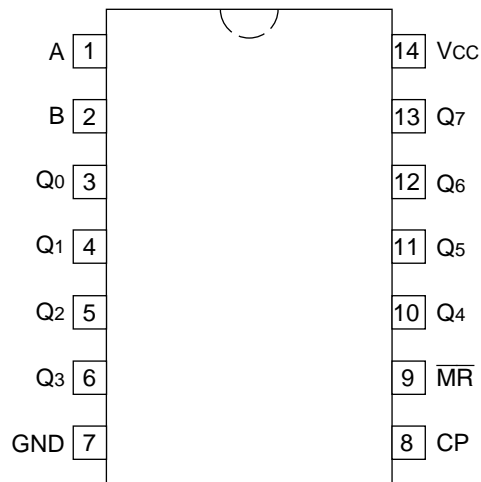
Description

The HD74AC164/HD74ACT164 is a high-speed 8-bit serial-in/parallel-out shift register. Serial data is entered through a 2-input AND gate synchronous with the Low-to-High transition of the clock. The device features an asynchronous Master Reset which clears the register, setting all outputs Low independent of the clock.

Features

- Outputs Source/Sink 24 mA
- HD74ACT164 has TTL-Compatible Inputs

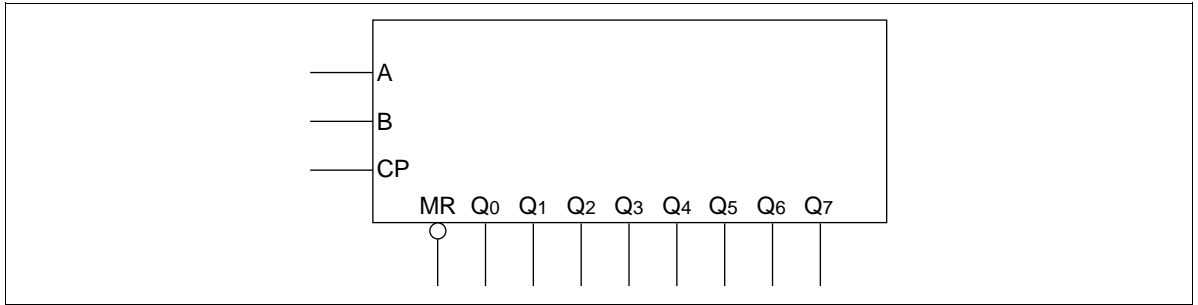
Pin Arrangement



(Top view)

HD74AC164/HD74ACT164

Logic Symbol



Pin Names

- A, B Data Inputs
- CP Clock Pulse Input (Active Rising Edge)
- $\overline{\text{MR}}$ Master Reset Input (Active Low)
- Q₀ to Q₇ Outputs

Functional Description

The HD74AC164/HD74ACT164 is an edge-triggered 8-bit shift register with serial data entry and an output from each of the eight stages. Data is entered serially through one of two inputs (A or B); either of these inputs can be used as an active High Enable for data entry through the other inputs. An unused input must be tied High.

Each Low-to-High transition on the Clock (CP) input shifts data one place to the right and enters into Q₀ the logical AND of the two data inputs (A•B) that existed before the rising clock edge. A Low level on the Master Reset ($\overline{\text{MR}}$) input overrides all other inputs and clears the register asynchronously, forcing all Q outputs Low.

Mode Select Table

Operating Mode	Inputs			Outputs	
	MR	A	B	Q ₀	Q ₁ to Q ₇
Reset (Clear)	L	X	X	L	L to L
Shift	H	L	L	L	q ₀ to q ₆
	H	L	H	L	q ₀ to q ₆
	H	H	L	L	q ₀ to q ₆
	H	H	H	H	q ₀ to q ₆

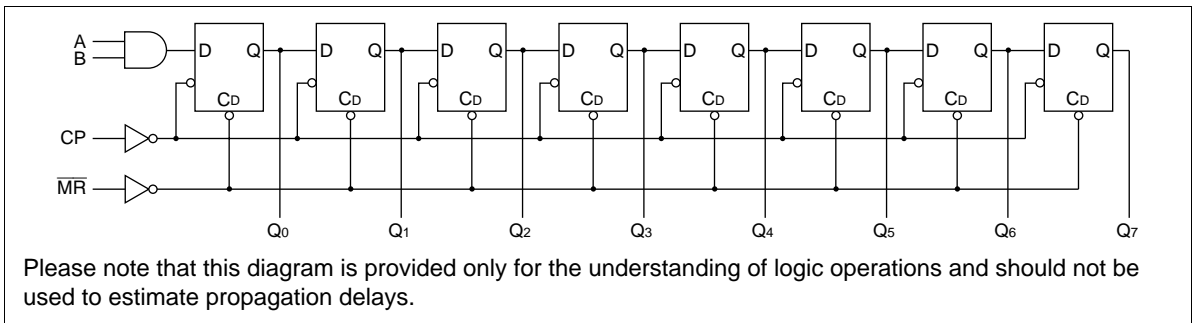
H : High Voltage Level

L : Low Voltage Level

X : Immaterial

q_n : Lower case letters indicate the state of the referenced input or output one setup time prior to the Low-to-High clock transition.

Logic Diagram



DC Characteristics (unless otherwise specified)

Item	Symbol	Max	Unit	Condition
Maximum quiescent supply current	I _{CC}	80	μA	V _{IN} = V _{CC} or ground, V _{CC} = 5.5 V, Ta = Worst case
Maximum quiescent supply current	I _{CC}	8.0	μA	V _{IN} = V _{CC} or ground, V _{CC} = 5.5 V, Ta = 25°C
Maximum additional I _{CC} /input (HD74ACT164)	I _{CC(T)}	1.5	mA	V _{IN} = V _{CC} - 2.1 V, V _{CC} = 5.5 V, Ta = Worst case

HD74AC164/HD74ACT164

AC Characteristics: HD74AC164

Item	Symbol	V _{CC} (V)* ¹	Ta = +25°C C _L = 50 pF			Ta = -40°C to +85°C C _L = 50 pF		Unit
			Min	Typ	Max	Min	Max	
Maximum clock frequency	f _{max}	3.3	125	—	—	100	—	MHz
		5.0	150	—	—	125	—	
Propagation delay CP to Q _n	t _{PLH}	3.3	1.0	8.5	13.0	1.0	13.5	ns
		5.0	1.0	6.5	10.0	1.0	10.5	
Propagation delay CP to Q _n	t _{PHL}	3.3	1.0	8.5	13.0	1.0	14.5	
		5.0	1.0	6.5	10.0	1.0	10.5	
Propagation delay \overline{MR} to Q _n	t _{PHL}	3.3	1.0	9.5	16.0	1.0	18.0	
		5.0	1.0	7.5	11.5	1.0	13.5	

Note: 1. Voltage Range 3.3 is 3.3 V ± 0.3 V
Voltage Range 5.0 is 5.0 V ± 0.5 V

AC Operating Requirements: HD74AC164

Item	Symbol	V _{CC} (V)* ¹	Ta = +25°C C _L = 50 pF		Ta = -40°C to +85°C C _L = 50 pF		Unit
			Typ	Guaranteed Minimum	Guaranteed Minimum	Guaranteed Minimum	
Setup time A or B to CP	t _{su}	3.3	3.0	5.5	6.0	ns	
		5.0	2.0	4.6	4.5		
Hold time CP to A or B	t _h	3.3	-1.5	0.0	0.0		
		5.0	-1.5	0.0	0.0		
Pulse width CP or \overline{MR}	t _w	3.3	2.0	5.5	7.0		
		5.0	2.0	4.5	5.0		
Recovery time \overline{MR} or CP	t _{rec}	3.3	-2.5	0.0	0.0		
		5.0	-1.5	0.0	0.0		

Note: 1. Voltage Range 3.3 is 3.3 V ± 0.3 V
Voltage Range 5.0 is 5.0 V ± 0.5 V

AC Characteristics: HD74ACT164

Item	Symbol	V _{CC} (V)*1	Ta = +25°C C _L = 50 pF			Ta = -40°C to +85°C C _L = 50 pF		Unit
			Min	Typ	Max	Min	Max	
Maximum clock frequency	f _{max}	5.0	100	—	—	80	—	MHz
Propagation delay CP to Q _n	t _{PLH}	5.0	1.0	9.0	11.5	1.0	12.5	ns
Propagation delay CP to Q _n	t _{PHL}	5.0	1.0	9.0	11.5	1.0	12.5	
Propagation delay MR to Q _n	t _{PHL}	5.0	1.0	9.5	13.0	1.0	14.5	

Note: 1. Voltage Range 5.0 is 5.0 V ± 0.5 V

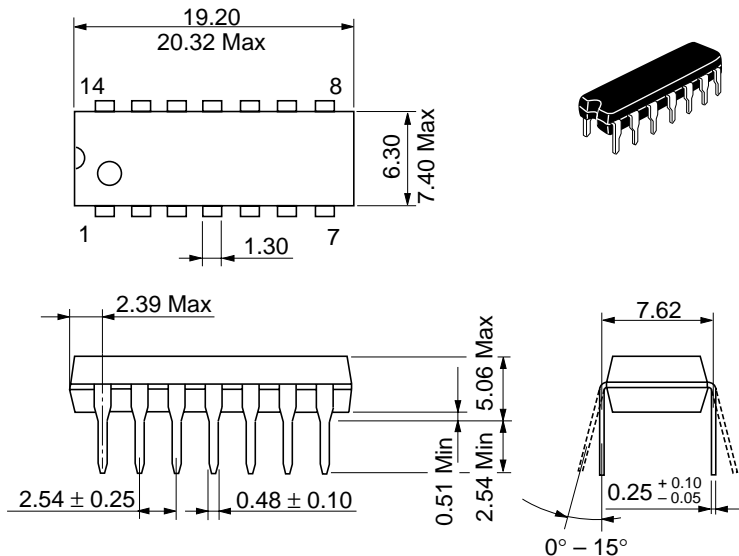
AC Operating Requirements: HD74ACT164

Item	Symbol	V _{CC} (V)*1	Ta = +25°C C _L = 50 pF		Ta = -40°C to +85°C C _L = 50 pF		Unit
			Typ	Guaranteed Minimum	Guaranteed Minimum	Guaranteed Minimum	
Setup time A or B to CP	t _{su}	5.0	2.5	7.0	8.0	8.0	ns
Hold time CP to A or B	t _h	5.0	0.0	1.5	1.5	1.5	
Pulse width CP or MR	t _w	5.0	4.5	7.0	7.0	8.0	
Recovery time MR or CP	t _{rec}	5.0	0.0	2.0	2.0	2.0	

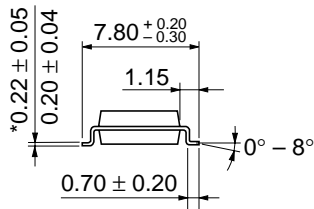
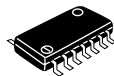
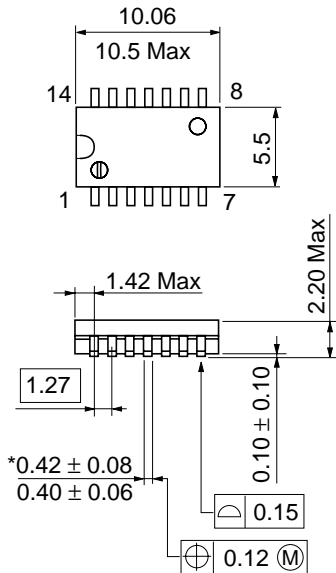
Note: 1. Voltage Range 5.0 is 5.0 V ± 0.5 V

Capacitance

Item	Symbol	Typ	Unit	Condition
Input capacitance	C _{IN}	4.5	pF	V _{CC} = 5.5 V
Power dissipation capacitance	C _{PD}	20.0	pF	V _{CC} = 5.0 V

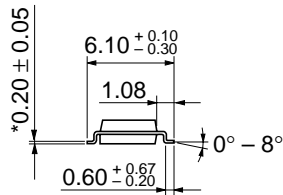
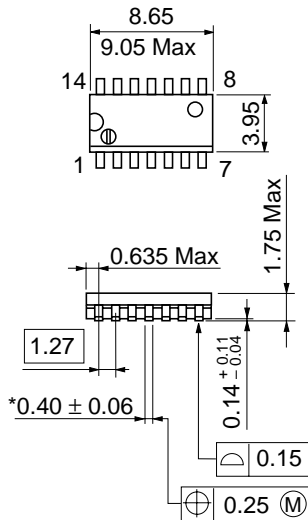


Hitachi Code	DP-14
JEDEC	Conforms
EIAJ	Conforms
Weight (reference value)	0.97 g

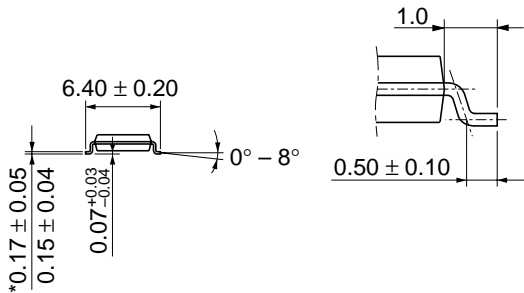
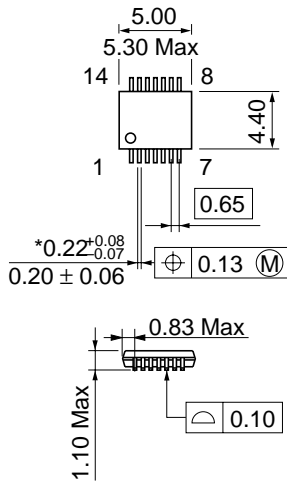


Hitachi Code	FP-14DA
JEDEC	—
EIAJ	Conforms
Weight (reference value)	0.23 g

*Dimension including the plating thickness
Base material dimension



Hitachi Code	FP-14DN
JEDEC	Conforms
EIAJ	Conforms
Weight (reference value)	0.13 g



*Dimension including the plating thickness
 Base material dimension

Hitachi Code	TTP-14D
JEDEC	—
EIAJ	—
Weight (reference value)	0.05 g

Cautions

1. Hitachi neither warrants nor grants licenses of any rights of Hitachi's or any third party's patent, copyright, trademark, or other intellectual property rights for information contained in this document. Hitachi bears no responsibility for problems that may arise with third party's rights, including intellectual property rights, in connection with use of the information contained in this document.
2. Products and product specifications may be subject to change without notice. Confirm that you have received the latest product standards or specifications before final design, purchase or use.
3. Hitachi makes every attempt to ensure that its products are of high quality and reliability. However, contact Hitachi's sales office before using the product in an application that demands especially high quality and reliability or where its failure or malfunction may directly threaten human life or cause risk of bodily injury, such as aerospace, aeronautics, nuclear power, combustion control, transportation, traffic, safety equipment or medical equipment for life support.
4. Design your application so that the product is used within the ranges guaranteed by Hitachi particularly for maximum rating, operating supply voltage range, heat radiation characteristics, installation conditions and other characteristics. Hitachi bears no responsibility for failure or damage when used beyond the guaranteed ranges. Even within the guaranteed ranges, consider normally foreseeable failure rates or failure modes in semiconductor devices and employ systemic measures such as fail-safes, so that the equipment incorporating Hitachi product does not cause bodily injury, fire or other consequential damage due to operation of the Hitachi product.
5. This product is not designed to be radiation resistant.
6. No one is permitted to reproduce or duplicate, in any form, the whole or part of this document without written approval from Hitachi.
7. Contact Hitachi's sales office for any questions regarding this document or Hitachi semiconductor products.

HITACHI

Hitachi, Ltd.

Semiconductor & Integrated Circuits.
Nippon Bldg., 2-6-2, Ohte-machi, Chiyoda-ku, Tokyo 100-0004, Japan
Tel: Tokyo (03) 3270-2111 Fax: (03) 3270-5109

URL North America : <http://semiconductor.hitachi.com/>
 Europe : <http://www.hitachi-eu.com/hel/ecg>
 Asia (Singapore) : <http://www.has.hitachi.com.sg/grp3/sicd/index.htm>
 Asia (Taiwan) : http://www.hitachi.com.tw/E/Product/SICD_Frame.htm
 Asia (HongKong) : <http://www.hitachi.com.hk/eng/bo/grp3/index.htm>
 Japan : <http://www.hitachi.co.jp/Sicd/indx.htm>

For further information write to:

Hitachi Semiconductor
(America) Inc.
179 East Tasman Drive,
San Jose, CA 95134
Tel: <1> (408) 433-1990
Fax: <1> (408) 433-0223

Hitachi Europe GmbH
Electronic components Group
Dornacher Straße 3
D-85622 Feldkirchen, Munich
Germany
Tel: <49> (89) 9 9180-0
Fax: <49> (89) 9 29 30 00

Hitachi Europe Ltd.
Electronic Components Group.
Whitebrook Park
Lower Cookham Road
Maidenhead
Berkshire SL6 8YA, United Kingdom
Tel: <44> (1628) 585000
Fax: <44> (1628) 778322

Hitachi Asia Pte. Ltd.
16 Collyer Quay #20-00
Hitachi Tower
Singapore 049318
Tel: 535-2100
Fax: 535-1533

Hitachi Asia Ltd.
Taipei Branch Office
3F, Hung Kuo Building, No.167,
Tun-Hwa North Road, Taipei (105)
Tel: <886> (2) 2718-3666
Fax: <886> (2) 2718-8180

Hitachi Asia (Hong Kong) Ltd.
Group III (Electronic Components)
7/F., North Tower, World Finance Centre,
Harbour City, Canton Road, Tsim Sha Tsui,
Kowloon, Hong Kong
Tel: <852> (2) 735 9218
Fax: <852> (2) 730 0281
Telex: 40815 HITEC HX

Copyright ' Hitachi, Ltd., 1999. All rights reserved. Printed in Japan.

HITACHI