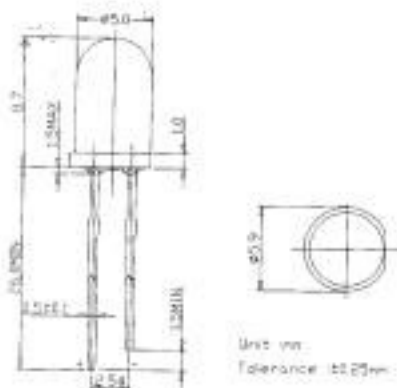


Features

- High Power LEDs
- 5mm Standard Directivity
- Superior Weather-resistance
- UV Resistant Epoxy
- Water Clear Type

Applications

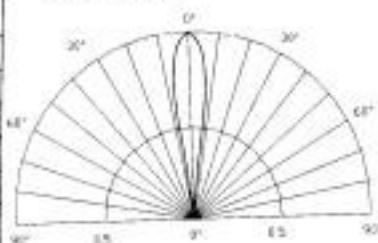
- Electronic Signs and Signals
- Illuminations
- Back Lighting

Outline Dimension

Absolute Maximum Rating

(Ta=25°C)

| Item | Sym | bol | Value | Unit |
|----------------------------|-----------|------------|------------|------|
| DC Forward Current | I_F | 25 | 25 | mA |
| Pulse Forward Current* | I_{FP} | 100 | 100 | mA |
| Reverse Voltage | V_R | 5 | 5 | V |
| Power Dissipation | P_D | 120 | 120 | mW |
| Operating Temperature | T_{opr} | -20 ~ +75 | -20 ~ +75 | °C |
| Storage Temperature | T_{stg} | -30 ~ +80 | -30 ~ +80 | °C |
| Lead Soldering Temperature | T_{sol} | 260°C/3sec | 260°C/3sec | - |

*Pulse width Max.10ms Duty ratio max 1/10

Directivity

Electrical -Optical Characteristics

(Ta=25°C)

| Item | Sy | mbol | Condition | Min. | Typ. | Max. | Unit |
|--------------------------|-----------------|------------|-----------|-------|------|------|------|
| DC Forward Voltage | V_f | $I_F=20mA$ | - | 3.6 | 4.2 | - | V |
| DC Reverse Current | I_R | $V_R=5V$ | - | - | - | 100 | μA |
| Luminous Intensity | I_v | $I_F=20mA$ | 14800 | 15000 | - | - | md |
| Chromaticity Coordinate* | x | $I_F=20mA$ | - | 0.31 | - | - | - |
| | y | $I_F=20mA$ | - | 0.32 | - | - | - |
| 50% Power Angle | $2\theta_{1/2}$ | $I_F=20mA$ | - | 15 | - | - | deg |

*Please refer to CIE 1931 chromaticity diagram.