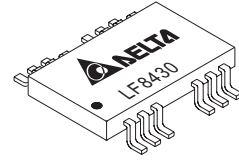




FAST ETHERNET 100BASE-TX PCMCIA TRANSFORMER MODULES

Networking Components

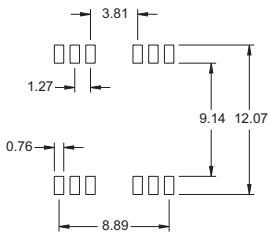
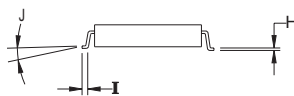
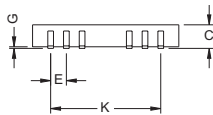
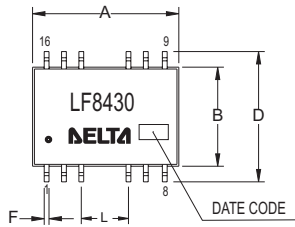


ELECTRICAL CHARACTERISTICS @25°C

Rise Time & Fall Time @5.0ns (Max), Hi-Pot Test @60Sec, 1500Vrms, OCL 350uH (Min)

Model	Insertion Loss (dB Max)	Return Loss (dB Min)				Cross Talk (dB Min)				Com. To Com. Rejection Ratio (dB Min)		Diff. To Com. Mode Rejection (dB Min)		Turns Ratio TX/RX (±5%)
		1~100 MHz	2~30 MHz	40 MHz	50~80 MHz	1 MHz	30 MHz	60 MHz	100 MHz	1~60 MHz	60~100 MHz	1~60 MHz	60~100 MHz	
	LF8430	-1.1	-18	-17	-14.5	-12	-65	-55	-45	-35	-40	-30	-40	-30

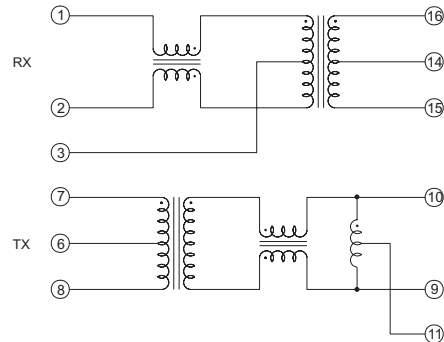
MECHANICAL CONSTRUCTION



UNIT : mm / inch

- A = 11.81±0.254 / 0.465±0.010
- B = 8.60±0.254 / 0.339±0.010
- C = 1.90±0.254 / 0.075±0.010
- D = 11.43±0.254 / 0.450±0.010
- E = 1.27 / 0.050 (TYP)
- F = 0.46±0.127 / 0.018±0.005
- G = 0.100 / 0.004 MIN
- H = 0.254 / 0.010 (TYP)
- I = 0.38~1.27 / 0.015~0.050
- J = 0° ~ 8°
- K = 8.89 / 0.350 (TYP)
- L = 3.81 / 0.150 (TYP)

SCHEMATICS



DELTA ELECTRONICS, INC.

(TAOYUAN PLANT CPBG) 252, SAN YING ROAD, KUEI SAN INDUSTRIAL ZONE, TAOYUAN SHIEN, TAIWAN, R.O.C.
 TEL: 886-3-3591968; FAX: 886-3-3591991
[Http://www.deltaww.com/products/networking](http://www.deltaww.com/products/networking)