

---

# HD74LV2G34A

Triple Noninverters

# HITACHI

ADE-205-345B (Z)

Rev.2  
July 2001

---

## Description

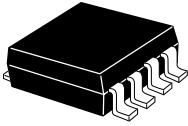
The HD74LV2G34A has triple noninverters in a 8 pin package. Low voltage and high speed operation is suitable for the battery powered products (e.g., notebook computers), and the low power consumption extends the battery life.

## Features

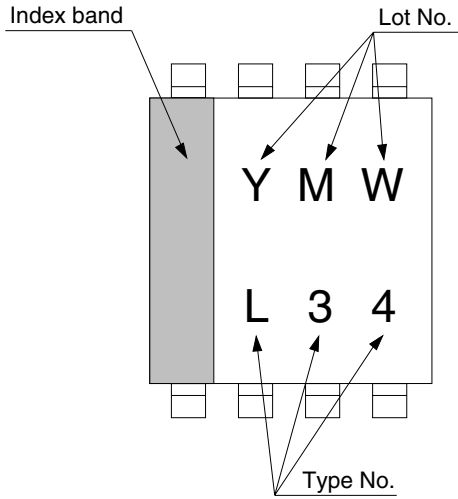
- The basic gate function is lined up as hitachi uni logic series.
- Supplied on emboss taping for high speed automatic mounting.
- Supply voltage range : 1.65 to 5.5 V  
Operating temperature range : -40 to +85°C
- All inputs  $V_{IH}$  (Max.) = 5.5 V (@ $V_{CC}$  = 0 V to 5.5 V)  
All outputs  $V_o$  (Max.) = 5.5 V (@ $V_{CC}$  = 0 V)
- Output current  $\pm 6$  mA (@ $V_{CC}$  = 3.0 V to 3.6 V),  $\pm 12$  mA (@ $V_{CC}$  = 4.5 V to 5.5 V)
- All the logical input has hysteresis voltage for the slow transition.

## Outline and Article Indication

- HD74LV2G34A



SSOP-8



Y : Year code  
(the last digit of year)  
M : Month code  
W : Week code

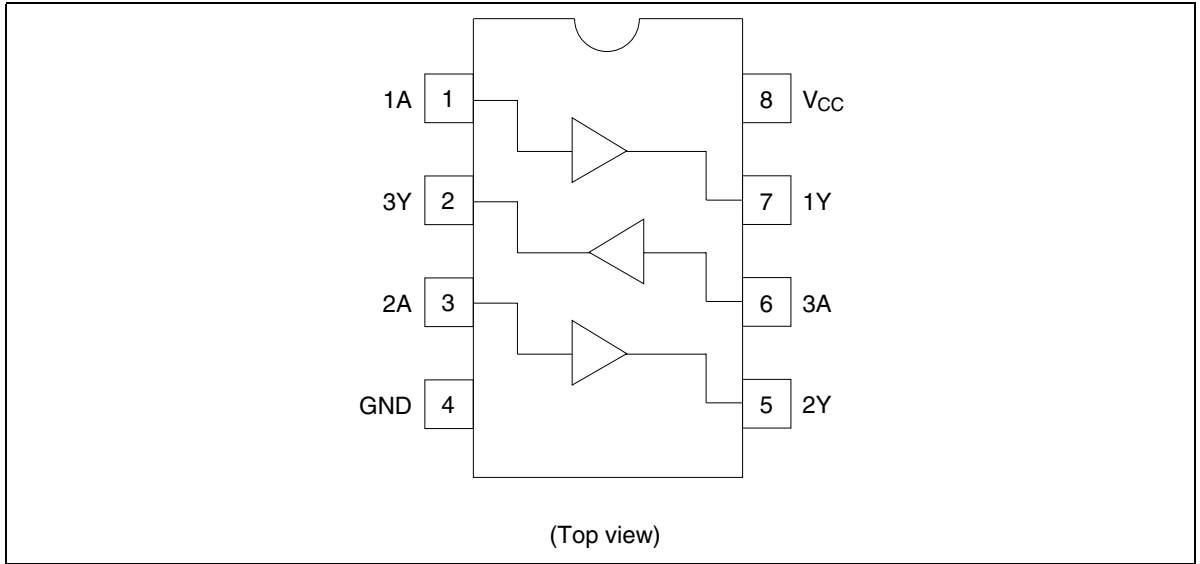
## Function Table

Input A	Output Y
H	H
L	L

H : High level

L : Low level

Pin Arrangement



Absolute Maximum Ratings

Item	Symbol	Ratings	Unit	Test Conditions
Supply voltage range	$V_{CC}$	-0.5 to 7.0	V	
Input voltage range <sup>1</sup>	$V_I$	-0.5 to 7.0	V	
Output voltage range <sup>1,2</sup>	$V_O$	-0.5 to $V_{CC} + 0.5$ -0.5 to 7.0	V	Output : H or L $V_{CC}$ : OFF
Input clamp current	$I_{IK}$	-20	mA	$V_I < 0$
Output clamp current	$I_{OK}$	$\pm 50$	mA	$V_O < 0$ or $V_O > V_{CC}$
Continuous output current	$I_O$	$\pm 25$	mA	$V_O = 0$ to $V_{CC}$
Continuous current through $V_{CC}$ or GND	$I_{CC}$ or $I_{GND}$	$\pm 50$	mA	
Maximum power dissipation at $T_a = 25^\circ\text{C}$ (in still air) <sup>3</sup>	$P_T$	200	mW	
Storage temperature	$T_{stg}$	-65 to 150	$^\circ\text{C}$	

Notes: The absolute maximum ratings are values which must not individually be exceeded, and furthermore no two of which may be realized at the same time.

1. The input and output voltage ratings may be exceeded if the input and output clamp-current ratings are observed.
2. This value is limited to 5.5 V maximum.
3. The maximum package power dissipation was calculated using a junction temperature of 150°C.

**Recommended Operating Conditions**

<b>Item</b>	<b>Symbol</b>	<b>Min</b>	<b>Max</b>	<b>Unit</b>	<b>Conditions</b>
Supply voltage range	$V_{cc}$	1.65	5.5	V	
Input voltage range	$V_I$	0	5.5	V	
Output voltage range	$V_O$	0	$V_{cc}$	V	
Output current	$I_{OL}$	—	1	mA	$V_{cc} = 1.65$ to $1.95$ V
		—	2		$V_{cc} = 2.3$ to $2.7$ V
		—	6		$V_{cc} = 3.0$ to $3.6$ V
		—	12		$V_{cc} = 4.5$ to $5.5$ V
	$I_{OH}$	—	-1		$V_{cc} = 1.65$ to $1.95$ V
		—	-2		$V_{cc} = 2.3$ to $2.7$ V
		—	-6		$V_{cc} = 3.0$ to $3.6$ V
		—	-12		$V_{cc} = 4.5$ to $5.5$ V
Input transition rise or fall rate	$\Delta t / \Delta v$	0	300	ns / V	$V_{cc} = 1.65$ to $1.95$ V
		0	200		$V_{cc} = 2.3$ to $2.7$ V
		0	100		$V_{cc} = 3.0$ to $3.6$ V
		0	20		$V_{cc} = 4.5$ to $5.5$ V
Operating free-air temperature	$T_a$	-40	85	°C	

Note: Unused or floating inputs must be held high or low.

**Electrical Characteristic**

- $T_a = -40$  to  $85^\circ\text{C}$

Item	Symbol	$V_{cc}$ (V) *	Min	Typ	Max	Unit	Test condition
Input voltage	$V_{IH}$	1.65 to 1.95	$V_{cc} \times 0.75$	—	—	V	
		2.3 to 2.7	$V_{cc} \times 0.7$	—	—		
		3.0 to 3.6	$V_{cc} \times 0.7$	—	—		
		4.5 to 5.5	$V_{cc} \times 0.7$	—	—		
	$V_{IL}$	1.65 to 1.95	—	—	$V_{cc} \times 0.25$		
		2.3 to 2.7	—	—	$V_{cc} \times 0.3$		
		3.0 to 3.6	—	—	$V_{cc} \times 0.3$		
		4.5 to 5.5	—	—	$V_{cc} \times 0.3$		
Hysteresis voltage	$V_H$	1.8	—	0.25	—	V	$V_T^+ - V_T^-$
		2.5	—	0.30	—		
		3.3	—	0.35	—		
		5.0	—	0.45	—		
Output voltage	$V_{OH}$	Min to Max	$V_{cc} - 0.1$	—	—	V	$I_{OH} = -50 \mu\text{A}$
		1.65	1.4	—	—		$I_{OH} = -1 \text{ mA}$
		2.3	2.0	—	—		$I_{OH} = -2 \text{ mA}$
		3.0	2.48	—	—		$I_{OH} = -6 \text{ mA}$
		4.5	3.8	—	—		$I_{OH} = -12 \text{ mA}$
	$V_{OL}$	Min to Max	—	—	0.1		$I_{OL} = 50 \mu\text{A}$
		1.65	—	—	0.3		$I_{OL} = 1 \text{ mA}$
		2.3	—	—	0.4		$I_{OL} = 2 \text{ mA}$
		3.0	—	—	0.44		$I_{OL} = 6 \text{ mA}$
		4.5	—	—	0.55		$I_{OL} = 12 \text{ mA}$
Input current	$I_{IN}$	0 to 5.5	—	—	$\pm 1$	$\mu\text{A}$	$V_{IN} = 5.5 \text{ V or GND}$
Quiescent supply current	$I_{CC}$	5.5	—	—	10	$\mu\text{A}$	$V_{IN} = V_{CC}$ or GND, $I_O = 0$
Output leakage current	$I_{OFF}$	0	—	—	5	$\mu\text{A}$	$V_I$ or $V_O = 0$ to 5.5 V
Input capacitance	$C_{IN}$	3.3	—	3.0	—	pF	$V_{IN} = V_{CC}$ or GND

Note: For conditions shown as Min or Max, use the appropriate values under recommended operating conditions.

## Switching Characteristics

- $V_{CC} = 1.8 \pm 0.15 \text{ V}$

Item	Symbol	$T_a = 25^\circ\text{C}$			$T_a = -40 \text{ to } 85^\circ\text{C}$		Unit	Test Conditions	FROM (Input)	TO (Output)
		Min	Typ	Max	Min	Max				
Propagation delay time	$t_{PLH}$	—	11.6	20.0	1.0	22.0	ns	$C_L = 15 \text{ pF}$	A	Y
	$t_{PHL}$	—	18.6	30.4	1.0	33.0		$C_L = 50 \text{ pF}$		

- $V_{CC} = 2.5 \pm 0.2 \text{ V}$

Item	Symbol	$T_a = 25^\circ\text{C}$			$T_a = -40 \text{ to } 85^\circ\text{C}$		Unit	Test Conditions	FROM (Input)	TO (Output)
		Min	Typ	Max	Min	Max				
Propagation delay time	$t_{PLH}$	—	7.0	11.7	1.0	14.0	ns	$C_L = 15 \text{ pF}$	A	Y
	$t_{PHL}$	—	10.5	15.5	1.0	18.0		$C_L = 50 \text{ pF}$		

- $V_{CC} = 3.3 \pm 0.3 \text{ V}$

Item	Symbol	$T_a = 25^\circ\text{C}$			$T_a = -40 \text{ to } 85^\circ\text{C}$		Unit	Test Conditions	FROM (Input)	TO (Output)
		Min	Typ	Max	Min	Max				
Propagation delay time	$t_{PLH}$	—	5.0	7.1	1.0	8.5	ns	$C_L = 15 \text{ pF}$	A	Y
	$t_{PHL}$	—	7.5	10.6	1.0	12.0		$C_L = 50 \text{ pF}$		

- $V_{CC} = 5.0 \pm 0.5 \text{ V}$

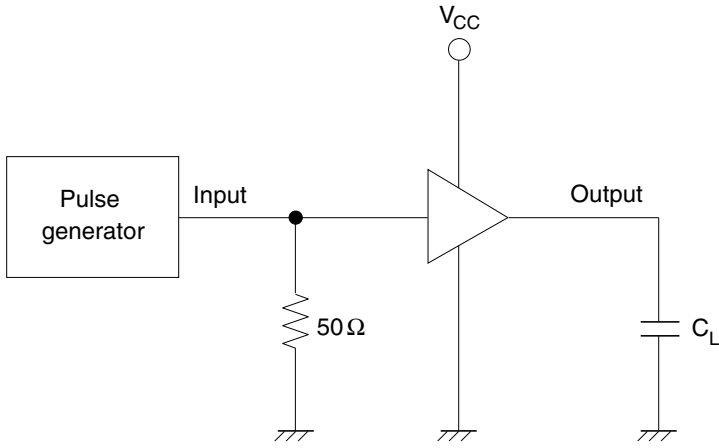
Item	Symbol	$T_a = 25^\circ\text{C}$			$T_a = -40 \text{ to } 85^\circ\text{C}$		Unit	Test Conditions	FROM (Input)	TO (Output)
		Min	Typ	Max	Min	Max				
Propagation delay time	$t_{PLH}$	—	3.8	5.5	1.0	6.5	ns	$C_L = 15 \text{ pF}$	A	Y
	$t_{PHL}$	—	5.3	7.5	1.0	8.5		$C_L = 50 \text{ pF}$		

## Operating Characteristics

- $C_L = 50 \text{ pF}$

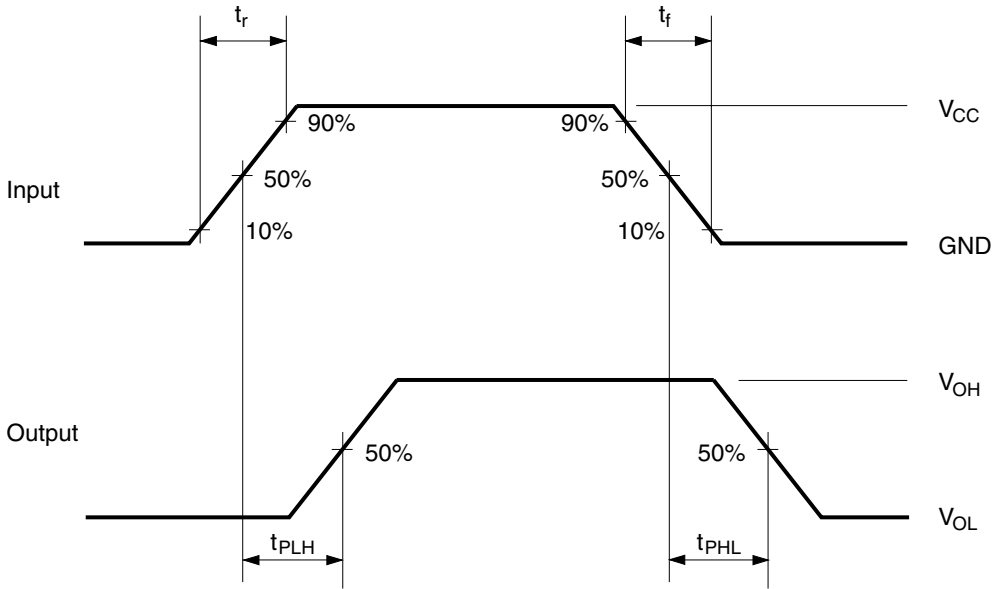
Item	Symbol	$V_{CC} \text{ (V)}$	$T_a = 25^\circ\text{C}$			Unit	Test Conditions
			Min	Typ	Max		
Power dissipation capacitance	$C_{PD}$	3.3	—	8.5	—	pF	$f = 10 \text{ MHz}$
			5.0	—	10.0		

Test Circuit



Note:  $C_L$  includes probe and jig capacitance.

• Waveforms

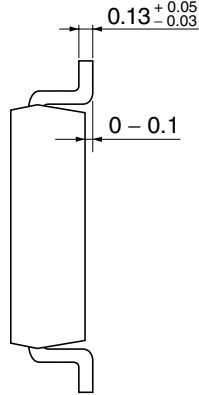
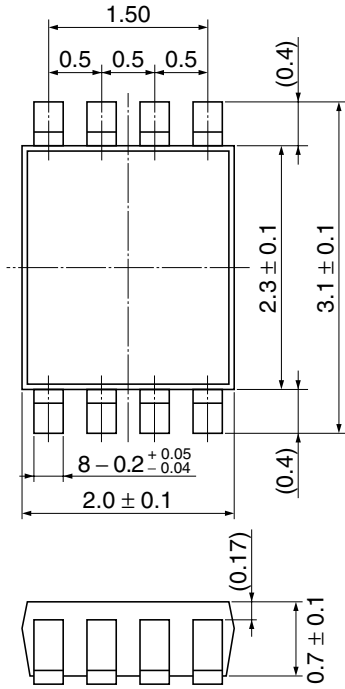


- Notes: 1. Input waveform : PRR  $\leq$  1 MHz,  $Z_o = 50 \Omega$ ,  $t_r \leq 3$  ns,  $t_f \leq 3$  ns.  
 2. The output are measured one at a time with one transition per measurement.

## Package Dimensions

As of January, 2001

Unit: mm



Hitachi Code	TTP-8DB
JEDEC	—
EIAJ	—
Mass (reference value)	0.25 g



## Disclaimer

1. Hitachi neither warrants nor grants licenses of any rights of Hitachi's or any third party's patent, copyright, trademark, or other intellectual property rights for information contained in this document. Hitachi bears no responsibility for problems that may arise with third party's rights, including intellectual property rights, in connection with use of the information contained in this document.
2. Products and product specifications may be subject to change without notice. Confirm that you have received the latest product standards or specifications before final design, purchase or use.
3. Hitachi makes every attempt to ensure that its products are of high quality and reliability. However, contact Hitachi's sales office before using the product in an application that demands especially high quality and reliability or where its failure or malfunction may directly threaten human life or cause risk of bodily injury, such as aerospace, aeronautics, nuclear power, combustion control, transportation, traffic, safety equipment or medical equipment for life support.
4. Design your application so that the product is used within the ranges guaranteed by Hitachi particularly for maximum rating, operating supply voltage range, heat radiation characteristics, installation conditions and other characteristics. Hitachi bears no responsibility for failure or damage when used beyond the guaranteed ranges. Even within the guaranteed ranges, consider normally foreseeable failure rates or failure modes in semiconductor devices and employ systemic measures such as fail-safes, so that the equipment incorporating Hitachi product does not cause bodily injury, fire or other consequential damage due to operation of the Hitachi product.
5. This product is not designed to be radiation resistant.
6. No one is permitted to reproduce or duplicate, in any form, the whole or part of this document without written approval from Hitachi.
7. Contact Hitachi's sales office for any questions regarding this document or Hitachi semiconductor products.

## Sales Offices

# HITACHI

### Hitachi, Ltd.

Semiconductor & Integrated Circuits  
Nippon Bldg., 2-6-2, Ohte-machi, Chiyoda-ku, Tokyo 100-0004, Japan  
Tel: (03) 3270-2111 Fax: (03) 3270-5109

URL	NorthAmerica	: <a href="http://semiconductor.hitachi.com/">http://semiconductor.hitachi.com/</a>
	Europe	: <a href="http://www.hitachi-eu.com/hel/ecg">http://www.hitachi-eu.com/hel/ecg</a>
	Asia	: <a href="http://sicapac.hitachi-asia.com">http://sicapac.hitachi-asia.com</a>
	Japan	: <a href="http://www.hitachi.co.jp/Sicd/indx.htm">http://www.hitachi.co.jp/Sicd/indx.htm</a>

### For further information write to:

Hitachi Semiconductor (America) Inc. 179 East Tasman Drive San Jose, CA 95134 Tel: <1>(408) 433-1990 Fax: <1>(408) 433-0223	Hitachi Europe Ltd. Electronic Components Group Whitebrook Park Lower Cookham Road Maidenhead Berkshire SL6 8YA, United Kingdom Tel: <44> (1628) 585000 Fax: <44> (1628) 585200
	Hitachi Europe GmbH Electronic Components Group Domacher StraÙe 3 D-85622 Feldkirchen, Munich Germany Tel: <49> (89) 9 9180-0 Fax: <49> (89) 9 29 30 00

Hitachi Asia Ltd. Hitachi Tower 16 Collyer Quay #20-00 Singapore 049318 Tel : <65>-538-6533/538-8577 Fax : <65>-538-6933/538-3877 URL : <a href="http://www.hitachi.com.sg">http://www.hitachi.com.sg</a>	Hitachi Asia Ltd. (Taipei Branch Office) 4/F, No. 167, Tun Hwa North Road Hung-Kuo Building Taipei (105), Taiwan Tel : <886>-(2)-2718-3666 Fax : <886>-(2)-2718-8180 Telex : 23222 HAS-TP URL : <a href="http://www.hitachi.com.tw">http://www.hitachi.com.tw</a>
---	---

Hitachi Asia (Hong Kong) Ltd. Group III (Electronic Components) 7/F., North Tower World Finance Centre, Harbour City, Canton Road Tsim Sha Tsui, Kowloon Hong Kong Tel : <852>-(2)-735-9218 Fax : <852>-(2)-730-0281 URL : <a href="http://semiconductor.hitachi.com.hk">http://semiconductor.hitachi.com.hk</a>
---

Copyright © Hitachi, Ltd., 2001. All rights reserved. Printed in Japan.  
Colophon 4.0