

www.DataSheet4U.com



團隊 · 熱誠 · 專業



# MStar Semiconductor

● Teamwork - 以人為本、團隊合作    ● Enthusiasm - 誠摯服務、重視承諾    ● Expertise - 專業行銷、經營亞太

Your Connection to Success



品佳股份有限公司

# Company Profile

- **MStar Semiconductor** is a dedicated mixed signal and display IC design house located in Hsinchu Taiwan
- **Team:** More than 30 mixed signal designers with key team members from mixed signal design group of TI, Dallas
- **History:** The design team joined System General from TSMC in 2002, then spun off from SG company in 5/02 to form MStar
- **Products:** Flat Panel Display IC ,Mixed Signal ASIC
- **Finance:** Capital NT\$175M
- **Revenue:** Y2002 NT\$280M  
Y2003 NT\$720M(Plan)

● Teamwork - 以人為本、團隊合作    ● Enthusiasm - 誠摯服務、重視承諾    ● Expertise - 專業行銷、經營亞太

*Your Connection to Success*

**Mstar**  
SEMICONDUCTOR



品佳股份有限公司

# Product Family



**ADC only**

**110-205 MHz**



**LCD**

**All in One controller**



**TV / Video**

LCD TV Controller  
Video decoder  
De-interlace  
HDTV

**Mixed Signal  
SOC IC design**



**Mixed Signal ASIC IC**

● Teamwork - 以人為本、團隊合作    ● Enthusiasm - 誠摯服務、重視承諾    ● Expertise - 專業行銷、經營亞太

*Your Connection to Success*



品佳股份有限公司

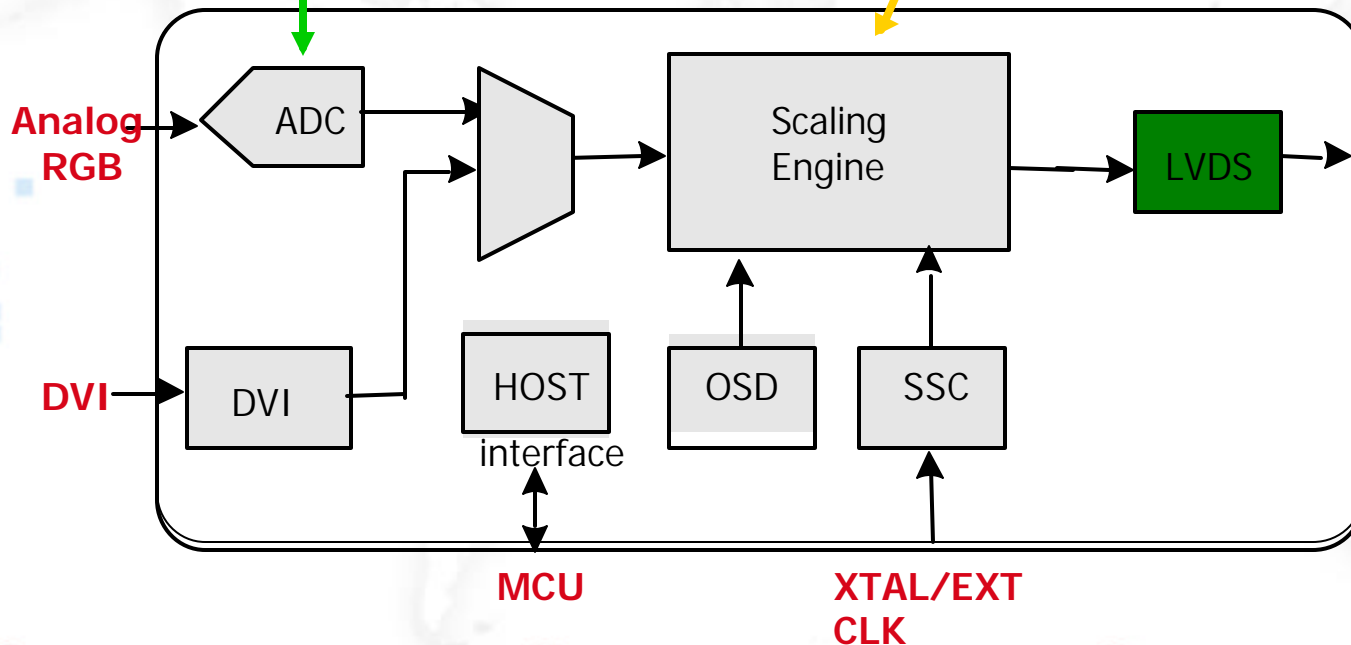
# MStar Product Lineup

## ADC

- SG9884A-110
- SG9884A-140
- MST9883-110
- MST9883-140
- MST9888-170
- MST9888-205

## Single Chip

- MST9010S (XGA)
- MST9015S (XGA)
- MST9111 (SXGA)
- MST9131 (SXGA)
- MST9151 (SXGA)
- MST8016 (XGA)
- MST8036 (XGA)



● Teamwork - 以人為本、團隊合作    ● Enthusiasm - 誠摯服務、重視承諾    ● Expertise - 專業行銷、經營亞太

# Single-Chip Product Lineup



MST9xxx

Header

Resolution

Input

Output

**MST 9**

0 : XGA

1 : SXGA

1 : ADC

2 : DVI(TMDS)

3 : DUAL

4 : ADC\*2

5 : ADC\*2 + DVI

0 : TTL w/o Tcon

1 : LVDS w/o Tcon

5 : TTL w/ Tcon

6 : RSDS w/ Tcon

**MST 8**

new RSDS/LVDS serie

● Teamwork - 以人為本、團隊合作 ● Enthusiasm - 誠摯服務、重視承諾 ● Expertise - 專業行銷、經營亞太

Your Connection to Success



品佳股份有限公司

# ADC(A/D Converter) Key Features

- **110 MSPS/140 MSPS Maximum Conversion Sampling Rate**
- **Integrated 5-bit pixel clock phase adjustment**
- **Integrated clamp with timing generator**
- **Integrated Brightness & Contrast controls**
- **Full Sync Processing**
- **Mid-scale Clamping**
- **Pin compatible with AD9883A/AD9884A**

● Teamwork - 以人為本、團隊合作    ● Enthusiasm - 誠摯服務、重視承諾    ● Expertise - 專業行銷、經營亞太

*Your Connection to Success*

**Mstar**  
SEMICONDUCTOR



品佳股份有限公司

# Single Chip Key Features

- ADC up to 135MHz (SXGA)
- DVI 1.0 compliant up to 1.65GHz
- LVDS TX up to 700MHz, measured Jitter < 100ps
- RSDS Panel support with timing controller
- Integrated 7414, Integrated DDC
- Low EMI with Spread Spectrum Clocking
- Multi-color OSD supported (16 colors)
- sRGB support (compliant with Microsoft)
- Lowest standby power < 0.05W (SOG supported)
- 128 pin QFP package -> Small board size
- Shared firmware and hardware between 15" and 17", analog and dual models

● Teamwork - 以人為本、團隊合作    ● Enthusiasm - 誠摯服務、重視承諾    ● Expertise - 專業行銷、經營亞太

*Your Connection to Success*

**Mstar**  
SEMICONDUCTOR



品佳股份有限公司

# Commitment

- ❖ Superior Quality
- ❖ Superior Service
- ❖ Constant Innovation
- ❖ Long Term Partnership
- ❖ Price Competitive

● Teamwork - 以人為本、團隊合作    ● Enthusiasm - 誠摯服務、重視承諾    ● Expertise - 專業行銷、經營亞太

*Your Connection to Success*

**Mstar**  
SEMICONDUCTOR



品佳股份有限公司