



- LOW CURRENT CONSUMPTION, IN ORDER TO ALLOW THE PARALLEL OPERATION OF 4 DEVICES
- INTEGRATED RECTIFIER BRIDGE WITH ZENER DIODES TO PROTECT AGAINST OVERVOLTAGES
- LITTLE EXTERNAL CIRCUITRY
- TONE AND SWITCHING FREQUENCIES ADJUSTABLE BY EXTERNAL COMPONENTS
- INTEGRATED VOLTAGE AND CURRENT HYSTERESIS

DESCRIPTION

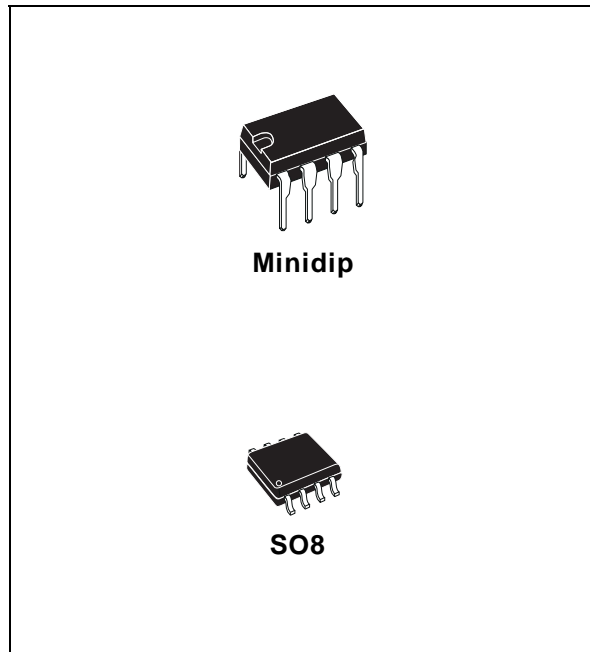
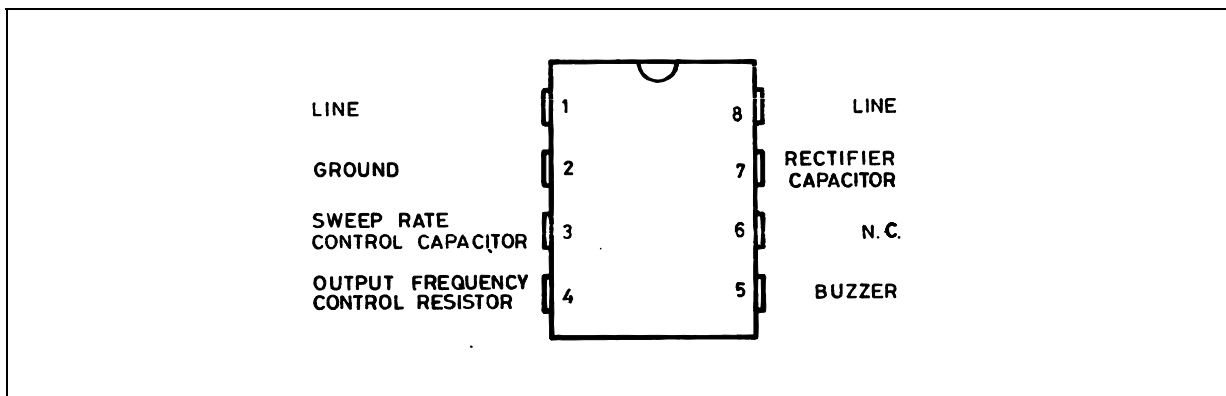
LS1240A is a monolithic integrated circuit designed to replace the mechanical bell in telephone sets in connection with an electro-acoustical converter. It can drive directly a piezoceramic converter (buzzer) or a dynamic loudspeaker.

The output current capability of LS1240A is higher than standard ringer. For driving a dynamic loudspeaker LS1240A can simply use a decoupling capacitor, thus eliminating the usual transformer.

No current limitation is provided on the output stage of LS1240A, so a minimum load DC of 50 Ω is advised, in series with a proper capacitor.

The two tone frequencies generated are switched by an internal oscillator in a fast sequence and made audible across an output amplifier in the loudspeaker, both tone frequencies and the switching frequency can be externally adjusted.

PIN CONNECTION (top view)



ORDERING NUMBERS

Minidip	SO8
LS1240A	LS1240AD1

The supply voltage is obtained from the AC ring signal and the circuit is designed so that noise on the line or variations of the ringing signal cannot affect correct operation of the device.

BLOCK DIAGRAM

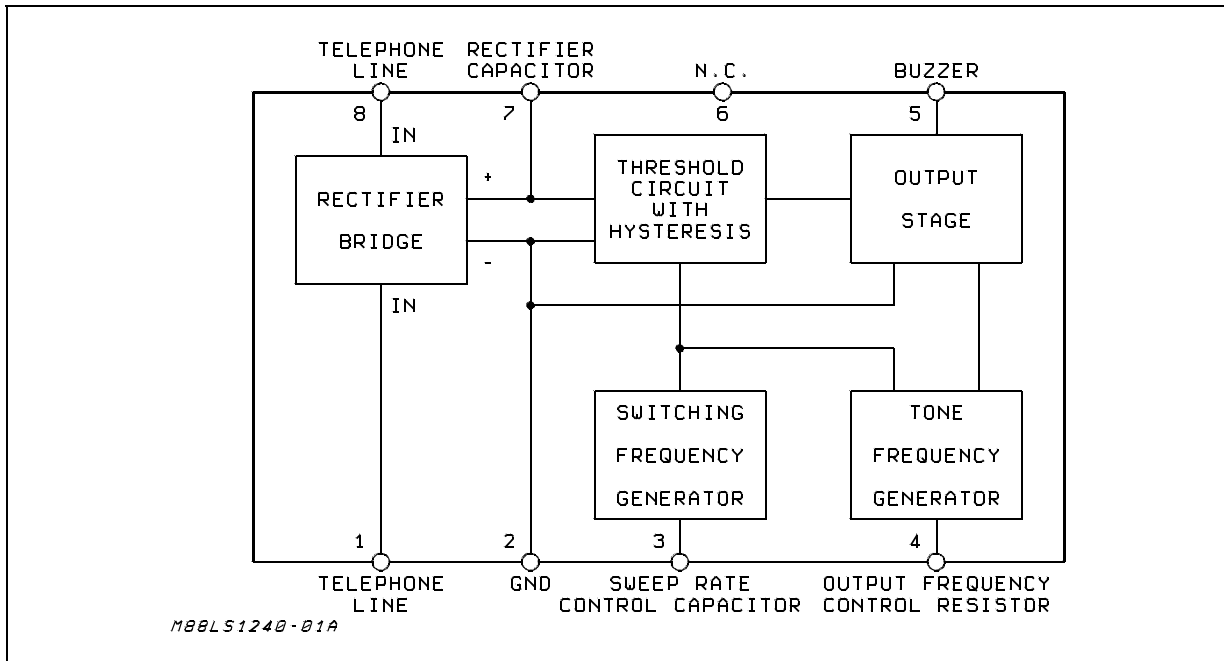
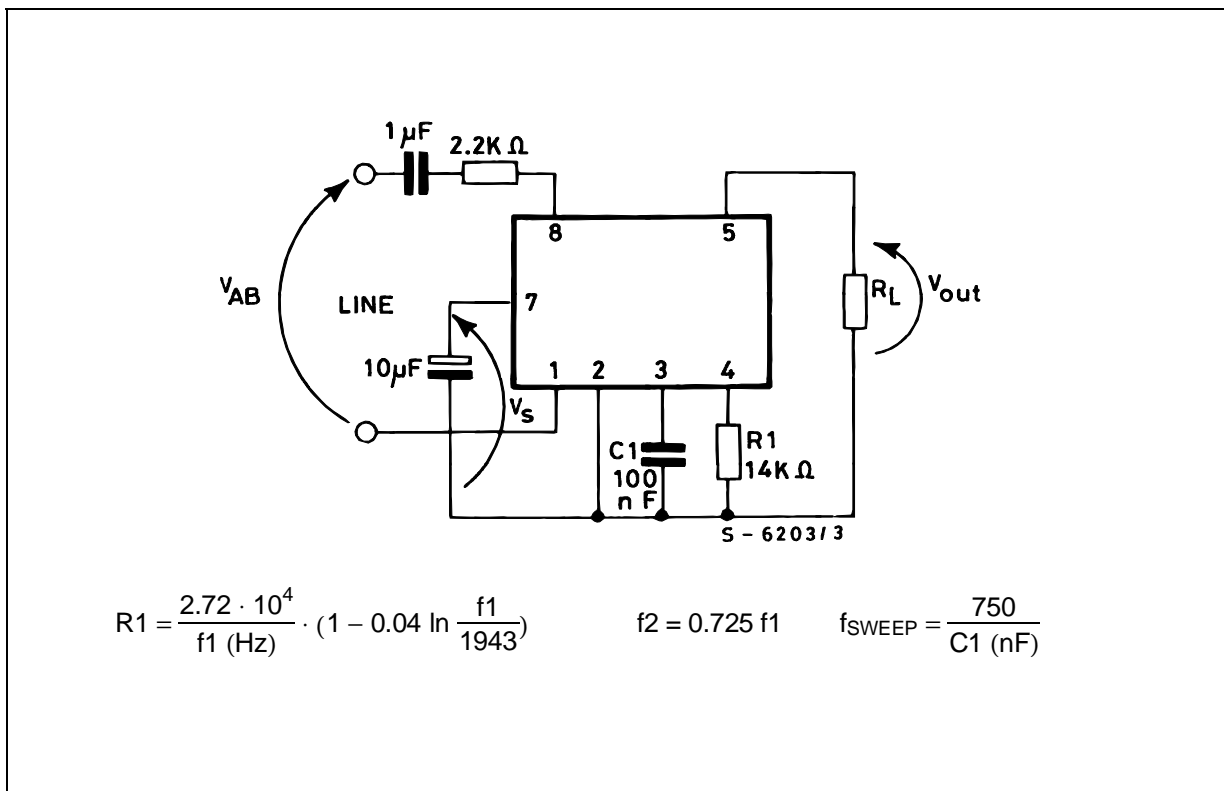


Figure 1 : Test Circuit.



ABSOLUTE MAXIMUM RATINGS

Symbol	Parameter	Value	Unit
V _{AB}	Calling Voltage (f = 50 Hz) Continuous	120	V _{rms}
V _{AB}	Calling Voltage (f = 50 Hz) 5s ON/10s OFF	200	V _{rms}
DC	Supply Current	30	mA
T _{op}	Operating Temperature	-20 to + 70	°C
T _{stg}	Storage and Junction Temperature	- 65 to + 150	°C

THERMAL DATA

Symbol	Parameter	Value	Unit
R _{th j-amb}	Thermal Resistance Junction-ambient	Max 2.00	°C/W

ELECTRICAL CHARACTERISTICS

(T_{amb} = 25 °C; V_s = applied between pins 7-2 unless otherwise specified)

Symbol	Parameter	Test Conditions	Min.	Typ.	Max.	Unit
V _s	Supply Voltage				26	V
I _B	Current Consumption without Load (pins 8-1)	V ₈₋₁ = 9.3 to 25 V		1.5	1.8	mA
V _{ON}	Activation Voltage		12		13.5	V
V _{OFF}	Sustaining Voltage		7.8		9.3	V
R _D	Differential Resistance in OFF Condition (pins 8-1)		6.4			kΩ
V _{OUT}	Output Voltage Swing			V _s - 5		V
I _{OUT}	Short Circuit Current (pins 5-2)	V _s = 20V R _L = 250Ω		70		mA

AC OPERATION

f ₁ f ₂	Output Frequencies f _{out1} f _{out2}	V _s = 26V, R ₁ = 14kΩ V _s = 0 V V _s = 6V	1.55 1.08		2.53 1.9	kHz
	f _{OUT1} f _{OUT2}		1.33		1.43	
	Programming Resistor Range		8		56	kΩ
f _{SWEEP}	Sweep Frequency	R ₁ = 14kΩ, C ₁ = 100nF	5.25	7.5	9.75	Hz

Figure 2 : Typical Application with BUZZER

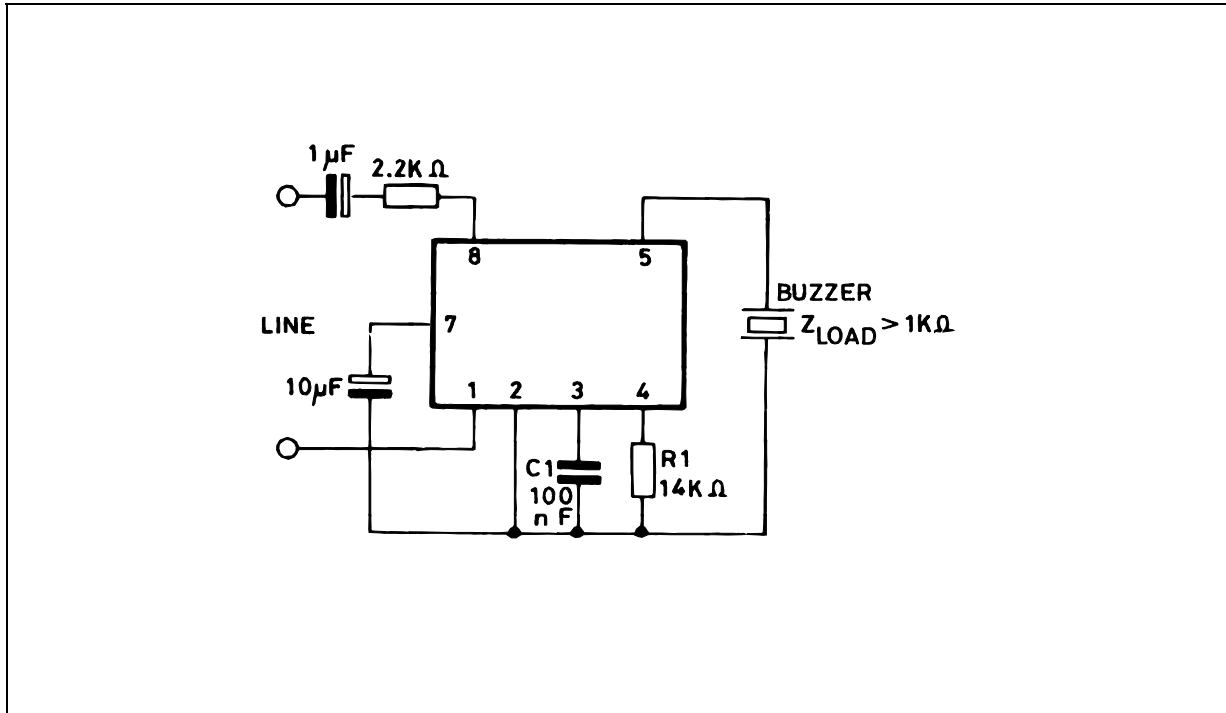


Figure 3 : Typical Application with Loudspeaker (no transformer needed)

