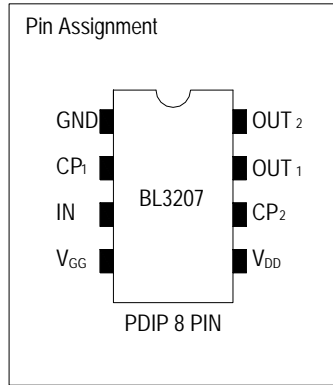


Description

The BL3207A/B is a 1024-stage low voltage operation, and low noise BBD variable delay line in audio frequency range. The device operates on +5V to +10V supply and provides a signal delay up to 51.2ms.



Features

- Adjustable audio signal delay time range: 2.56ms-51.2ms
- Wide supply voltage range: 4V-10V
- Typical insertion loss: $L_i=0\text{dB}$
- Wide dynamic range: $S/N=73\text{dB}(\text{type})$
- Low distortion: $\text{THD}=0.4\%(\text{type})$
- Clock frequency range: 10kHz-200kHz
- N-channel silicon gate process
- 8-pin plastic DIP

Application

KARAOKE, TV, VCR. Radio-Cassette Tape Recorder etc.

Application Circuit

