

AN5170K

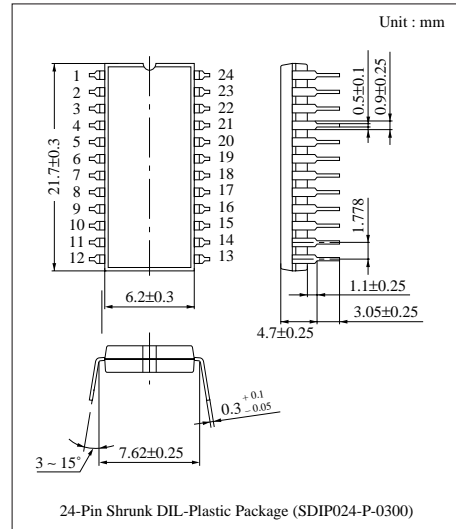
VIF/SIF signal processor IC for TV and VCR

Overview

The AN5170K is a VIF/SIF signal processor IC for NTSC TVs and VCRs. The SIF part needs no coil and requires no adjustment. The AFT part needs no coil, and is adopted quasi-separate sound (QSS) method.

Features

- The SIF part adopts PLL detection, needs no coil, and requires no adjustment.
- The AFT part uses APC voltage, eliminating the need of a coil.
- QSS technique is employed for better buzz characteristics and audio sensitivity.
- EQ amplifier is used for video frequency-characteristics correction.
- Low power consumption (5.0V, 48mA)
- The AFT output circuit has its own power supply, V_{CC2} (from V_{CC1} to 12.5V), to be compatible with various types of tuners.



Block Diagram

