

## 20W BTL×2CH AUDIO POWER AMPLIFIER

The thermal resistance  $\theta_{j-T}$  of TA8210AH, TA8210AL package designed for low thermal resistance, has a high efficiency of heat radiation.

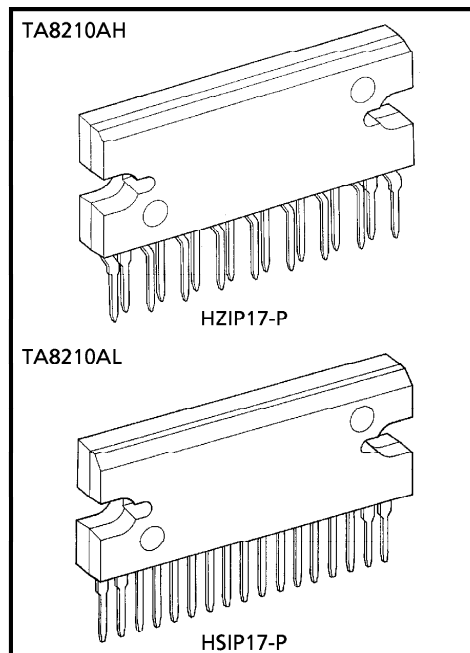
The temperature rise of chip can be reduced, and the influence from the degradation of the features due to the temperature rise at the high output can also be reduced.

This stereo audio power IC, designed for car audio use, has two built-in channels to reduce the characteristic difference between L and R channels.

In addition, the functions of stand-by and muting, and a variety of protection circuits are involved.

### FEATURES

- Low Thermal Resistance  
:  $\theta_{j-T} = 1.5^{\circ}\text{C/W}$  (Infinite Heat Sink)
- High Power  
:  $P_{OUT} (1) = 22\text{W (Typ.) / Channel}$   
( $V_{CC} = 14.4\text{V}$ ,  $f = 1\text{kHz}$ ,  $\text{THD} = 10\%$ ,  $R_L = 4\Omega$ )  
 $P_{OUT} (2) = 19\text{W (Typ.) / Channel}$   
( $V_{CC} = 13.2\text{V}$ ,  $f = 1\text{kHz}$ ,  $\text{THD} = 10\%$ ,  $R_L = 4\Omega$ )
- Low Distortion Ratio :  $\text{THD} = 0.04\% \text{ (Typ.)}$  ( $V_{CC} = 13.2\text{V}$ ,  $f = 1\text{kHz}$ ,  $P_{OUT} = 1\text{W}$ ,  $R_L = 4\Omega$ ,  $G_V = 50\text{dB}$ )
- Low Noise :  $V_{NO} = 0.30\text{mV}_{\text{rms}} \text{ (Typ.)}$  ( $V_{CC} = 13.2\text{V}$ ,  $R_L = 4\Omega$ ,  $G_V = 50\text{dB}$ ,  $R_g = 0\Omega$ ,  $\text{BW} = 20\text{Hz} \sim 20\text{kHz}$ )
- Built-in Stand-by Function (With pin④ set a LOW, power is turned OFF.) :  $I_{SB} = 1\mu\text{A} \text{ (Typ.)}$
- Built-in Muting Function (With pin① set at LOW, power is turned OFF.) :  $V_{(\text{Mute})} = 1\text{V} \text{ (Typ.)}$
- Built-in Various Protection Circuits  
Protection circuits : Thermal Shut Down, over voltage, out→ $V_{CC}$  short, out→GND short and OUT-OUT Short.
- Operating Supply Voltage :  $V_{CC} = 9 \sim 18\text{V}$



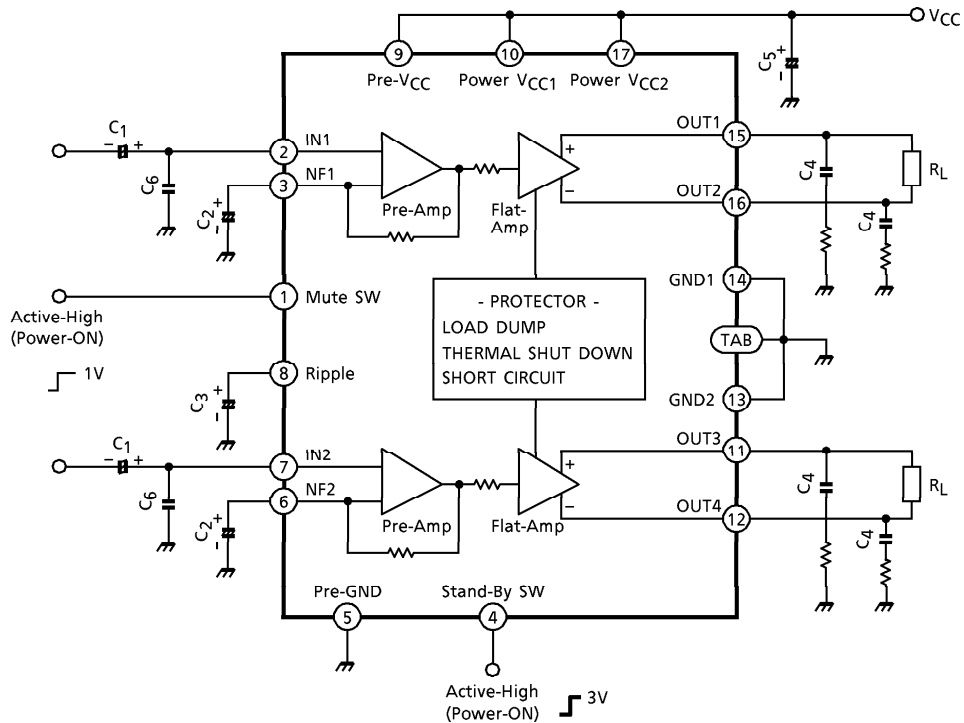
Weight HZIP17-P : 9.8g (Typ.)  
HSIP17-P : 9.8g (Typ.)

① The information contained herein is presented only as a guide for the applications of our products. No responsibility is assumed by TOSHIBA CORPORATION for any infringements of intellectual property or other rights of the third parties which may result from its use. No license is granted by implication or otherwise under any intellectual property or other rights of TOSHIBA CORPORATION or others.

② These TOSHIBA products are intended for use in general commercial applications (office equipment, communication equipment, measuring equipment, domestic appliances, etc.). please make sure that you consult with us before you use these TOSHIBA products in equipment which requires extraordinarily high quality and/or reliability, and in equipment which may involve life threatening or critical application, including but not limited to such uses as atomic energy control, airplane or spaceship instrumentation, traffic signals, medical instrumentation, combustion control, all types of safety devices, etc. TOSHIBA cannot accept and hereby disclaims liability for any damage which may occur in case the TOSHIBA products are used in such equipment or applications without prior consultation with TOSHIBA.

**BLOCK DIAGRAM**

TA8210AH, TA8210AL ( $G_V = 50\text{dB}$ )



**CAUTIONS AND APPLICATION METHOD**

(Description is made only on the single channel.)

1. Voltage gain adjustment

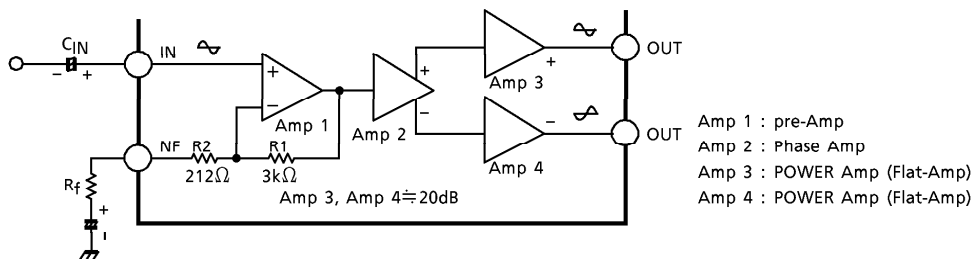


Fig.1

This IC has the amplifier construction as shown in Fig.1. The Pre-Amp (Amp 1) is provided to the primary stage, and the input voltage is amplified by the Flat Amps, Amp 3 and Amp 4 of each channel through the phase Amp (Amp 2). Since the input offset is prevented by Pre-Amp when  $V_{CC}$  is set to ON, this circuit can remarkably reduce the pop noise.

The total closed loop gain  $G_V$  of this IC can be obtained by expression below when the closed loop voltage gain of Amp 1 is  $G_{V1}$ .

$$G_{V1} = 20 \log \frac{R1 + (R_f + R2)}{R_f + R2} \text{ (dB) } \dots\dots (1)$$

The closed loop voltage gain of POWER Amp, Amp 3 and Amp 4 is fixed at  $G_{V3} \doteq G_{V4} = 20\text{dB}$ .

Therefore, the total closed circuit voltage gain  $G_V$  is obtained through BTL connection by the expression below.

$$G_V = G_{V1} + G_{V3} + 6 \text{ (dB) } \dots\dots\dots (2)$$

For example, when  $R_f = 0\Omega$ ,  $G_V$  is obtained by the expressions (1) and (2) as shown below.

$$G_V \doteq 24 + 20 + 6 = 50\text{dB}$$

The voltage gain is reduced when  $R_f$  is increased. (Fig.2) With the voltage gain reduced, since (1) the oscillation stability is reduced, and (2) the pop noise changes when  $V_{CC}$  is set to ON, refer to the items 3 and 4.

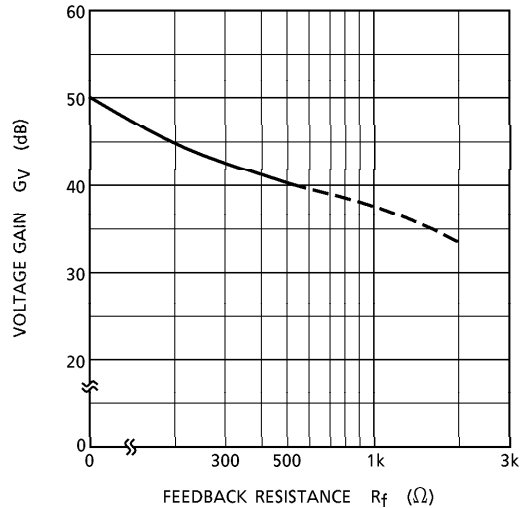


Fig.2

2. Stand-by SW function

By means of controlling pin④ (Stand-by terminal) to High and Low, the power supply can be set to ON and OFF. The threshold voltage of pin④ is set at 2.1V ( $3V_{BE}$ ), and the Power Supply current is about  $1\mu\text{A}$  (Typ.) at the stand-by state.

Pin④ control voltage :  $V_{(SB)}$

STAND-BY	POWER	$V_{(SB)}$ (V)
ON	OFF	0~2
OFF	ON	3~ $V_{CC}$

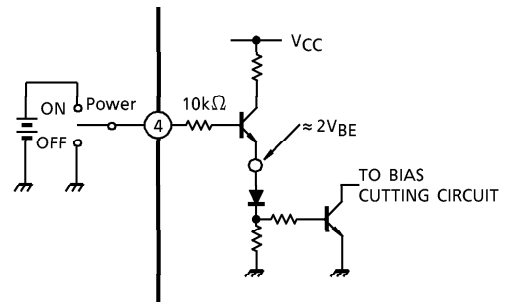
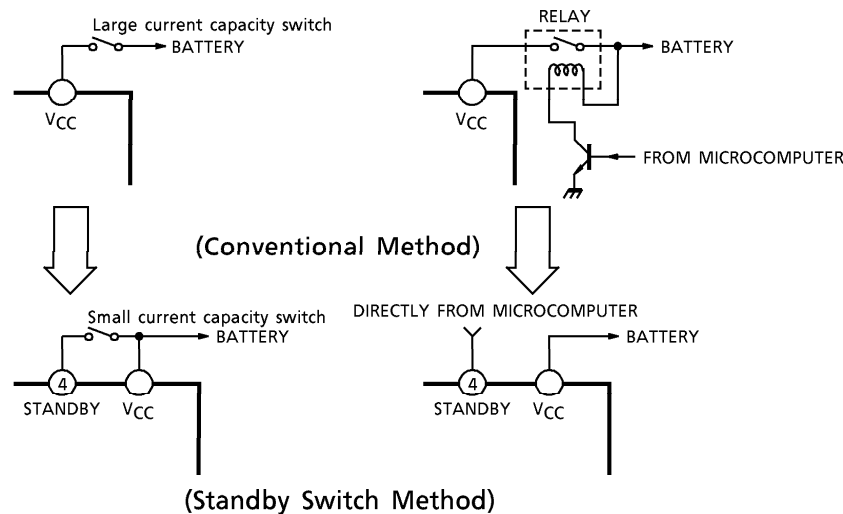


Fig.3 With pin④ set to High, Power is turned ON.

Advantage of stand-by SW

- (1) Since  $V_{CC}$  can directly be controlled to ON/OFF by the microcomputer, the switching relay can be omitted.
- (2) Since the control current is microscopic, the switching relay of small current capacity is satisfactory for switching.



### 3. Preventive measure against oscillation

For preventing the oscillation, it is advisable to use  $C_4$ , the condenser of polyester film having small characteristic fluctuation of the temperature and the frequency.

The resistance  $R$  to be series applied to  $C_4$  is effective for phase correction of high frequency, and improves the oscillation allowance.

Since the oscillation allowance is varied according to the causes described below, perform the temperature test to check the oscillation allowance.

- (1) Voltage gain to be used ( $G_V$  Setting)
- (2) Capacity value of condenser
- (3) Kind of condenser
- (4) Layout of printed board

In case of its use with the voltage gain  $G_V$  reduced or with the feedback amount increased, care must be taken because the phase-inversion is caused by the high frequency resulting in making the oscillation viably generated.

### 4. Input offset prevention circuit at $V_{CC} \rightarrow ON$

Having the Pre-Amp (Amp 1) mounted on the primary stage, this IC contains the circuit for making the Amp 1 input voltage and the NF terminal voltage equipotential.

Therefore, the offset voltage produced at the input stage is suppressed to prevent the pop noise at  $V_{CC} \rightarrow ON$ . The capacity values of the input and NF condenser ( $C_1$  and  $C_2$ ) shall be set according to the gain to be used.

(Reference) (A) At  $G_V = 50\text{dB}$  ( $R_f = 0\Omega$ )  
 $C_1 = 4.7\mu\text{F}$ ,  $C_2 = 47\mu\text{F}$

(B) At  $G_V = 40\text{dB}$  ( $R_f = 470\Omega$ )  
 $C_1 = 3.3\mu\text{F}$ ,  $C_2 = 33\mu\text{F}$

5. Muting function

Through setting pin① (mute terminal) at about 1V or less, muting becomes possible.

The interval circuit of IC is shown in Fig.4.

When pin① is set to LOW, Q1 and Q2 are turned to ON, the charge of the ripple condenser is discharged and the bias is cut. The mute amount of 60dB or over can be obtained.

Since this muting function rapidly discharge the charge of the ripple filter capacitor of pin⑧, the pop noise is generated by the DC fluctuation of the bias section.

Therefore, this muting function is not appropriate to the audio muting but it is effective in muting at  $V_{CC} \rightarrow ON$ .

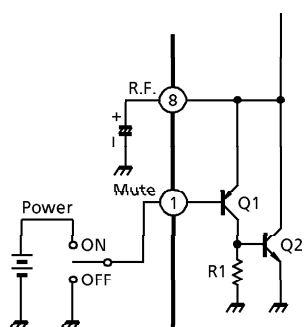


Fig.4 Mute circuit

6. External part list and description

SYM-BOL	RECOM-MENDED VALUE	FEATURE	INFLUENCE		REMARKS
			SMALLER THAN RECOMMENDED VALUE	LARGER THAN RECOMMENDED VALUE	
C <sub>1</sub>	4.7 $\mu$ F	DC blocking	Related to pop noise at $V_{CC} \rightarrow ON$ .		Related to gain. Refer to item 4.
C <sub>2</sub>	47 $\mu$ F	Feedback condenser	Related to pop noise at $V_{CC} \rightarrow ON$ . Determination of low cut-off frequency. $C_2 = \frac{1}{2\pi \cdot f_L \cdot R_f}$		
C <sub>3</sub>	220 $\mu$ F	Ripple reduction	Time constant is small at $V_{CC} \rightarrow ON$ or OFF.	Time constant is large at $V_{CC} \rightarrow ON$ or OFF.	
C <sub>4</sub>	0.12 $\mu$ F	Oscillation prevention	Made liable to oscillate.	Oscillation allowance.	Refer to item 3.
C <sub>5</sub>	1000 $\mu$ F	Ripple filter	For filtering power supply hum and ripple. Large at using AC rectified power supply. Small at using DC power supply.		
C <sub>6</sub>	1000pF	Oscillation prevention	Oscillation allowance improved. Noise Reduction		Refer to item 3.

**MAXIMUM RATINGS** (Ta = 25°C)

CHARACTERISTIC	SYMBOL	RATING	UNIT
Peak Supply Voltage (0.2s)	V <sub>CC</sub> (surge)	50	V
DC Supply Voltage	V <sub>CC</sub> (DC)	25	V
Operating Supply Voltage	V <sub>CC</sub> (opr)	18	V
Output Current (Peak)	I <sub>O</sub> (peak)	9	A
Power Dissipation	P <sub>D</sub>	50	W
Operating Temperature	T <sub>opr</sub>	-30~85	°C
Storage Temperature	T <sub>stg</sub>	-55~150	°C

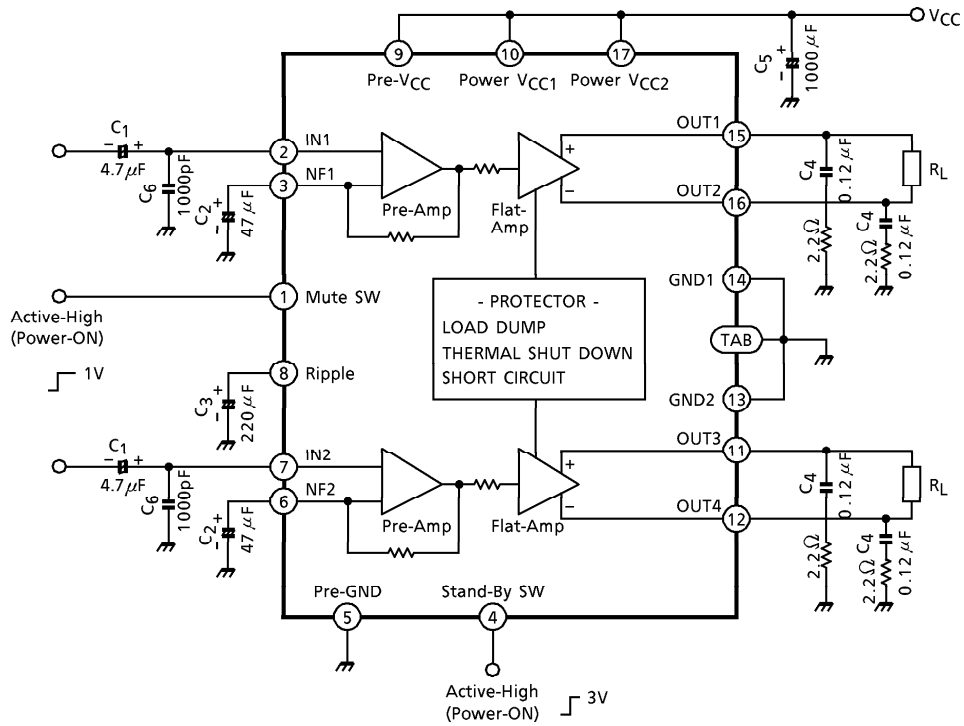
**ELECTRICAL CHARACTERISTICS**

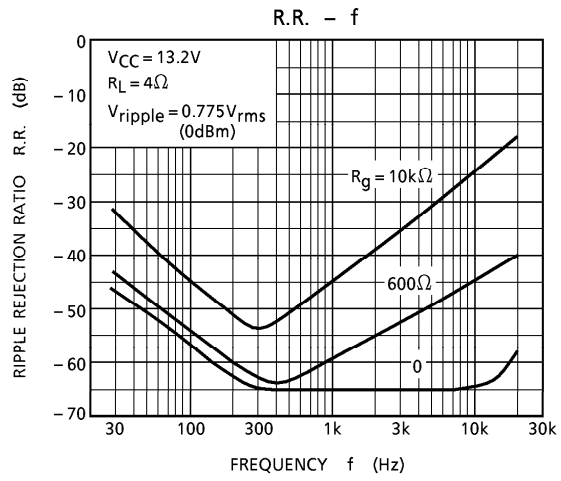
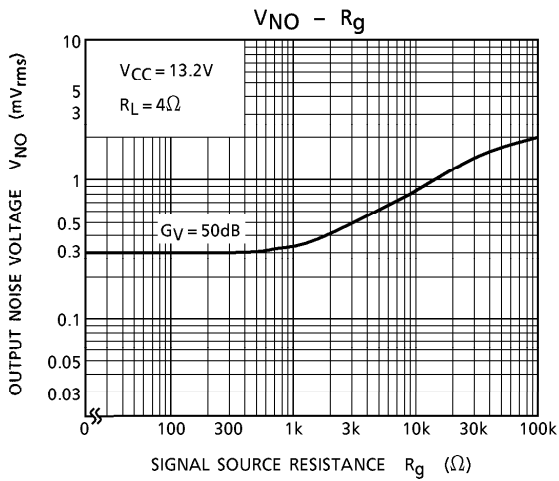
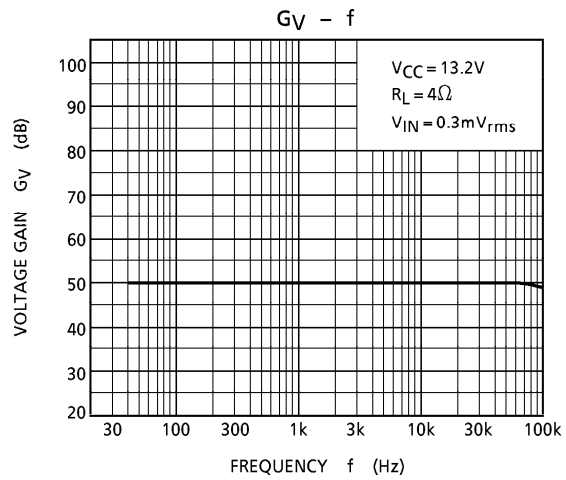
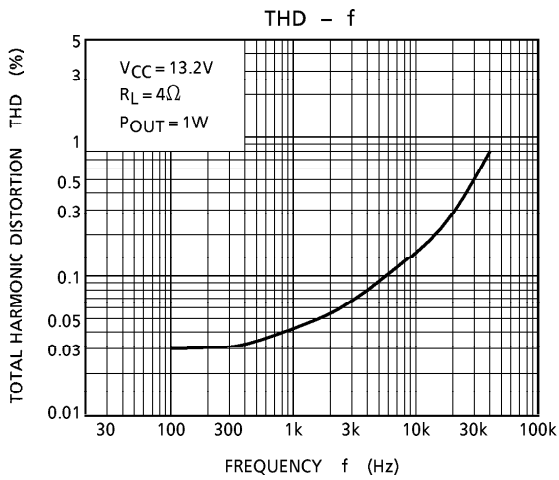
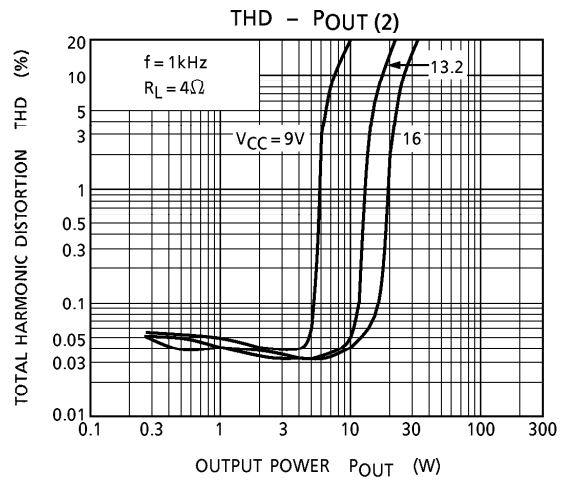
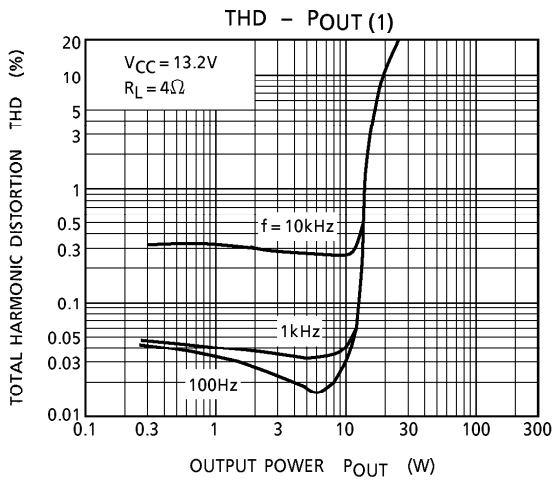
(Unless otherwise specified, V<sub>CC</sub> = 13.2V, R<sub>L</sub> = 4Ω, f = 1kHz, Ta = 25°C)

CHARACTERISTIC	SYMBOL	TEST CIRCUIT	TEST CONDITION	MIN.	TYP.	MAX.	UNIT
Quiescent Supply Current	I <sub>CCQ</sub>	—	V <sub>IN</sub> = 0	—	120	250	mA
Output Power	P <sub>OUT</sub> (1)	—	V <sub>CC</sub> = 14.4V, THD = 10%	—	22	—	W
	P <sub>OUT</sub> (2)	—	THD = 10%	16	19	—	
Total Harmonic Distortion Ratio	THD	—	P <sub>OUT</sub> = 1W	—	0.04	0.4	%
Voltage Gain	G <sub>V</sub>	—	—	48	50	52	dB
Output Noise Voltage	V <sub>NO</sub>	—	R <sub>g</sub> = 0Ω, BW = 20Hz~20kHz	—	0.30	0.70	mV <sub>rms</sub>
Ripple Rejection Ratio	R.R.	—	fripple = 100Hz, R <sub>g</sub> = 600Ω	40	54	—	dB
Input Resistance	R <sub>IN</sub>	—	—	—	30	—	kΩ
Output Offset Voltage	V <sub>offset</sub>	—	V <sub>IN</sub> = 0	-0.3	0	0.3	mV
Current at Stand-by State	I <sub>SB</sub>	—	—	—	1	10	μA
Cross Talk	C.T.	—	R <sub>g</sub> = 600Ω, V <sub>OUT</sub> = 0.775V <sub>rms</sub> (0dBm)	—	60	—	dB
Pin④ Control Voltage	V <sub>SB</sub>	—	Stand-by→OFF (Power→ON)	2.5	—	V <sub>CC</sub>	V
Pin① Control Voltage	V (Mute)	—	Mute→ON (Power→OFF)	—	1.0	2.0	V

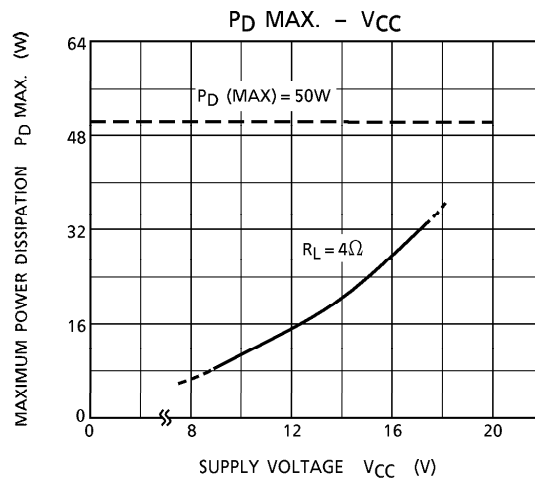
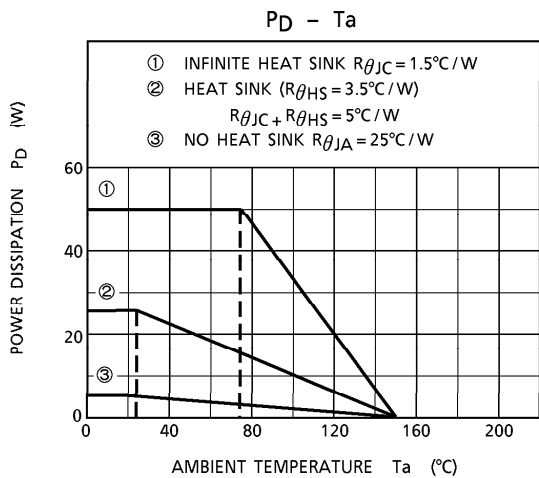
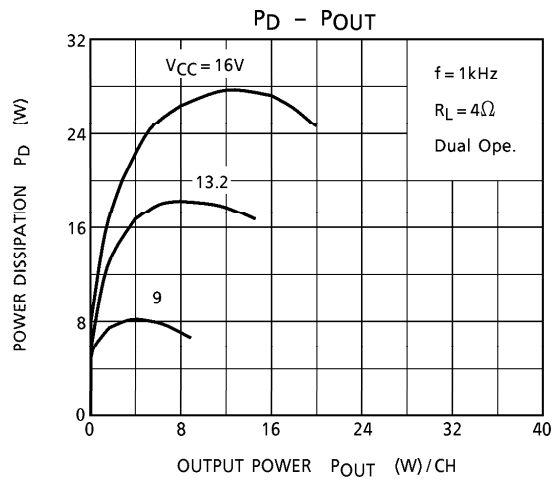
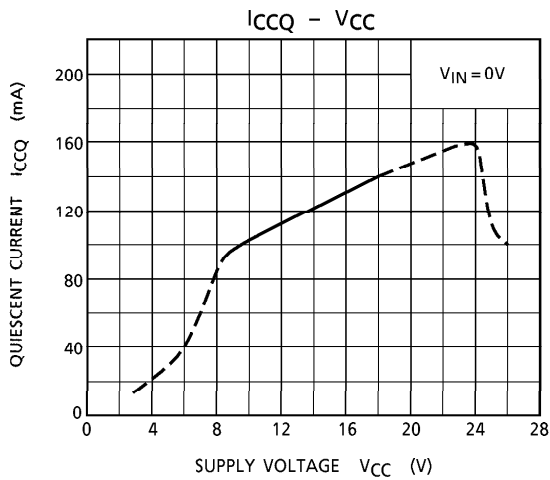
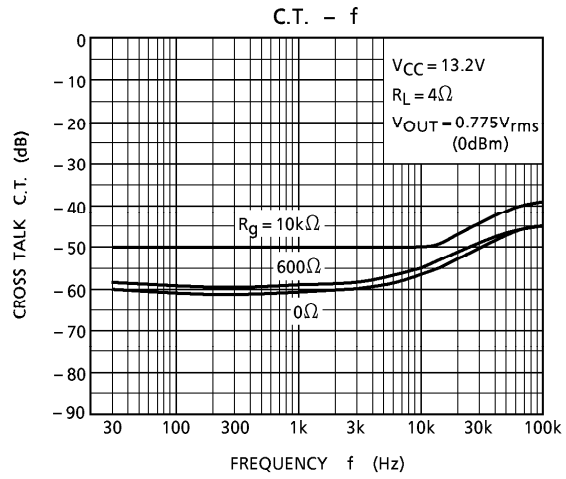
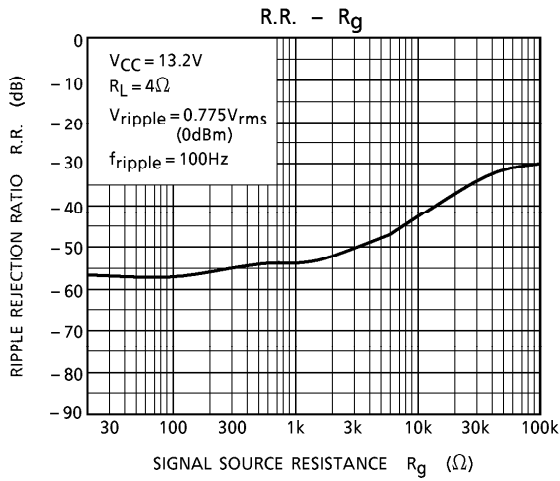
**TEST CIRCUIT**

TA8210AH, TA8210AL ( $G_V = 50\text{dB}$ )



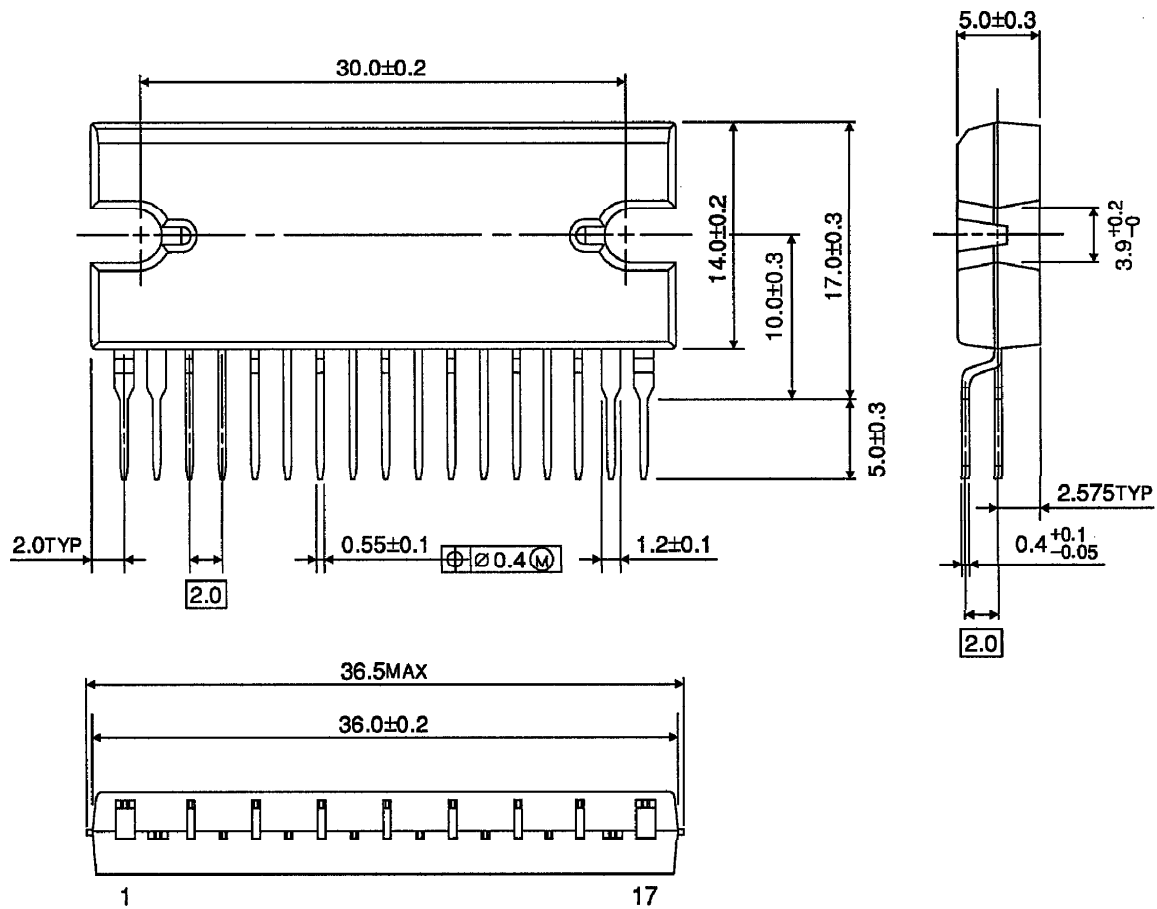






**OUTLINE DRAWING**  
HZIP17-P

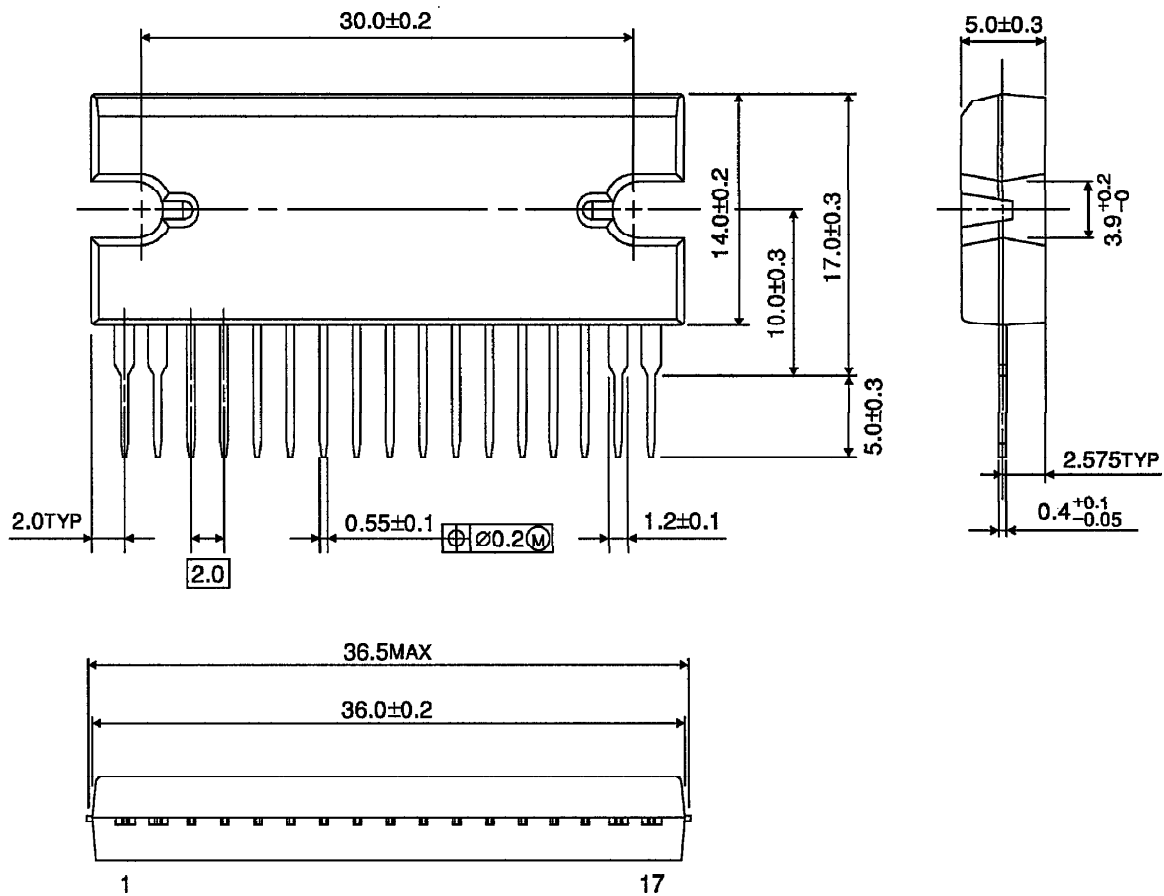
Unit : mm



Weight : 9.8g (Typ.)

**OUTLINE DRAWING**  
HSIP17-P

Unit : mm



Weight : 9.8g (Typ.)