

## SD Interface LSI

## MN5772

### Overview

MN5772 has an interface with the SD Memory Card which is a recordable medium complying with the copyright protection, certifies each other between the SD Memory Card by the mutual authentication of the SDMI standard conformity, encrypt/decrypt the contents with C2 cipher. MN5772 changes decrypted data to the elementary stream data which can be decoded with AAC decoder (MN67736LA).

### Feature

- High-speed encrypt/decrypt processing by C2 Core (hardware) Feature.
- Copyright protection function of the SDMI standard conformity.
- High-level security system using the mutual authentication.
- Asynchronous hand-shake micro processor interface(16bit).
- 2-ports for SD-card
- Evaluation board is available

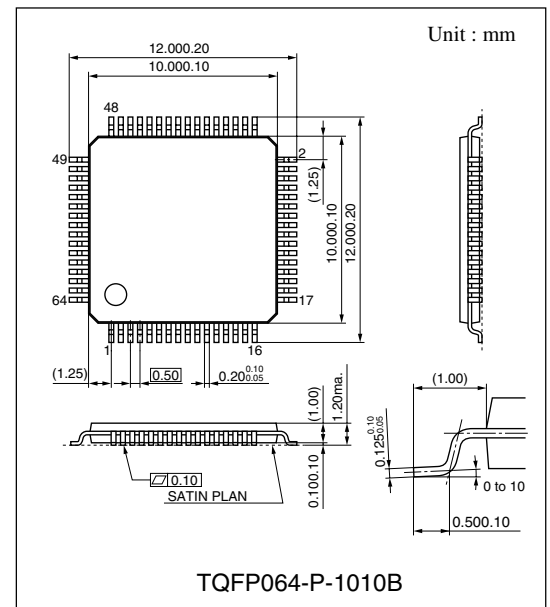
### Applications

- PDA,DSC etc

### Specifications

MN5772

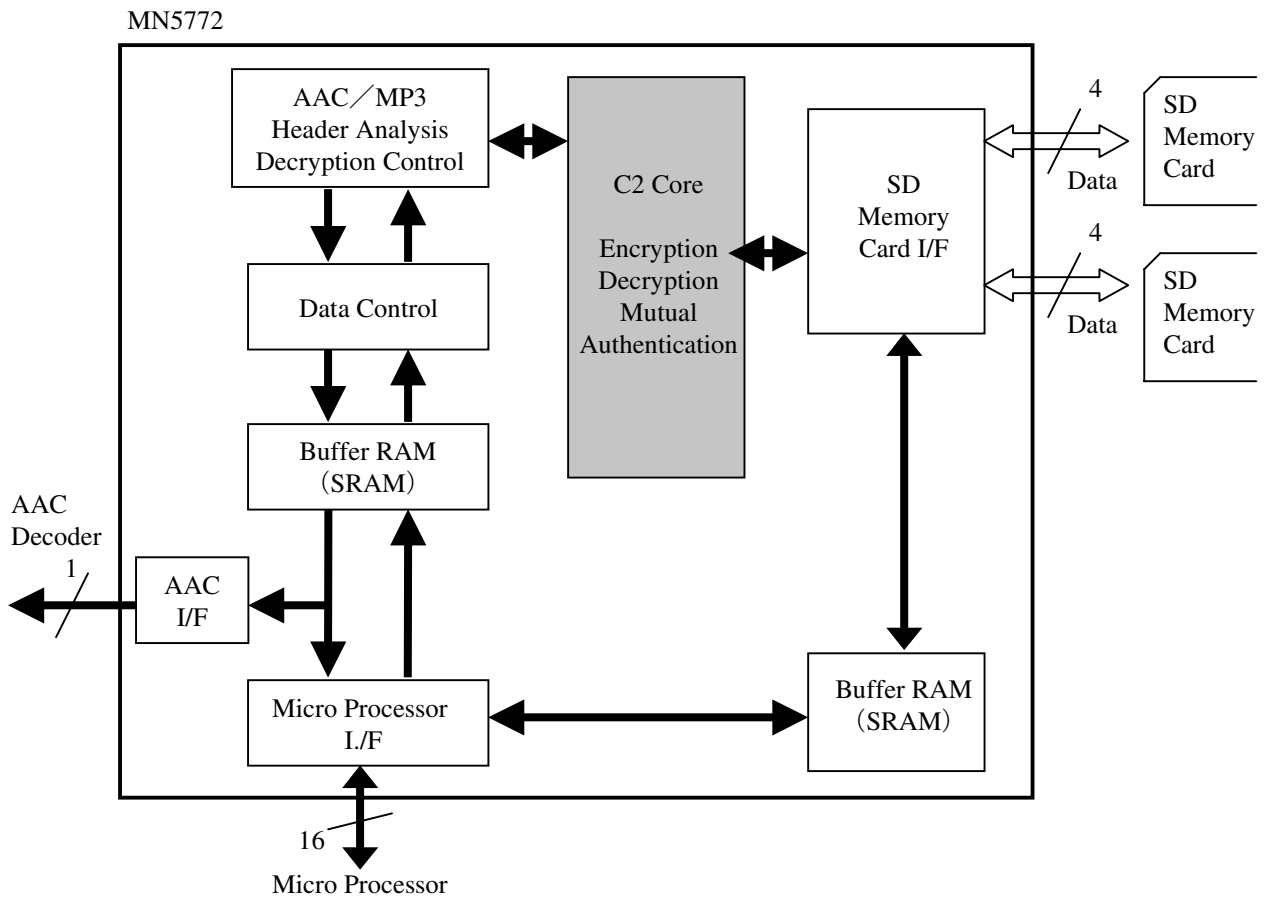
| Item                 | Contents  |
|----------------------|---|
| Copyright Protection | Mutual authentication of SDMI standard conformity         |
| Cryptography         | C2 cipher   |
| Key                  | 56 bit common key   |
| Audio Output         | AAC decoder interface:1 bit stream output                 |
| Audio format         | AAC/MP3 header analysis                                   |
| Microprocessor I/F   | MN10200 series, complying asynchronous hard-shake(16 bit) |
| Process              | 0.30 μm 3-layer metal CMOS                                |
| Clock Frequency      | 31 MHz  |
| Power Supply Voltage | 3.3 V   |
| Power Consumption    | (Under Development)                                       |
| Package              | 64 pin TQFP(10 mm on a side)                              |



The products and specification are subject to change without any notice. Please ask for the latest Product Standards to guarantee the satisfaction of your product requirements.

Semiconductor Company, Matsushita Electronics Corporation

■ Block Diagram



■ Evaluation board

