

20 characters × 2 lines COG module

RCM2234R-A / B

The RCM2234R-A / B is a reflective TN type liquid crystal module with a built-in controller / driver LSI and a display capacity of 20 characters × 2 lines.

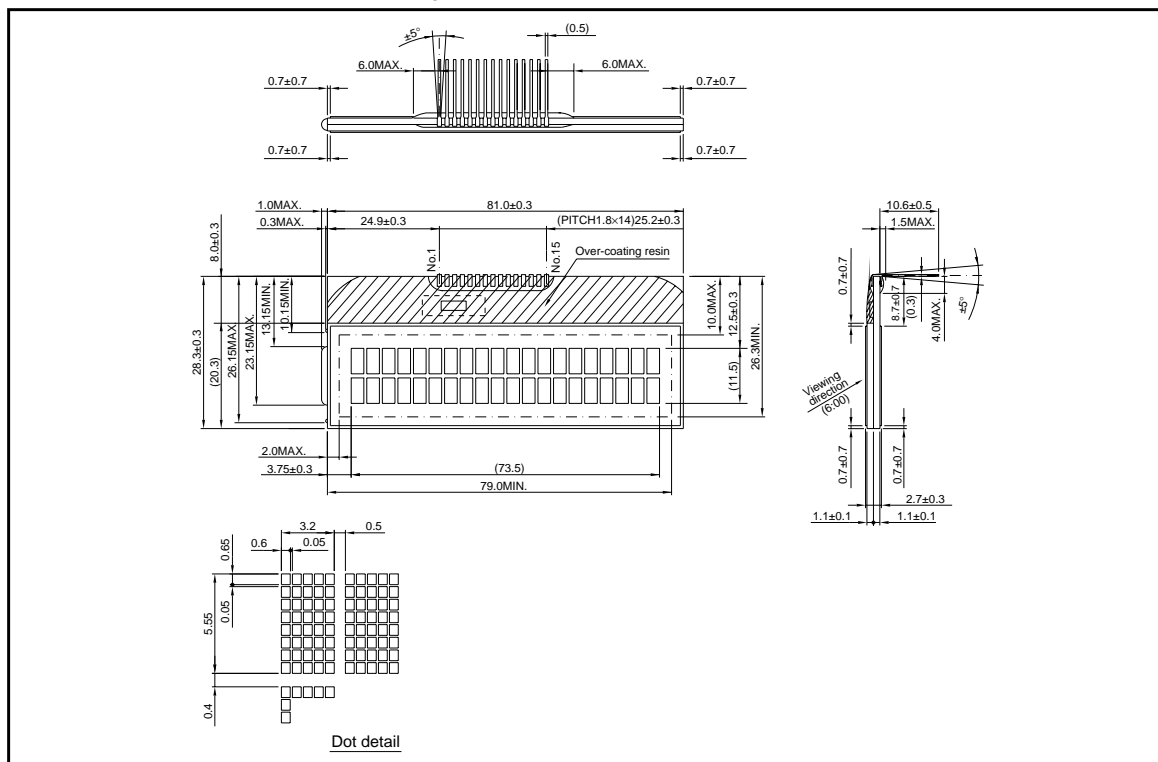
●Applications

Printers, Copiers, Facsimiles, etc

●Features

- (1) 5×7 dot character matrix with cursor.
- (2) Interfaces with 4-bit, 8-bit MPUs.
- (3) Displays up to 240 characters and special symbols.
- (4) Custom character patterns are displayed with the character RAM.
- (5) Abundant instruction set including clear display, cursor on/off, and character blinking.
- (6) Compact and lightweight for easy assembly to the host instrument.
- (7) Operable on single 5V power supply.
- (8) Low power consumption.

●External dimensions (Unit : mm) (Viewing direction : 6 : 00)



Liquid Crystal Displays

●Block diagram

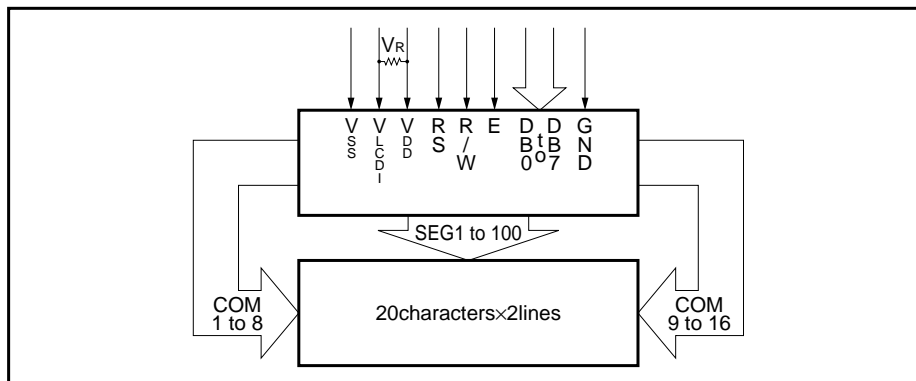


Fig.1

- Note 1. ($V_{LCDI}-V_5$)V is applied to LCD as driving voltage. Optimal driving voltage changes by viewing angle or temperature, therefore adjusting V_5 voltage in the condition that LCD is mounted on board is necessary.
 2. Considering variation of power voltage and optimal driving voltage, V_5 voltage should be adjustable.
 3. V_R : 10k Ω to 20k Ω (variable)

●Pin assignments

Pin No.	symbol	Pin No.	symbol
1	V _{SS}	9	DB2
2	V _{LCDI}	10	DB3
3	V _{DD}	11	DB4
4	RS	12	DB5
5	R / W	13	DB6
6	E	14	DB7
7	DB0	15	GND
8	DB1		

●Absolute maximum ratings (Ta=25°C)

Parameter	Symbol	Min.	Max.	Unit	Notes
Power voltage (1)	V _{DD}	-0.3	7.0	V	-
Power voltage (2)	V _{LCDI}	-0.3	12.0	V	-
Input voltage	V _{IN}	-0.3	V _{DD} +0.3	V	Input terminal
Operation temperature	T _{opr}	0	50	°C	-
Storage temperature	T _{stg}	-20	70	°C	-

- Note 1. Use of LSI above the absolute maximum ratings may cause permanent LSI damage.
 2. All voltage values are shown using V_{SS}=0V as a reference.
 3. Power supply must be retained in the relationship of V_{DD}-V_{SS}.

Liquid Crystal Displays

●Electrical characteristics (V_{DD}=5.0V, T_a=25°C)

Parameter	Symbol	Terminal Name	Min.	Typ.	Max.	Unit	Conditions
Logic power voltage	V _{DD}		4.75	5.0	5.25	V	
LCD power voltage	V _{LCDI}		3.0	–	5.0		
H input voltage (1)	V _{IH}	E, RS, SEL1, DB0 to DB7	0.7V _{DD}	–	V _{DD}	V	
L input voltage (2)	V _{IL}		V _{SS}	–	0.7	V	
H output voltage	V _{OH}	DB0 to DB7	0.8V _{DD}	–	–	V	I _{OH} = –100μA
L output voltage	V _{OL}		–	–	0.2V _{DD}	V	I _{OL} =100μA
Clock oscillation frequency	f _{osc}		175	250	325	kHz	LCD drive resistance
LCD driving voltage	V _{LCD}		3.0	–	5.0	V	
Current consumption	I _{DD}	V _{DD}	–	700	1400	μA	Check pattern

●Optical characteristics (T_a=25°C)

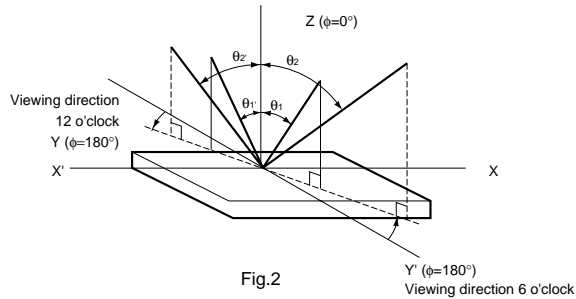
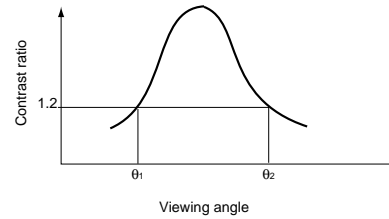
(1) Viewing direction 6:00

Parameter	Symbol	Min.	Typ.	Max.	Unit	Test Conditions
Response time	t _r	–	100	250	ms	θ=10°, φ=0°
Response time	t _d	–	150	250	ms	θ=10°, φ=0°
Contrast ratio	K	–	3	–	–	θ=10°, φ=0°
Viewing angle	θ ₁	–	–	0	deg	K≥1.2 φ=0°
	θ ₂	20	–	–		
	φ	±30	–	–	deg	K≥1.2 θ=20°

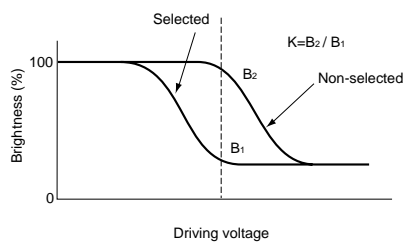
(2) Viewing direction 12:00

Parameter	Symbol	Min.	Typ.	Max.	Unit	Test Conditions
Response time	t _r	–	100	250	ms	θ'=10°, φ=180°
Response time	t _d	–	150	250	ms	θ'=10°, φ=180°
Contrast ratio	K	–	3	–	–	θ'=10°, φ=180°
Viewing angle	θ ₁ '	–	–	0	deg	K≥1.2 φ=180°
	θ ₂ '	20	–	–		
	φ	150 to 210	–	–	deg	K≥1.2 θ'=20°

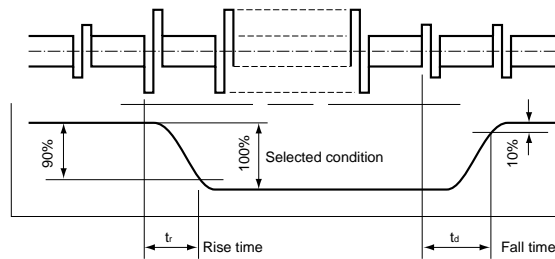
Liquid Crystal Displays

(1) Definition θ and ϕ (2) Definition of viewing angles θ_1 and θ_2 

(3) Definition of contrast ratio "K"



(4) Definition of optical response



●Terminal function

Symbol	I/O Terminal	Function
V _{SS}	Input	V _{SS} =0V
V _{LCDI}	Input	LCD driving voltage input terminal $3.0 \leq V_{LCDI} \leq 5.0$
V _{DD}	Input	V _{DD} =4.75 to 5.25V
RS	Input	Register selected signal L: Instruction register (at write) Busy flag / address counter (at read) H: Data register (at write & read)
R / W	Input	Read / Write select signal L: Write H: Read
E	Input	Data Read / Write enable signal
DB0 to DB3	Input / Output	Data bus four-state bi-directional
DB4 to DB7	Input / Output	Data bus four-state bi-directional

Liquid Crystal Displays

●Timing characteristics

Write operation

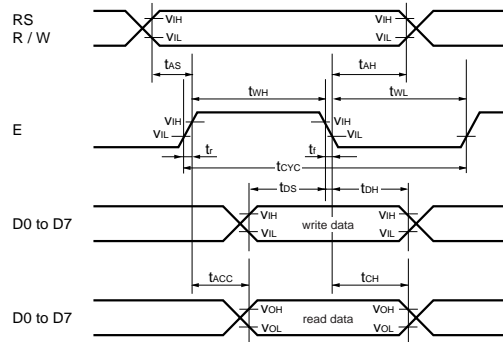


Fig.6

Item	Symbol	Min.	Typ.	Max.	Unit	Condition
Address set up time	t_{AS}	120	—	—	ns	at write
		120	—	—	ns	at read
Address hold time	t_{AH}	20	—	—	ns	
"E" pulse width H level	t_{WH}	500	—	—	ns	
"E" pulse width L level	t_{WL}	500	—	—	ns	
Cycle time	t_{CYC}	1000	—	—	ns	
Data setup time	t_{DS}	200	—	—	ns	
Data hold time	t_{DH}	20	—	—	ns	
Output disable time	t_{ACC}	—	—	95	ns	
Output data hold time	t_{CH}	40	—	—	ns	
"E" rise / fall time	t_r, t_f	—	—	10	ns	

* Numbers above mentioned are driver IC's number as a single unit.
In designing, please set the timing with sufficient margin.

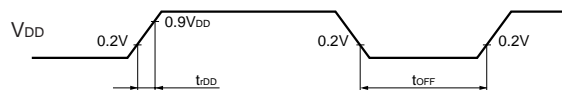
●Reset Circuit

The busy flag indicating internal operating state is H level in the period of 2ms after Reset operation starting. External input is not available in this state. After 2ms passes or confirms the busy flag is L level the instruction can be acceptable.

If the power supply conditions are not met, the integrated reset circuit will not operate properly. Execute initialization by instruction.

Item	Symbol	Min.	Typ.	Max.	Unit	Condition
Power rise time	t_{rDD}	0.1	—	10	ms	—
Power OFF time	t_{oFF}	1	—	—	ms	—

Note : The power OFF time specifies the time during which the power is off when the instantaneous power failure occurs or power ON/OFF repeated.



Liquid Crystal Displays

●Instruction

Instruction	Instruction code											Description	Time (Max.)
	RS	RW	D7	D6	D5	D4	D3	D2	D1	D0			
Display Clear	0	0	0	0	0	0	0	0	0	0	1	Clears entire display and sets DDRAM address 0 in address counter.	3.3ms
Cursor Home	0	0	0	0	0	0	0	0	0	1	*	Sets DDRAM address 0 in the address counter shifted display returns to the original state. DDRAM data does not change.	3.3ms
Entry Mode Set	0	0	0	0	0	0	0	0	1	I / D	S	I/D : Specifies cursor / display shift (I/D=1 : +1 I/D=0 : -1) S : Executes the shift operation (S=1 : shift S=0 : no shift) These operation are performed during data write and read.	80μs
Display ON / OFF Control	0	0	0	0	0	0	0	1	D	C	B	D : All display ON / OFF (1 : ON, 0 : OFF) C : Cursor ON / OFF (1 : ON, 0 : OFF) B : Cursor position blink ON / OFF (1 : ON, 0 : OFF)	80μs
Cursor or Display Shift	0	0	0	0	0	1	S/C	R/L	*	*	*	Shifts the cursor or display without changing DDRAM data S / C : (1 : Display shift, 0 : Cursor shift) R / L : Specifies the shift direction (1 : Right shift, 0 : Left shift)	80μs
Function Set	0	0	0	0	1	DL	N	*	*	*	*	Sets function for the internal operation DL : (1:8bit, 0:4bit) N : (1:2line, 0:1line)	80μs
CGRAM Address set	0	0	0	1	ACG							Assigns the CGRAM address	80μs
DDRAM Address set	0	0	1	ADD							Assigns the DDRAM address	80μs	
Busy flag Address counter read	0	1	BF	AC							BF : Reads the internal operation state (1 : In operation, 0 : Completed operation) AC : Reads the address counter value.	—	
Data write	1	0	Write data									Writes data into DD / CGRAM	80μs
Data read	1	1	Read data									Read data from DD / CGRAM	80μs

Note) *1.In designing, please set the timing with sufficient margin.

*2.When frequency changes, operation time also change.

*3.SEG / COM forward directions are prescribed as below by ITO patterns.

SEG1→SEG100, COM1→COM16

(* : Don't care)

Liquid Crystal Displays

●Character code and corresponding character pattern

		UPPER																
		0000	0001	0010	0011	0100	0101	0110	0111	1000	1001	1010	1011	1100	1101	1110	1111	
LOWER	0000	CGRAM (1)	A	B	C	D	E	F	G	H	I	J	K	L	M	N	O	P
	0001	(2)	Q	R	S	T	U	V	W	X	Y	Z	[\]	^	_	~
	0010	(3)	¡	¢	£	¤	¥	¦	§	¨	©	ª	«	¬	®	¯	°	±
	0011	(4)	³	´	µ	¶	·	¸	¹	º	»	¼	½	¾	¿	À	Á	Â
	0100	(5)	Ã	Ä	Å	Æ	Ç	È	É	Ê	Ë	Ì	Í	Î	Ï	Ð	Ñ	Ò
	0101	(6)	Ó	Ô	Õ	Ö	×	Ø	Ù	Ú	Û	Ü	Ý	Þ	ß	à	á	â
	0110	(7)	ã	ä	å	æ	ç	è	é	ê	ë	ì	í	î	ï	ð	ñ	ò
	0111	(8)	ó	ô	õ	ö	÷	ø	ù	ú	û	ü	ý	þ	ß	à	á	â
	1000	(1)	ã	ä	å	æ	ç	è	é	ê	ë	ì	í	î	ï	ð	ñ	ò
	1001	(2)	ó	ô	õ	ö	÷	ø	ù	ú	û	ü	ý	þ	ß	à	á	â
	1010	(3)	ã	ä	å	æ	ç	è	é	ê	ë	ì	í	î	ï	ð	ñ	ò
	1011	(4)	ó	ô	õ	ö	÷	ø	ù	ú	û	ü	ý	þ	ß	à	á	â
	1100	(5)	ã	ä	å	æ	ç	è	é	ê	ë	ì	í	î	ï	ð	ñ	ò
	1101	(6)	ó	ô	õ	ö	÷	ø	ù	ú	û	ü	ý	þ	ß	à	á	â
	1110	(7)	ã	ä	å	æ	ç	è	é	ê	ë	ì	í	î	ï	ð	ñ	ò
	1111	(8)	ó	ô	õ	ö	÷	ø	ù	ú	û	ü	ý	þ	ß	à	á	â

Liquid Crystal Displays

●Operation note

(1) Handling precautions

- Protect the module from strong shocks as they can cause damage or defective operation.
- The polarizing plate on the surface of the module is soft and can easily be scratched. Wipe away dirt and dust using an alcohol-based cleanser.
- If the liquid crystal panel is damaged and the liquid crystal contacts your clothing or body, wash immediately with soap and water.
- If the module is to be used for long periods subjected to direct sunlight, employ a filter to block the ultraviolet rays.
- Do not use the module in areas of high temperature or high humidity. Do not use the module locations exposed to direct sunlight or fluorescent light.
- A protective film (polyethylene) is pasted over ROHM liquid crystal modules to protect the panel surfaces. When peeling this film off, be sure to peel as slow as possible in order to minimize the generation of static electricity.

(2) Precautions during operation

- Do not connect or disconnect the module while the power supply is turned on.
- Input the input signal after the module power supply is turned on. When turning it off, turn off the input signal first. Otherwise the IC may be damaged by the latch-up phenomenon.

(3) Precautions during installation

- Be sure to use a grounded soldering iron when performing any installation procedures.
- Be careful to avoid damage from static electricity. A CMOS-IC is used in the modules circuitry that can be easily damaged by static electricity.

(4) Precautions during unit assembly

- In order to protect the polarizing plate from dirt or scratches, it is recommended to use a protective cover on the front surface.

(5) Precautions for COG module

- Do not subject the front and back surface of the IC to light. Doing so may cause defective operation.
- When peeling off the protective film of the panel, use of an ion blower or other device to reduce the generation of static electricity is recommended.
- No special measures are taken to prevent the generation of static electricity on the module. Therefore, be sure to take the appropriate measures to prevent the generation of electrical charge on the LCD module by the design of the product itself.

Notes

- No technical content pages of this document may be reproduced in any form or transmitted by any means without prior permission of ROHM CO.,LTD.
- The contents described herein are subject to change without notice. The specifications for the product described in this document are for reference only. Upon actual use, therefore, please request that specifications to be separately delivered.
- Application circuit diagrams and circuit constants contained herein are shown as examples of standard use and operation. Please pay careful attention to the peripheral conditions when designing circuits and deciding upon circuit constants in the set.
- Any data, including, but not limited to application circuit diagrams information, described herein are intended only as illustrations of such devices and not as the specifications for such devices. ROHM CO.,LTD. disclaims any warranty that any use of such devices shall be free from infringement of any third party's intellectual property rights or other proprietary rights, and further, assumes no liability of whatsoever nature in the event of any such infringement, or arising from or connected with or related to the use of such devices.
- Upon the sale of any such devices, other than for buyer's right to use such devices itself, resell or otherwise dispose of the same, no express or implied right or license to practice or commercially exploit any intellectual property rights or other proprietary rights owned or controlled by
- ROHM CO., LTD. is granted to any such buyer.
- Products listed in this document are no antiradiation design.

The products listed in this document are designed to be used with ordinary electronic equipment or devices (such as audio visual equipment, office-automation equipment, communications devices, electrical appliances and electronic toys).

Should you intend to use these products with equipment or devices which require an extremely high level of reliability and the malfunction of which would directly endanger human life (such as medical instruments, transportation equipment, aerospace machinery, nuclear-reactor controllers, fuel controllers and other safety devices), please be sure to consult with our sales representative in advance.

About Export Control Order in Japan

Products described herein are the objects of controlled goods in Annex 1 (Item 16) of Export Trade Control Order in Japan.

In case of export from Japan, please confirm if it applies to "objective" criteria or an "informed" (by MITI clause) on the basis of "catch all controls for Non-Proliferation of Weapons of Mass Destruction.