

# AF-12864K

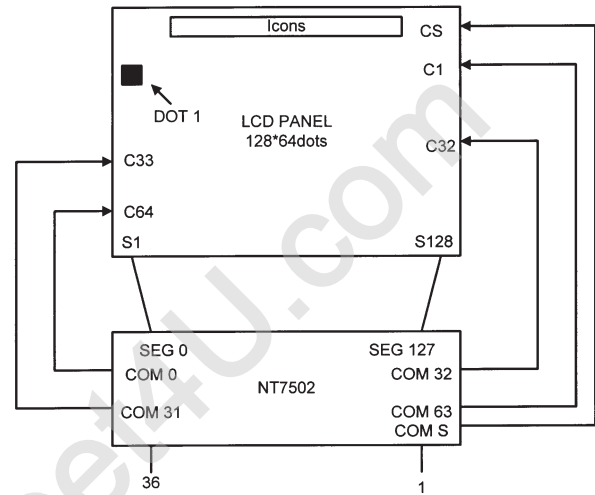
•128x64 dots 1/64 Duty

AF-12864K  
AF-11264C

## FEATURE

- 1.Construction : STN LCD panel and COF.
- 2.Driver : NT7502.
- 3.3.0V single power input.
- 4.Extended temperature type.

## BLOCK DIAGRAM

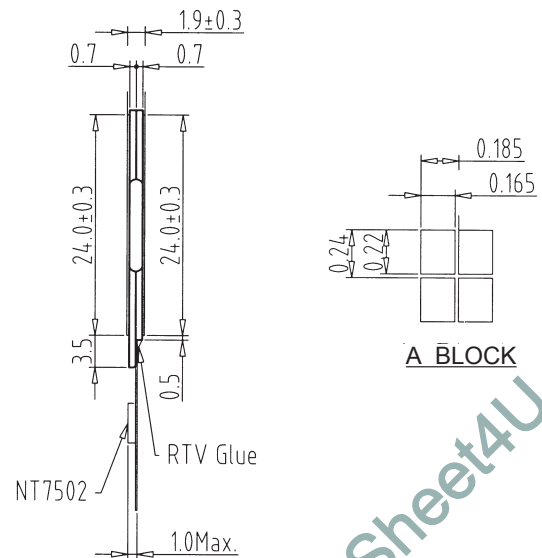
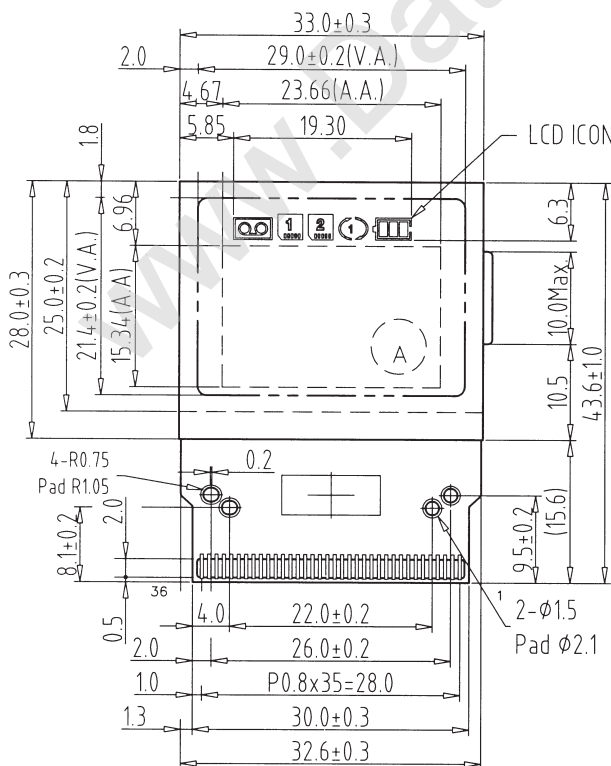


## ELECTRICAL CHARACTERISTICS

Parameter	Symbol	Condition	Typ.Value	Unit.
LCD Driving Voltage	VDD-VSS	25°C	9.0	V
Logic Supply Current	IDD	VDD=3.0V	0.2	mA

## INTERFACE

1	2	3	4	5	6	7	8	9	10	11
NC	CL	/CS1/RES	A0	/WR	/RD	D0	D1	D2	D3	
12	13	14	15	16	17	18	19	20	21	22
D4	D5	D6	D7	VDD	VSS	VOU	CAP3+	CAP1-	CAP1+	CAP2+
23	24	25	26	27	28	29	30	31	32	33
CAP2-	VENT	V1	V2	V3	V4	V0	VR	CLS	C86	P/S
34	35	36								
/HPM	IRS	NC								



www.DataSheet4U.com