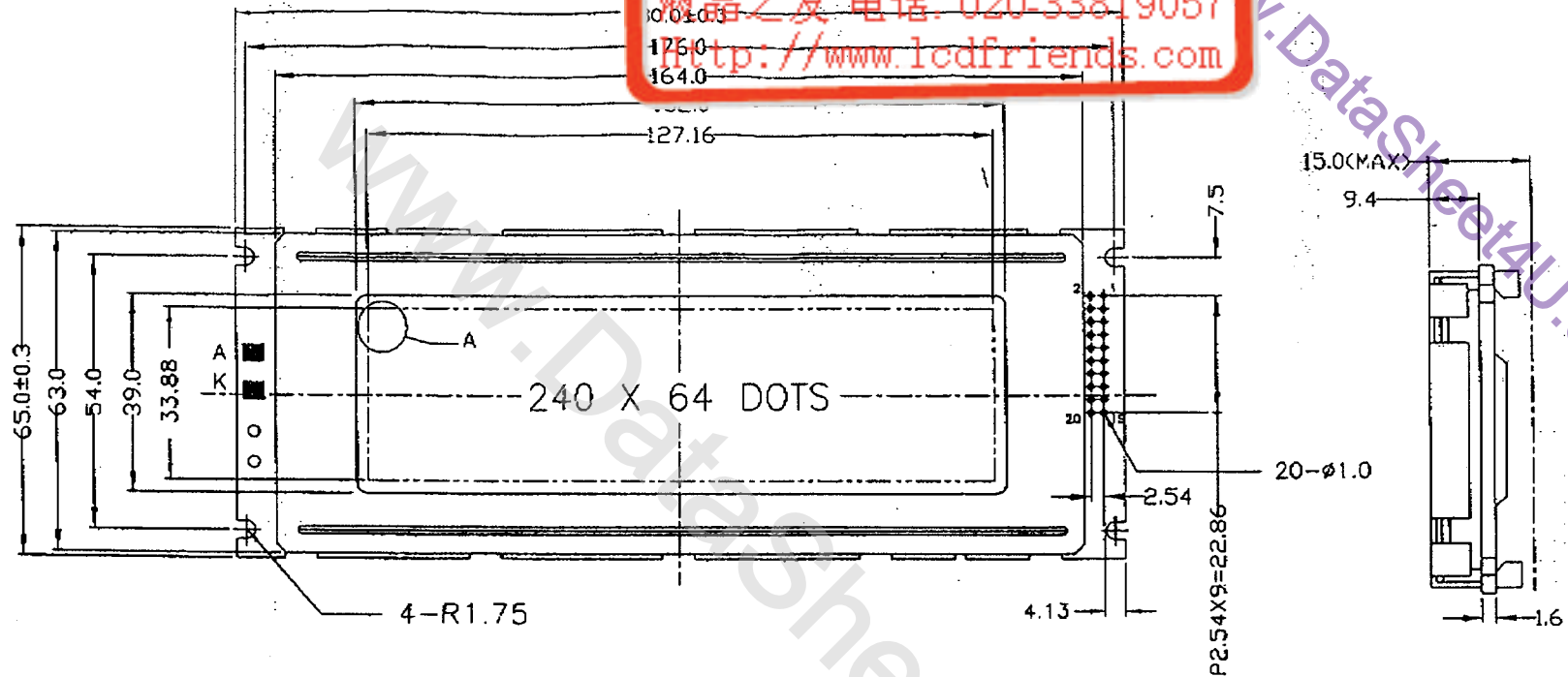


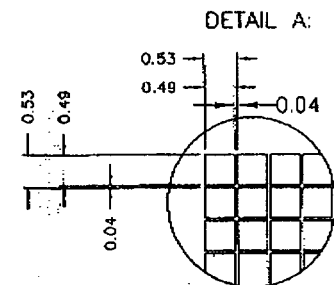
液晶之友 电话: 020-33819057
<http://www.lcdfriends.com>



1	2	3	4	5	6	7	8	9	10	11	12	13	14	15	16	17	18	19	20
FG	Vss	Vcc	Vo	WR	RD	CE	C/D	NC	RESET	DB0	DB1	DB2	DB3	DB4	DB5	DB6	DB7	FS	NC

NOTES:

- 1.DISPLAY TYPE: FSTN
- 2.VIEWING DIRECTION: 12:00
- 3.POLARIZER MODE: TRANSFLECTIVE/POSITIVE
- 4.OPERATING TEMP.: 0°C—+50°C
- 5.STORAGE TEMP.: -20°C—+60°C
- 6.CONTROLLER: T6963C
- 7.LCD OPERATING VOLTAGE:11.0V
- 8.LCD DRIVE METHOD: DUTY=1/64 BIAS=1/9
- 9.ALL UNMARKED TOLERANCES:±0.2
- 10.BACKLIGHT TYPE: LED(3.5V,WHITE)
- 11.BEZEL IS TO BE PAINTED BLACK



TIAN-MA MICROELECTRONICS CO

22/F., CASTIC Building, Shennan Road, Central, Shenzhen, China

DRAWN BY: 张南/2-03	TITLE: TM24064BCCU1	 SCALE: UNIT: mm
CHECKED BY: 吴仕/2-03	DWG NO: G-1	
APPROVED BY: 李三/2-03	DWG NAME: TM24064BCCU1	
CONFIRMED BY:	SHRET NO: 1 OF 1	