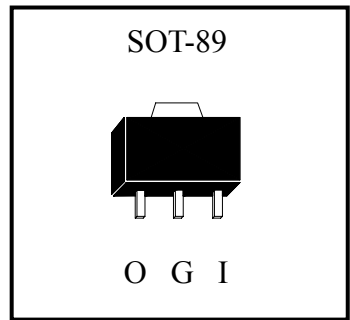


Low Current Positive Voltage Regulator

LM78L05XM3



Description

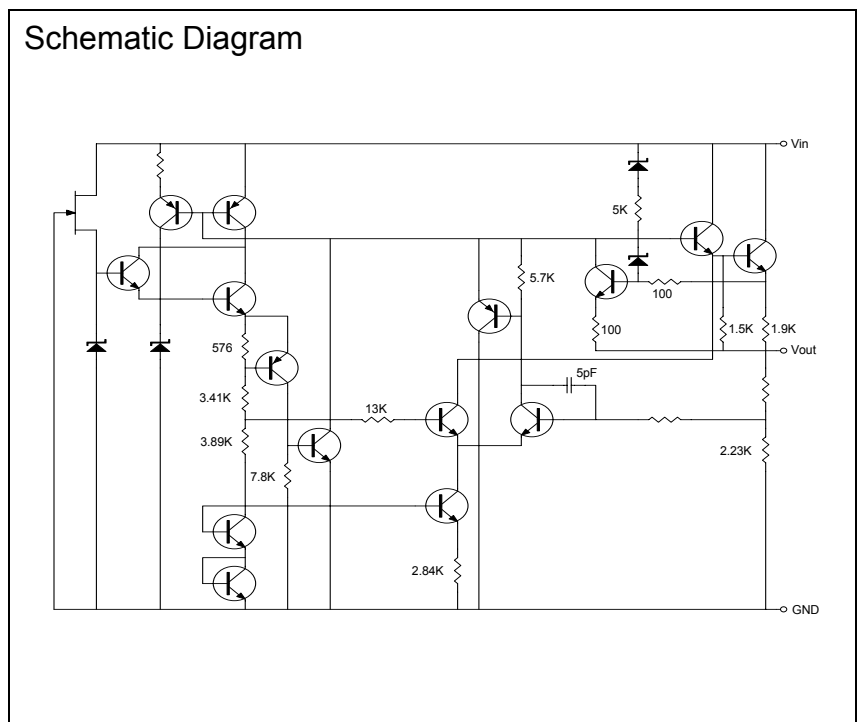
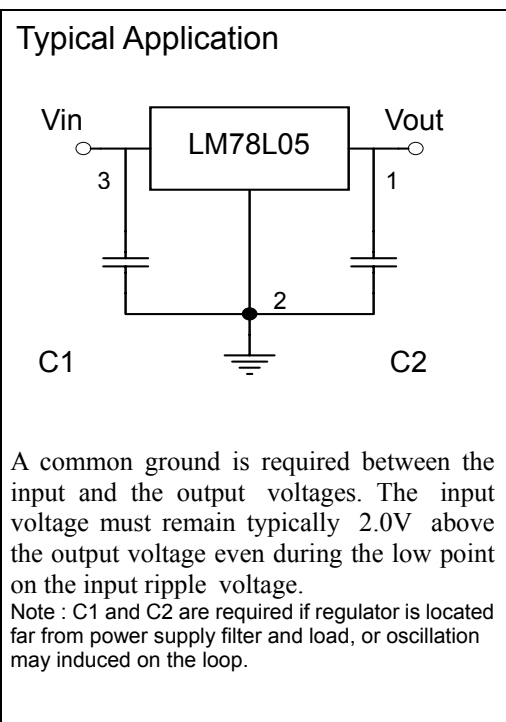
The LM78L05XM3 series of surface mount regulators are easy-to-use devices suitable for multitude of applications that require a regulated supply of up to 100mA. These regulators feature internal current limiting and thermal shutdown, making them remarkably rugged. No external components are required with the LM78L05XM3 devices in many applications. These devices offer a substantial performance advantage over the traditional zener diode resistor combination, as output impedance and quiescent current are substantially reduced.

Features:

- Wide Range Of Available, Fixed Output Voltages
- Internal Short-Circuit Current Limiting
- Internal Thermal Overload Protection
- No External Components Required
- Pb-free package

Absolute Maximum Ratings (Ta=25°C)

- Input Voltage..... 30 V
- Total Power Dissipation..... Internally limited
- Operating Temperature Range..... 0 °C to +125 °C
- Maximum Junction Temperature..... 125 °C
- Storage Temperature Range..... -55 °C to +150 °C
- Lead Temperature (Soldering 10S)..... 260 °C





Electrical Characteristics

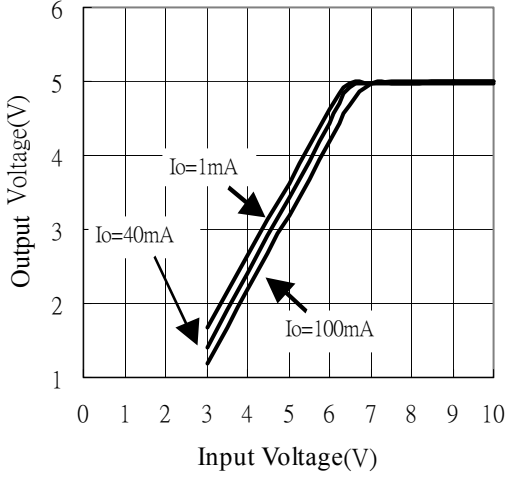
Vin=10V, Io=40mA, Tj=25°C Cin=0.33uF, Cout=0.1uF (unless otherwise noted)

Symbol	Parameter	Conditions	LM78L05A			Units
			Min	Typ	Max	
Vo	Output Voltage	Tj=25°C	4.85	5	5.15	V
		7V≤Vin≤25V, 1mA≤Io≤40mA	4.75	5	5.25	
		1mA≤Io≤70mA	4.75	5	5.25	
ΔVo	Line Regulation	7V≤Vin≤20V	-	-	150	mV
		8V≤Vin≤20V	-	-	100	
ΔVo	Load Regulation	1mA≤Io≤100mA	-	-	60	mV
		1mA≤Io≤40mA	-	-	30	
IQ	Quiescent Current	Ta=25°C	-	-	5	mA
ΔIQ	Quiescent Current Change	8V≤Vin≤20V	-	-	1	mA
		1mA≤Io≤40mA	-	-	0.1	
Vn	Output Noise Voltage	10Hz≤f≤100KHz	-	40	-	uV
ΔVin / ΔVout	Ripple Rejection	8V≤Vin≤16V, f=120Hz	47	62	-	dB
Ipk	Peak Output Current	Ta=25°C	-	140	-	mA
VD	Dropout Voltage	Ta=25°C	-	1.7	-	V

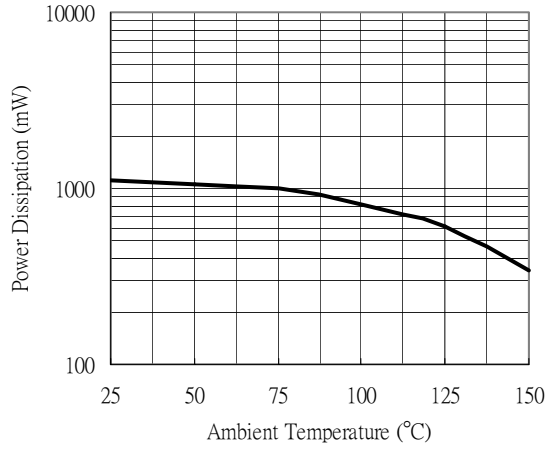
Symbol	Parameter	Conditions	LM78L05B			Units
			Min	Typ	Max	
Vo	Output Voltage	Tj=25°C	4.75	5	5.25	V
		7V≤Vin≤25V, 1mA≤Io≤40mA	4.75	5	5.25	
		1mA≤Io≤70mA	4.75	5	5.25	
ΔVo	Line Regulation	7V≤Vin≤20V	-	-	150	mV
		8V≤Vin≤20V	-	-	100	
ΔVo	Load Regulation	1mA≤Io≤100mA	-	-	60	mV
		1mA≤Io≤40mA	-	-	30	
IQ	Quiescent Current	Ta=25°C	-	-	5	mA
ΔIQ	Quiescent Current Change	8V≤Vin≤20V	-	-	1	mA
		1mA≤Io≤40mA	-	-	0.1	
Vn	Output Noise Voltage	10Hz≤f≤100KHz	-	40	-	uV
ΔVin / ΔVout	Ripple Rejection	8V≤Vin≤16V, f=120Hz	47	62	-	dB
Ipk	Peak Output Current	Ta=25°C	-	140	-	mA
VD	Dropout Voltage	Ta=25°C	-	1.7	-	V

Characteristic Curves

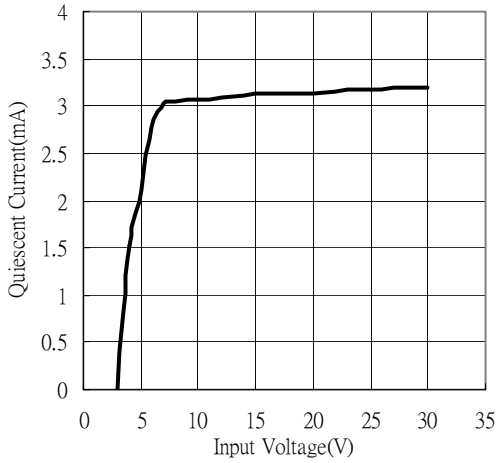
Dropout Characteristics



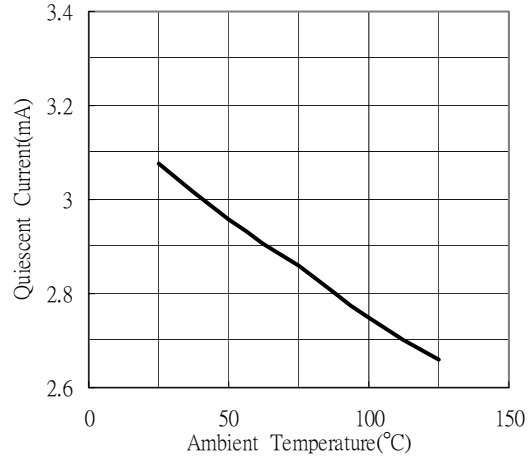
Maximum Average Power Dissipation



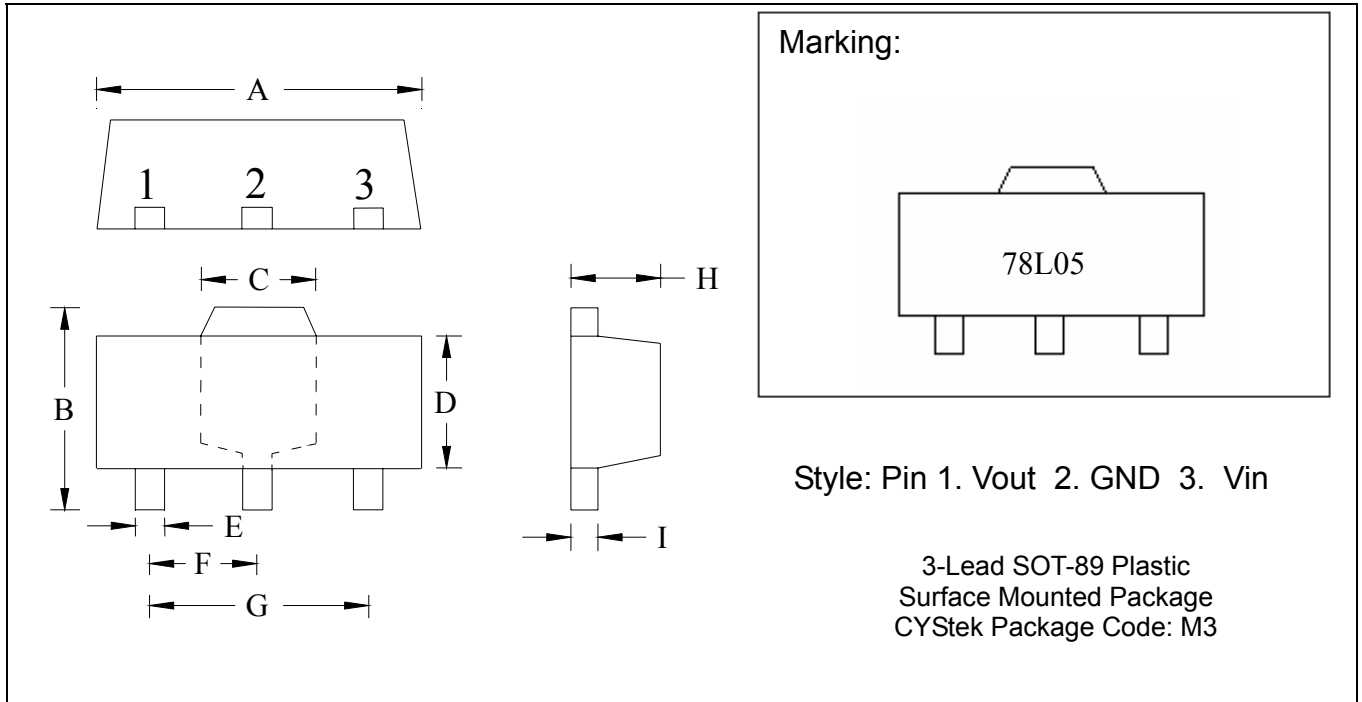
Quiescent Current



Quiescent Current



SOT-89 Dimension



*: Typical

DIM	Inches		Millimeters		DIM	Inches		Millimeters	
	Min.	Max.	Min.	Max.		Min.	Max.	Min.	Max.
A	0.1732	0.1811	4.40	4.60	F	0.0583	0.0598	1.48	1.527
B	0.1594	0.1673	4.05	4.25	G	0.1165	0.1197	2.96	3.04
C	0.0591	0.0663	1.50	1.70	H	0.0551	0.0630	1.40	1.60
D	0.0945	0.1024	2.40	2.60	I	0.0138	0.0161	0.35	0.41
E	0.01417	0.0201	0.36	0.51					

Notes: 1.Controlling dimension: millimeters.
 2.Maximum lead thickness includes lead finish thickness, and minimum lead thickness is the minimum thickness of base material.
 3.If there is any question with packing specification or packing method, please contact your local CYStek sales office.

Material:

- Lead: 42 Alloy ; solder plating
- Mold Compound: Epoxy resin family, flammability solid burning class: UL94V-0

Important Notice:

- All rights are reserved. Reproduction in whole or in part is prohibited without the prior written approval of CYStek.
- CYStek reserves the right to make changes to its products without notice.
- CYStek **semiconductor products are not warranted to be suitable for use in Life-Support Applications, or systems.**
- CYStek assumes no liability for any consequence of customer product design, infringement of patents, or application assistance.