

# Clock generator for PC

## BU2279F

BU2279F is an IC that generates multiple clocks from the built-in PLL by inputting standard clocks from outside. This IC is suitable for digital appliances.

54 MHz for video and 33.333MHz of digital system clock for CPU can be generated from widely used 13.5 MHz clock.

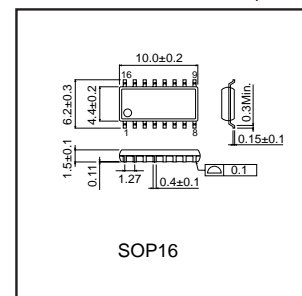
### ●Applications

DVD recorder, PC

### ●Features

- 1) Clock signals are generated by crystal oscillator.
- 2) SOP16 package.
- 3) Single power supply 3.3V.
- 4) No external components for PLL.

### ●External dimensions (Units : mm)



### ●Absolute maximum rating ( Ta=25°C )

Parameter	Symbol	Limits	Unit
Impressed voltage	$V_{DD}$	-0.5 ~ 7.0	V
Input voltage	$V_{IN}$	-0.5 ~ $V_{DD}+0.5$	V
Storage temperature range	$P_d$	500 *	mW
Power dissipation	$T_{stg}$	-30 ~ 125	°C

\* Ratio above does not guarantee the operation.

\* When the condition is over  $T_a=25^{\circ}\text{C}$ , dissipation is decreased 5mWper  $1^{\circ}\text{C}$ .

\* Radiation resistance design is not used.

\* Power dissipation is.

### ●Recommended operational conditions ( Ta=25°C )

Parameter	Symbol	Min.	Typ.	Max.	Unit
Power supply voltage	$V_{DD}$	3.0	-	3.6	V
Voltage range of "H" input	$V_{IH}$	$0.8V_{DD}$	-	$V_{DD}$	V
Voltage range of "L" input	$V_{IL}$	0	-	$0.2V_{DD}$	V
Operation temperature range	$T_{opr}$	-5	-	70	°C
Maximum output load	CL	-	-	15	pF

Multimedia ICs

●Electric Characteristics (Unless any specification, Vcc=3.3V, Ta=25°C, Crystal frequency=13.500MHz)

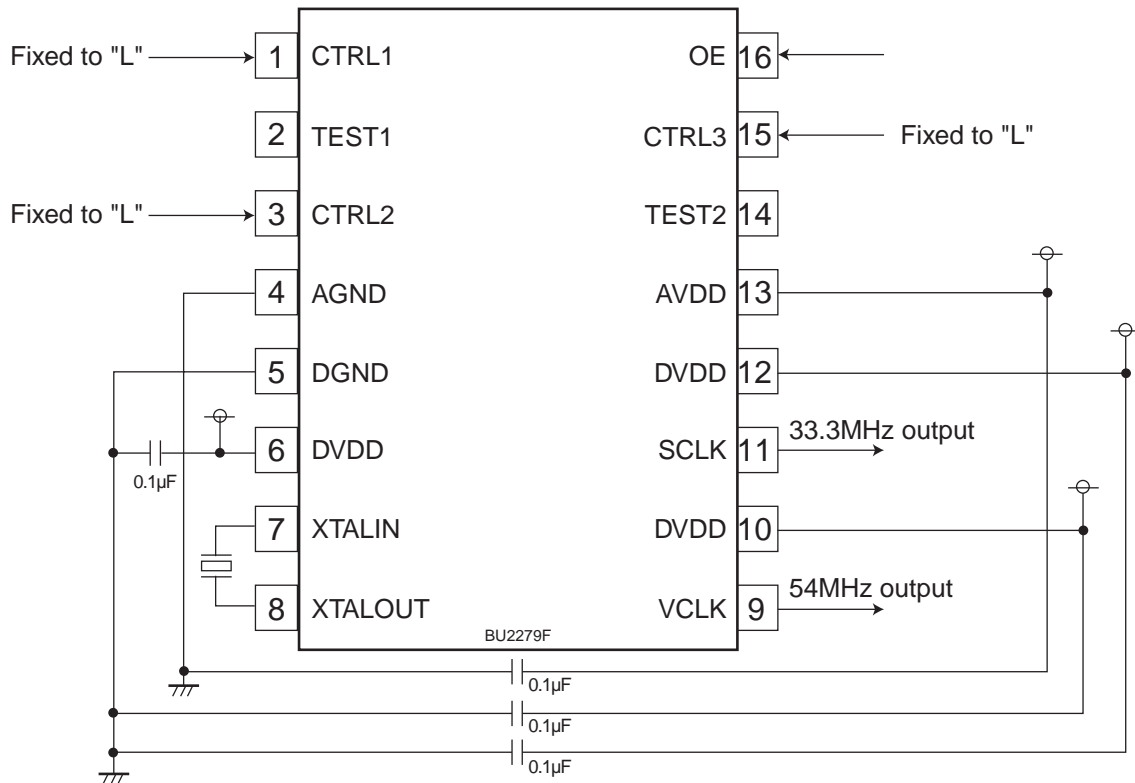
Parameter	Symbol	Min.	Typ.	Max.	Unit	Conditions
Output "L" voltage	V <sub>OL</sub>	–	–	0.4	V	I <sub>OL</sub> =4.0mA
Output "H" voltage	V <sub>OH</sub>	24	–	–	V	I <sub>OH</sub> =–4.0mA
Operation current	I <sub>DD</sub>	–	30	60	mA	No load
VCLK	VCLK	–	54.00	–	MHz	Xtal×160÷20÷2
SCLK	SCLK	–	33.333	–	MHz	Xtal×400÷27÷6
Design assurances						
VCLK Duty	Duty V	45	50	55	%	Measured at 1/2V <sub>DD</sub>
SCLK Duty	Duty S	48	53	58	%	Measured at 1/2V <sub>DD</sub>
Jitter1	Jstd1	–	80	–	psec	Jitter 1σ
Jitter2	Jstd2	–	400	–	psec	Jitter MIN=MAX
Rise time	tr	–	2.5	–	nsec	
Fall time	tr	–	2.5	–	nsec	
LOCK time of output	t <sub>LOCK</sub>	–	–	1	msec	*

Remarks ) The output frequency is calculated from the input frequency of XTALIN. The value of output frequency above is the case of input frequency is 13.5MHz.

The values of Jitter above are the center value of 10000 sampling by time interval analyzer.

\*) The time for output frequency to be stabilized after the power supply become 3.0V.

●Application circuit



Remarks ) The IC is basically needed to be on the board. (Unless it is on the board, the characteristics are not guaranteed.) Decoupling capacitance(0.1µF) is needed to be placed between 13PIN(AVDD) and 4PIN(AGND).Decoupling capacitance(0.1µF)is needed to be placed between 16PIN(DVDD) 10PIN(DVDD), 12PIN(DVDD) and 5PIN(DGND) each.

To adjust the frequency of crystal, place a certain value of capacitance(pF) between 7 or 8PIN and DGND. 2pin and 4pin are needed to be fixed to "OPEN" through the operation.