

SHINDENGEN

Super Fast Recovery Rectifiers

Dual

DE5LC40

400V 5A

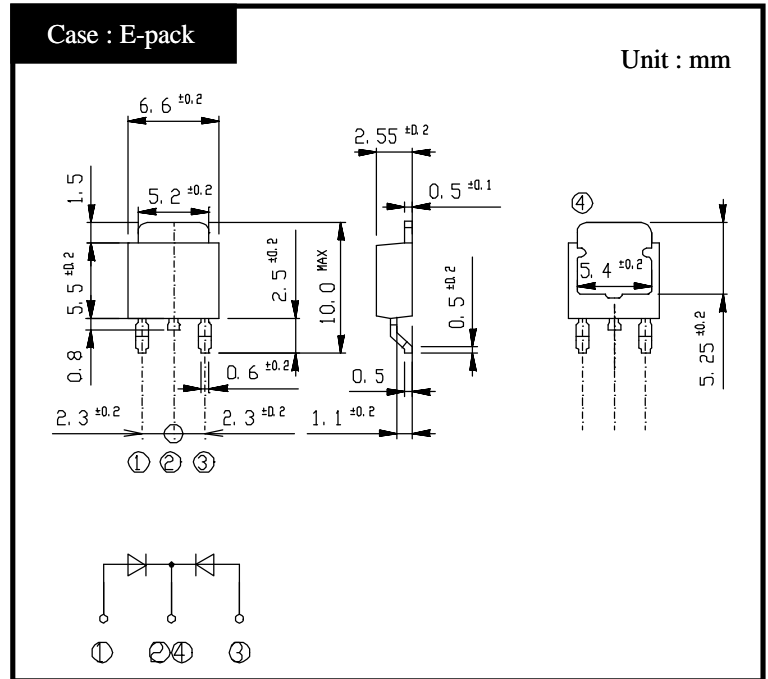
FEATURES

- SMT
- Low noise
- trr50ns

APPLICATION

- Switching power supply
- DC/DC converter
- Free Wheel
- Home Appliances, Office Equipment
- Telecommunication, Factory Automation

OUTLINE DIMENSIONS



RATINGS

Absolute Maximum Ratings (If not specified Tc=25)

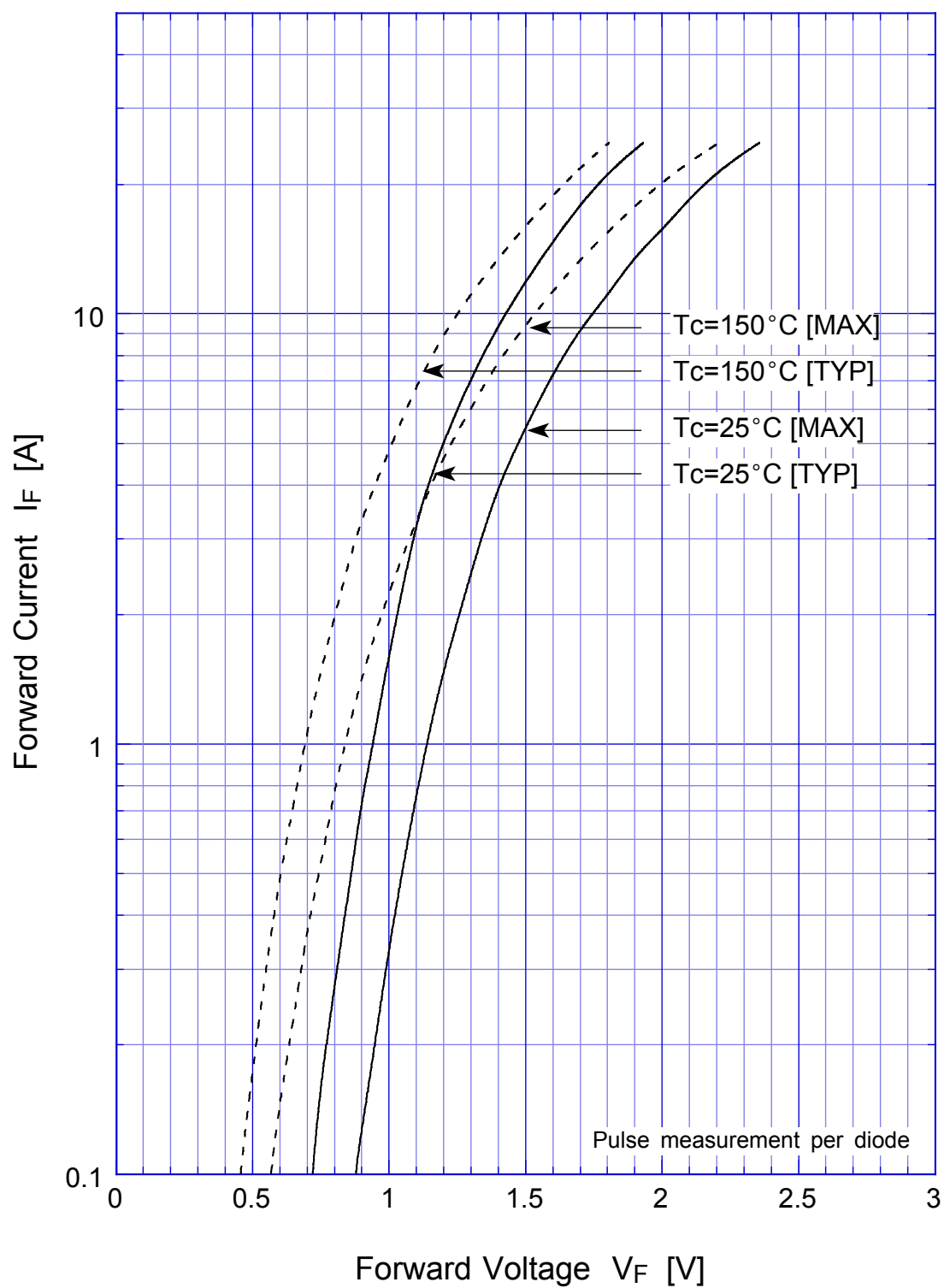
Item	Symbol	Conditions	Ratings	Unit
Storage Temperature	Tstg		-55 ~ 150	
Operating Junction Temperature	Tj		150	
Maximum Reverse Voltage	V _{RM}		400	V
Average Rectified Forward Current	I _O	50Hz sine wave, R-load, Rating for each diode I _O /2, Tc=61	5	A
Peak Surge Forward Current	I _{FSM}	50Hz sine wave, Non-repetitive 1 cycle peak value, Tj=25	50	A

Electrical Characteristics (If not specified Tc=25)

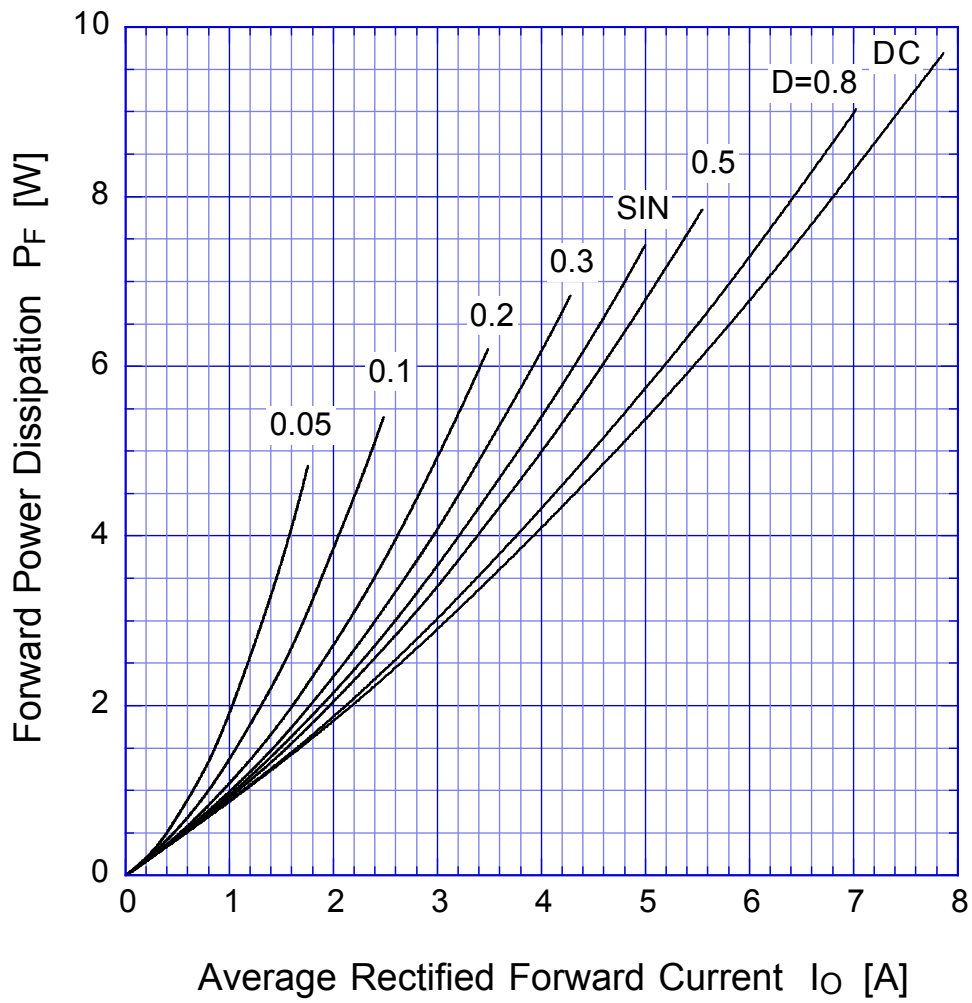
Item	Symbol	Conditions	Ratings	Unit
Forward Voltage	V _F	I _F =2.5A, Pulse measurement, Rating of per diode	Max.1.3	V
Reverse Current	I _R	V _R =V _{RM} , Pulse measurement, Rating of per diode	Max.10	μA
Reverse Recovery Time	trr	I _F =0.5A, I _R =1A, Rating of per diode	Max.50	ns
Thermal Resistance	j _c	junction to case	Max.12	/W
	j _a	junction to ambient	Max.55	/W

DE5LC40

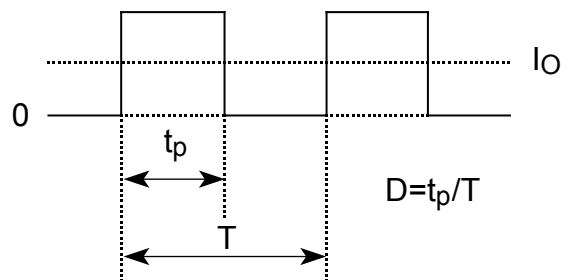
Forward Voltage



DE5LC40 Forward Power Dissipation

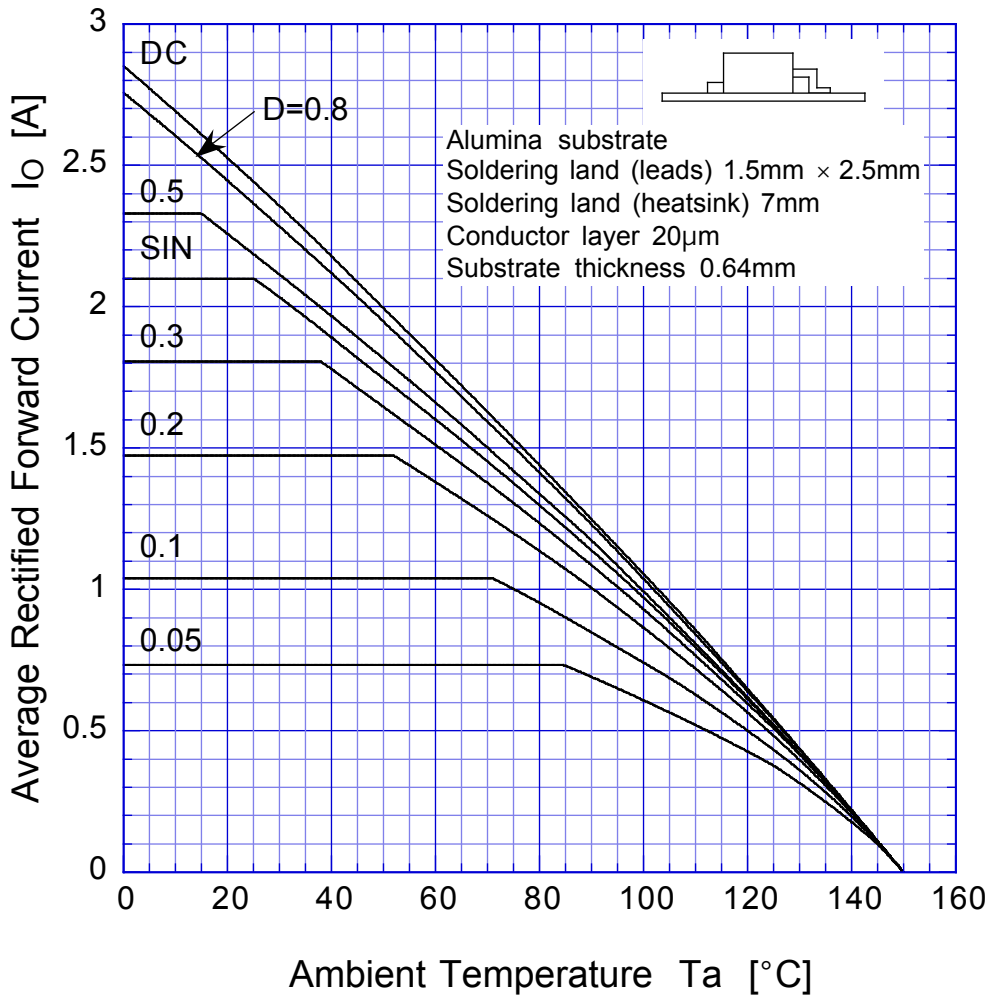


$T_j = 150^\circ\text{C}$

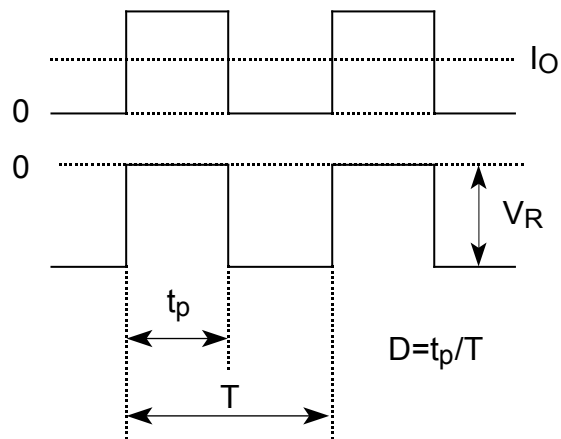


DE5LC40

Derating Curve

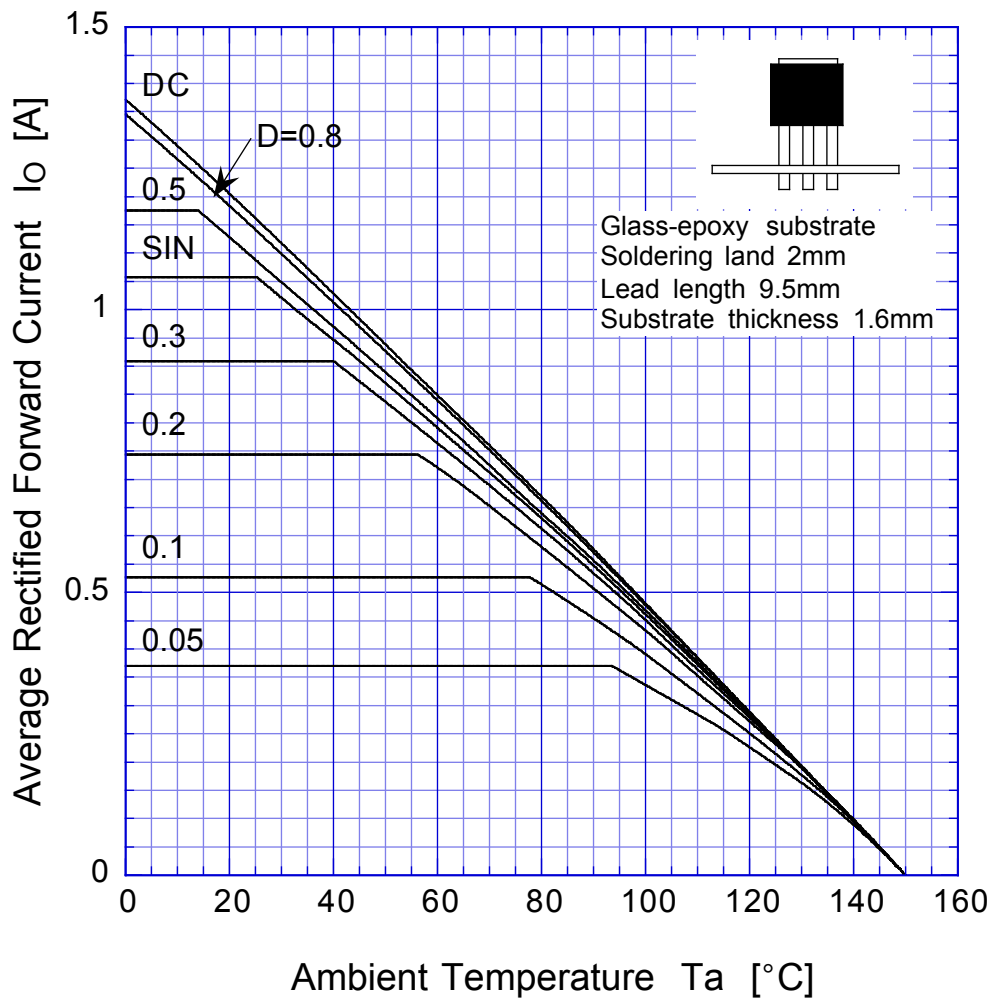


$$V_R = V_{RM}$$

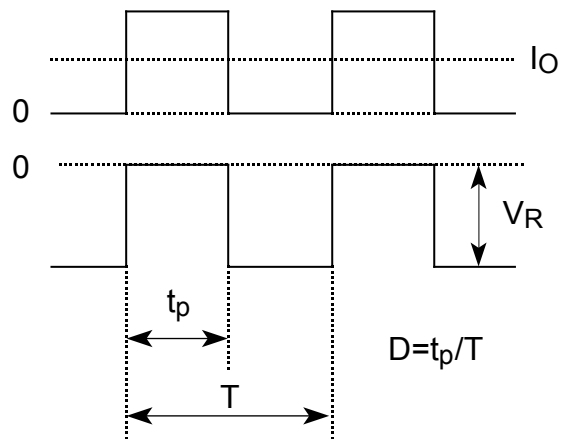


DE5LC40

Derating Curve

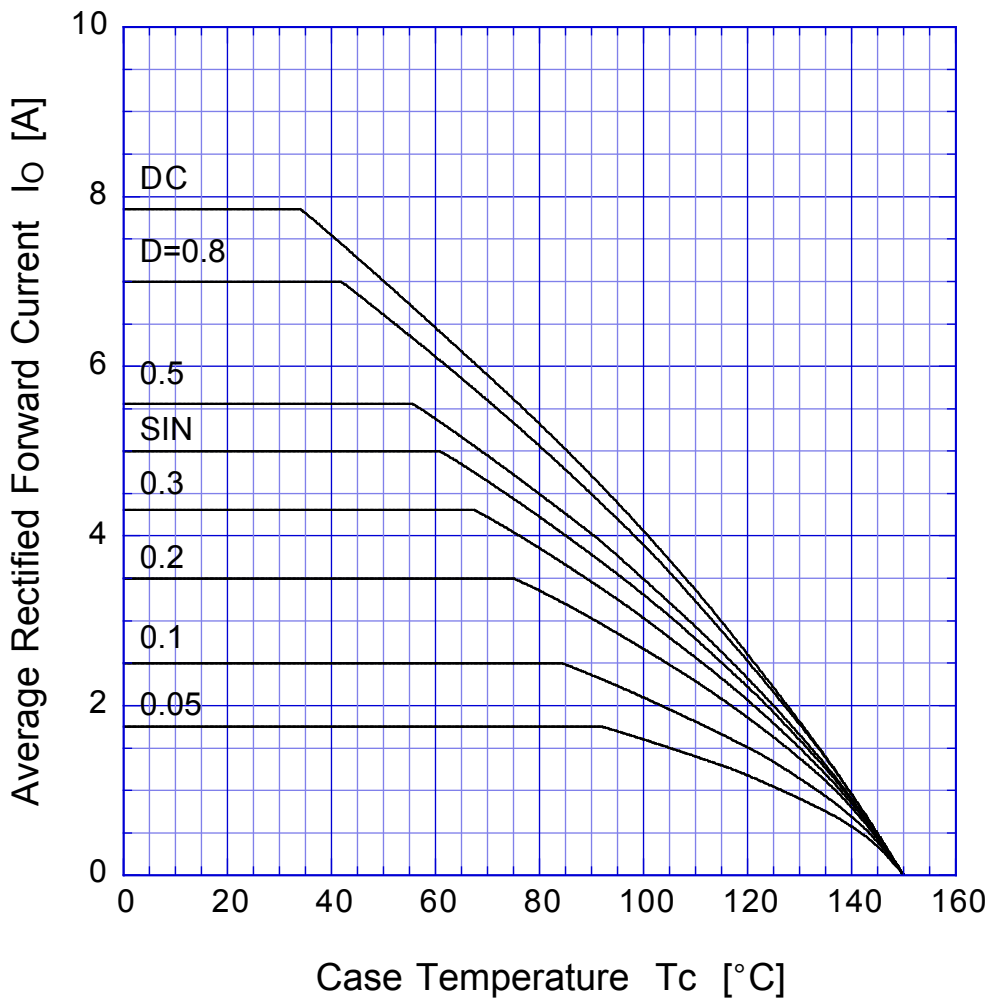


$$V_R = V_{RM}$$

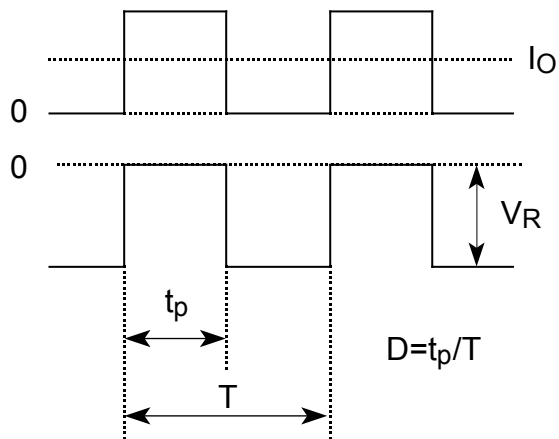


DE5LC40

Derating Curve

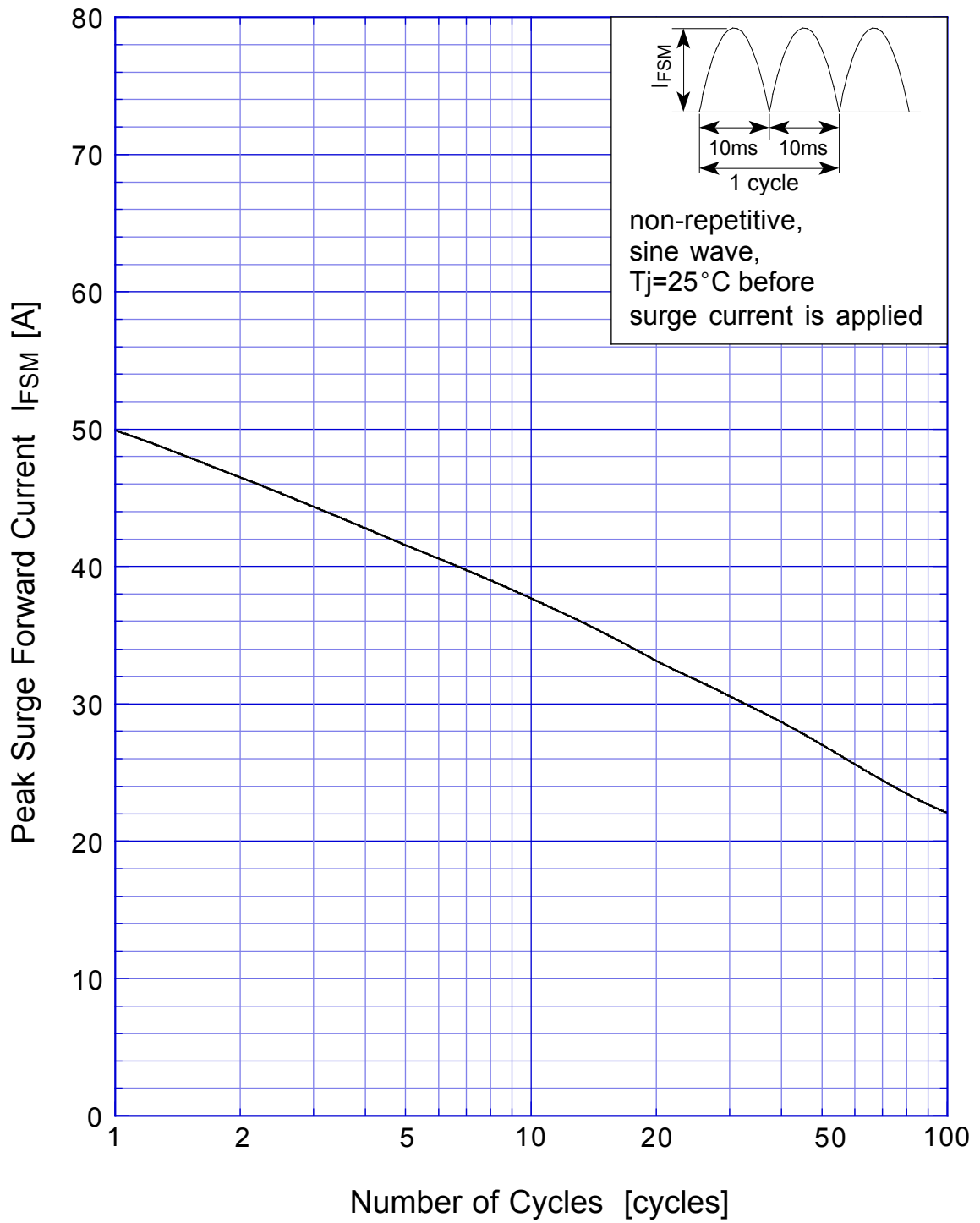


$$V_R = V_{RM}$$



DE5LC40

Peak Surge Forward Capability



DE5LC40 Junction Capacitance

