

# 5mm Ultra Bright LED

## MT3200A-UR

### Applications -

- Optical Sensor
- Indicators

### Features -

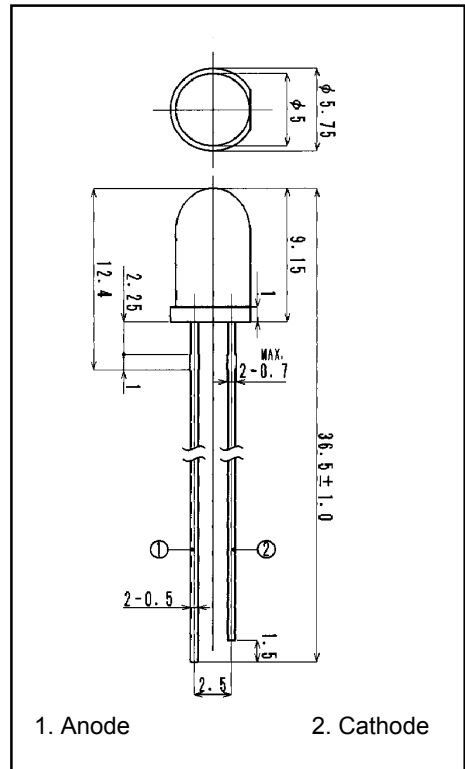
- High Luminous Intensity
- Narrow Beam Angle

### MAXIMUM RATINGS (Ta = 25°C)

CHARACTERISTIC	SYMBOL	RATING	UNIT
Forward Current	$I_F$	50	mA
Pulse IF*	$I_{FP}$	.5	A
Reverse Voltage	$V_R$	4	V
Power Dissipation	$P_D$	120	mW
Operating Temperature	$T_{opr}$	-20~80	°C
Storage Temperature	$T_{stg}$	-30~100	°C
Soldering Temperature**	$T_{sol}$	260	°C

\* $t_w=10\mu s$ ,  $T=10ms$

\*\*Time: 5 sec Max. Position: Up to 2mm from the body



### OPTO-ELECTRICAL CHARACTERISTICS (Ta = 25°C)

CHARACTERISTIC	SYMBOL	TEST CONDITION	MIN.	TYP.	MAX.	UNIT
Power Output	PO	IF = 20mA	—	5.0	—	mW
Forward Voltage	$V_F$	IF = 20mA	—	1.8	2.2	V
Reverse Current	$I_R$	VR = 4V	—	—	100	$\mu A$
Peak Emission Wavelength	$\lambda_p$	IF = 20mA	—	660	—	nm
Spectral Line Half Width	$\Delta\lambda$	IF = 20mA	—	25	—	nm
Beam Angle	$\theta$	—	—	±7	—	°



120 Broadway • Menands, New York 12204

Toll Free: (800) 98-4LEDS • Fax: (518) 432-7454

# 5mm Ultra Bright LED

## MT3200A-UR Graphs -

