



JRC-19F (4078)



21×10×12

UL US E158859

CS R2133344

Features

- Small size, light weight.
- Low coil power consumption.
- PC board mounting.
- Suitable for household electrical appliance, automation system, electronic equipment, instrument, meter, telecommunication facilities and remote control facilities.

Ordering Information

JRC-19F 2C 3V 0.2

1 2 3 4

1 Part number: JRC-19F

2 Contact arrangement: 2A:2A; 2C:2C;

3 Coil rated Voltage(V): DC:3,4.5,5,6,12,24,48,

4 Coil power consumption: 0.15:0.15W; 0.2:0.2W;

0.36:0.36W; 0.51:0.51W

Contact Data

Contact Arrangement	2A (DPSTNO), 2C (DPDT(B-M))	
Contact Material	Ag Ag-Ni(Au clad)	
Contact Rating (resistive)	2A/24VDC; 0.5A, 1A/125VAC, 30VDC ;	
Max. Switching Power	48W 60VA	
Max. Switching Voltage	24VDC 220VAC	Max. Switching Current:2A
Contact Resistance or Voltage drop	≤50mΩ	Item 3.12 of IEC255-7
Operation life	Electrical	10 ⁵ Item 3.30 of IEC255-7
	Mechanical	10 ⁷ Item 3.31 of IEC255-7

Coil Parameter

Dash numbers	Coil voltage VDC		Coil resistance Ω±10%	Pickup voltage VDC(max) (75%of rated voltage)	release voltage VDC(min) (10% of rated voltage)	Coil power consumption W	Operate Time ms	Release Time ms
	Rated	Max						
003-150	3	3.9	60	2.25	0.3	0.15	≤6	≤5
004-150	4.5	5.9	135	3.15	0.45			
005-150	5	6.5	166.7	3.50	0.5			
006-150	6	7.8	240	4.20	0.6			
012-150	12	15.6	960	8.40	1.2			
024-150	24	31.2	3840	18.0	2.4			
003-200	3	3.9	45	2.25	0.3	0.20	≤6	≤5
004-200	4.5	5.9	101	3.15	0.45			
005-200	5	6.5	125	3.50	0.5			
006-200	6	7.8	180	4.20	0.6			
012-200	12	15.6	720	8.40	1.2			
024-200	24	31.2	2880	18.0	2.4			
003-360	3	3.9	25	2.25	0.3	0.36	≤6	≤5
004-360	4.5	5.9	56	3.15	0.45			
005-360	5	6.5	70	3.50	0.5			
006-360	6	7.8	100	4.20	0.6			
012-360	12	15.6	400	8.40	1.2			
024-360	24	31.2	1600	18.0	2.4			
003-510	3	3.9	17.6	2.25	0.3	0.51	≤6	≤5
004-510	4.5	5.9	39.7	3.15	0.45			
005-510	5	6.5	49	3.50	0.5			
006-510	6	7.8	70.6	4.20	0.6			
012-510	12	15.6	282.4	8.40	1.2			
024-510	24	31.2	1129.4	18.0	2.4			
048-510	48	62.4	4517.6	36.0	4.8			

CAUTION: 1.The use of any coil voltage less than the rated coil voltage will compromise the operation of the relay.
2.Pickup and release voltage are for test purposes only and are not to be used as design criteria.

Operation condition

Insulation Resistance	1000MΩ min (at 500VDC)	Item 7 of IEC255-5
Dielectric Strength		
Between contacts	50Hz 500V	Item 6 of IEC255-5
Between contact and coil	50Hz 1000V	Item 6 of IEC255-5
Shock resistance	500m/s ² 11ms	IEC68-2-27 Test Ea
Vibration resistance	10~70Hz double amplitude 1.5mm	IEC68-2-6 Test Fc
Terminals strength	5N	IEC68-2-21 Test Ua1
Solderability	235℃ ± 2℃ 3 ± 0.5s	IEC68-2-20 Test Ta method 1
Ambient Temperature	-30~70℃	
Relative Humidity	85% (at 40℃)	IEC68-2-3Test Ca
Mass	5g	

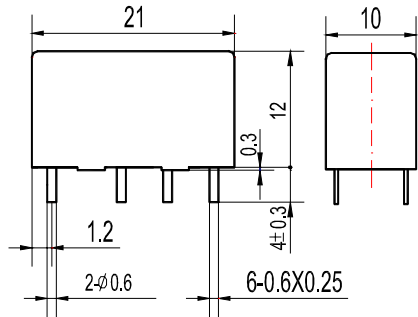
Qualification inspection:

Perform the qualification test as specified in the table IV of IEC255-19-1 and minimum sample size 24.

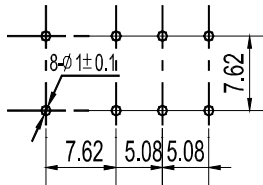
Safety approvals

Safety approval	UL&CUR	TüV
Load	1A/24VDC	1A/125VAC;24DC

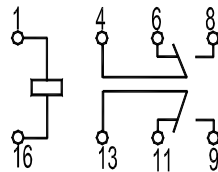
Dimensions (Unit: mm)



Dimensions



Mounting (Bottom views)



Wiring diagram
(Bottom views)

mm	inch
0.25	0.010
0.3	0.012
0.6	0.024
1.0	0.039
1.2	0.047
4.0	0.157
5.08	0.200
7.62	0.300
10	0.394
12	0.472
21	0.827

NOTES 1).Dimensions are in millimeter.

2).Inch equivalents are given for general information only.

Reference Data

