

Advanced PWM and Dual Fixed Linear Power Controller

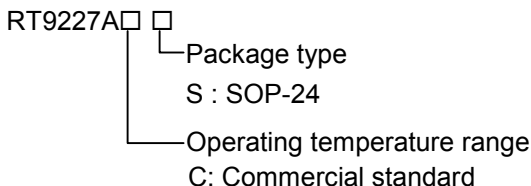
General Description

The RT9227A is a 3-in-one power controller optimized for high-performance microprocessor and computer applications. The IC integrates a synchronous buck PWM controller, a linear regulator and a linear controller as well as monitoring and protection functions into a 24-pin SOP package. The PWM controller regulates the microprocessor core voltage. The linear regulator provides power for the clock driver circuit and the linear controller regulates power for the GTL bus.

The RT9227A features an Intel-compatible, TTL 5-bit programmable DAC that adjusts the core voltage from 2.1V to 3.5V in 0.1V increments and from 1.3V to 2.05V in 0.05V steps. The 5-bit DAC has a typical $\pm 1\%$ tolerance. The linear regulator uses an internal drive device to provide a fixed 2.5V $\pm 2.5\%$ output voltage. The linear controller drives an external N-channel MOSFET or a low cost NPN bipolar transistor to provide a fixed 1.5V $\pm 2.5\%$.

The RT9227A monitors all the output voltages. A Power-good signal is issued when the core voltage is within $\pm 10\%$ of the DAC setting and the other levels are above their under-voltage levels. Additional build-in over-voltage protection for the core output uses the lower MOSFET to prevent output voltage above 115% of the DAC setting. The PWM over-current function monitors the output current using the voltage drop across the upper MOSFET's $R_{DS(ON)}$, which eliminates the need for a current sensing resistor.

Ordering Information



Features

- 3-in-one Regulated Voltages for Microprocessor Core, Clock, and GTL
- Compatible with HIP6016
- Power-good Output Voltage Monitor

Switching section

- 5-bit DAC Programmable from 1.3V to 3.5V
- $\pm 1\%$ DAC Accuracy
- Fast Transient Response
- Full 0% to 100% Duty Cycle Driver
- Fixed 200kHz Switching Frequency
- Adaptive Non-overlapping Gate Driver
- Over-current Monitor Uses MOSFET $R_{DS(ON)}$
- Over-voltage Protection Uses Lower MOSFET

Linear Section

- Fixed Linear Regulator Output Voltage
- MOSFET or NPN Driving Capability
- Ultra Fast Response Speed
- Under-voltage Protection
- Internal Thermal Shutdown

Applications

- Full Motherboard Power Regulation for Computer
- Low-voltage Distributed Power Supplies

Pin Configurations

Part Number	Pin Configurations
RT9227ACS (Plastic SOP-24)	TOP VIEW
	VCC [1] [24] UGATE1
	VID4 [2] [23] PHASE1
	VID3 [3] [22] LGATE1
	VID2 [4] [21] PGND
	VID1 [5] [20] OCSET1
	VID0 [6] [19] VSEN1
	PGOOD [7] [18] FB1
	FAULT [8] [17] NC
	SS [9] [16] FB3
	NC [10] [15] GATE3
	FB2 [11] [14] GND
	VIN2 [12] [13] VOT2

Absolute Maximum Ratings

- Supply Voltage +15V
- PGOOD and GATE Voltage GND-0.3V to V_{CC}+0.3V
- Input, Output or I/O Voltage GND- 0.3V to 7V
- Ambient Temperature Range 0°C to +70°C
- Junction Temperature Range 0°C to +125°C
- Storage Temperature Range -65°C to +150°C
- Lead Temperature (Soldering, 10 sec.) 300°C
- Package Thermal Resistance
SOP-24,θ_{JA} 75°C/W

Recommended Operating Conditions

- Supply Voltage +12V±10%
- Ambient Temperature Range 0°C to 70°C
- Junction Temperature Range 0°C to 125°C

CAUTION:

Stresses beyond the ratings specified in “Absolute Maximum Ratings” may cause permanent damage to the device. This is a stress only rating and operation of the device at these or any other conditions above those indicated in the operational sections of this specification is not implied.

Electrical Characteristics

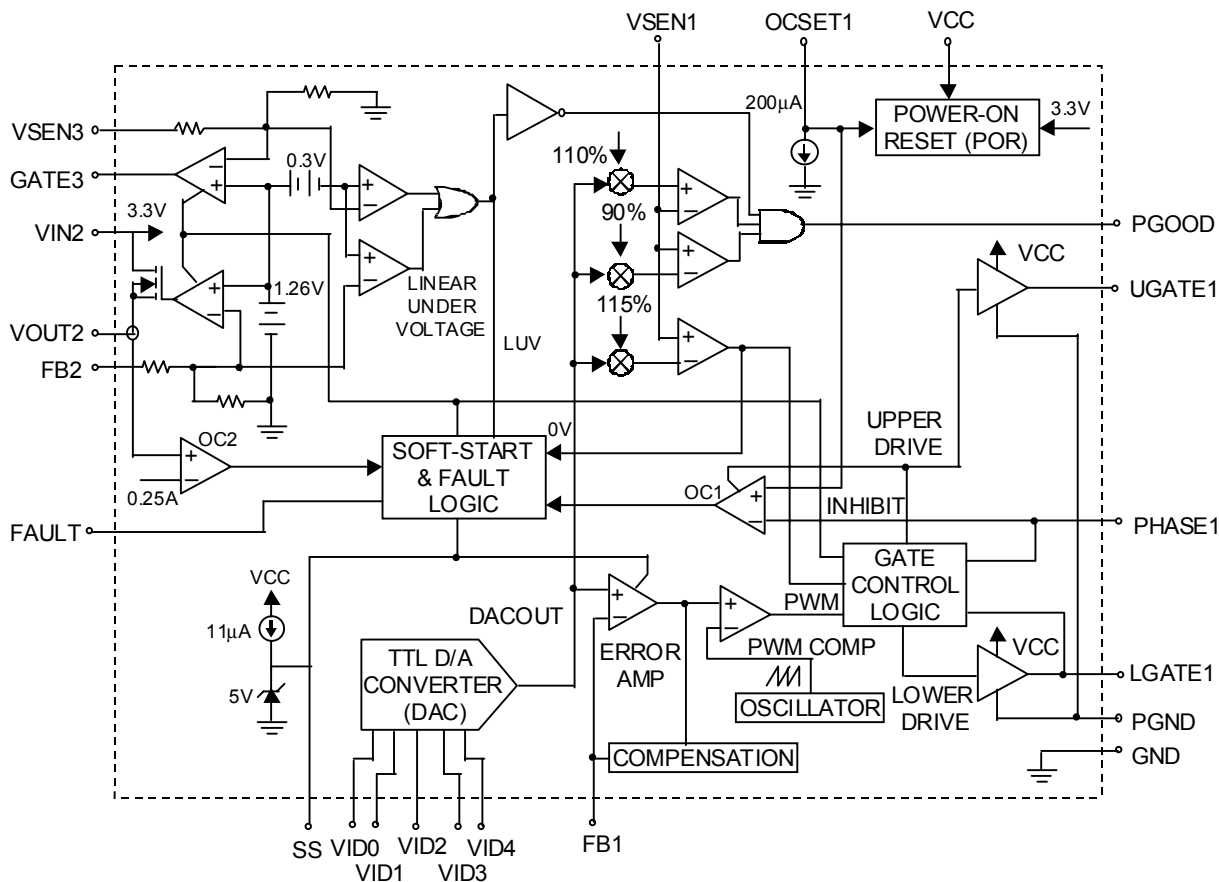
(V_{CC} = 12V, PGND = 0V, T_A = 25°C, unless otherwise specified)

Parameter	Symbol	Test Conditions	Min	Typ	Max	Units
VCC Supply Current						
Nominal Supply Current	I _{CC}	UGATE1, GATE3, LGATE1, and VOUT2 Open	--	10	--	mA
Power-On Reset						
VCC Rising Threshold		V _{OCSET1} = 4.5V	7.5	--	9.5	V
VCC Falling Threshold		V _{OCSET1} = 4.5V	7	--	9	V
Rising VIN2 Under-Voltage Threshold			--	--	2.8	V
VIN2 Under-Voltage Hysteresis			--	0.5	--	V
Rising V _{OCSET1} Threshold			--	1.25	--	V
Oscillator						
Free Running Frequency			180	200	225	KHz
Ramp Amplitude	ΔV _{OSC}		--	1.9	--	V _{P-P}
Reference and DAC						
DAC (VID0 – VID4) Input Low Voltage			--	--	0.8	V
DAC (VID0 – VID4) Input High Voltage			2.0	--	--	V
DACOUT Voltage Accuracy		DACOUT = 2.05 ~ 3.50V	-1	--	1	%
DACOUT Voltage Accuracy		DACOUT = 1.30 ~ 2.00V	-1%	--	20mV	--

To be continued

Parameter	Symbol	Test Conditions	Min	Typ	Max	Units
Linear Regulator						
Regulation Voltage	V _{REG}	10mA < I _{VOUT2} < 150mA	2.437	2.500	2.563	V
Under-Voltage Level		FB2 Rising	--	1.875	2.175	V
Under-Voltage Hysteresis			--	100	--	mV
Over-Current Protection			180	230	--	mA
Over-Current Protection During Start-Up			--	700	--	mA
Linear Controller						
Regulation Voltage	V _{REG}	VSEN3 = GATE3 0 < I _{GATE3} < 20mA	1.462	1.500	1.538	V
Under-Voltage Level		FB3 Rising	--	1.125	1.305	V
Under-Voltage Hysteresis			--	100	--	mV
PWM Controller Error Amplifier						
DC Gain			--	65	--	dB
PWM Controller Gate Driver						
UGATE Source	R _{UGATE1}	VCC = 12V VCC - V _{UGATE1} = 1V	--	3	7	Ω
UGATE Sink	R _{UGATE1}	V _{UGATE1} = 1V	--	3	7	Ω
LGATE Source	I _{LGATE1}	VCC = 12V, V _{LGATE1} = 2V	--	1	--	A
LGATE Sink	R _{LGATE1}	V _{LGATE1} = 1V	--	2	6	Ω
Protection						
V _{OUT1} Over-Voltage Trip		VSEN1 Rising	112	115	120	%
FAULT Sourcing Current		V _{FAULT} = 8V	10	14	--	mA
OCSET1 Current Source	I _{OCSET}	V _{OCSET1} = 4.5V	170	200	230	μA
Soft-Start Current	I _{SS}	V _{SS} = 1V	--	11	--	μA
Power Good						
V _{OUT1} Upper Threshold		VSEN1 Rising	108	--	112	%
V _{OUT1} Under Voltage		VSEN1 Rising	89	--	95	%
V _{OUT1} Hysteresis (VSEN1 / DACOUT)		Upper/Lower Threshold	--	2	--	%
PGOOD Voltage Low	V _{PGOOD}	I _{PGOOD} = -4mA	--	--	0.5	V

Function Block Diagram



Functional Pin Description

VCC (Pin 1)

Provide a 12V bias supply for the IC to this pin. This pin also provides the gate bias charge for all the MOSFETs controlled by the IC.

VID0, VID1, VID2, VID3, VID4 (Pin 6, 5, 4, 3, and 2)

VID0-4 are the input pins to the 5-bit DAC. The states of these five pins program the internal voltage reference, DACOUT. The level of DACOUT sets the core converter output voltage. It also sets the core PGOOD and OVP thresholds. Table 1 specifies the DACOUT voltage of 32 combinations of VID levels.

PGOOD (Pin 7)

PGOOD is an open collector output used to indicate the status of the output voltage. This pin is pulled low

when the core output is not within $\pm 10\%$ of the DACOUT reference voltage and the other outputs are below their under-voltage thresholds.

The PGOOD output is open for '11111' VID codes that inhibit operation. See table 1.

FAULT (Pin 8)

This pin is low during normal operation, but it is pulled to about 8V ($V_{CC} = 12V$) in the event of an over-voltage or over-current condition.

SS (Pin 9)

Connect a capacitor from this pin to ground. This capacitor, along with an internal $11\mu A$ ($V_{SS} > 1V$) current source, sets the soft-start interval of the converter.

FB2 (Pin 11)

Connect this pin to V_{OUT2} to set the linear regulator output voltage.

VIN2 (Pin 12)

This pin supplies power to the internal regulator. Connect this pin to a suitable 3.3V source. Additionally, this pin is used to monitor the 3.3V supply. If, following a startup cycle, the voltage drops below 2.55V (typically), the chip shuts down. A new soft-start cycle is initiated upon return of the 3.3V supply above the under-voltage threshold.

VOUT2 (Pin 13)

Output of the linear regulator. Supplies current up to 230mA.

GND (Pin 14)

Signal ground for the IC. All voltage levels are measured with respect to this pin.

GATE3 (Pin 15)

Connect this pin to the gate of an external MOSFET or the base of an NPN. This pin provides the drive for the linear controller's pass transistor.

FB3 (Pin 16)

Connect this pin to V_{OUT3} to set the linear controller output voltage.

FB (Pin 18)

The FB1 pin is the inverting input of the error amplifier.

VSEN1 (Pin 19)

This pin is connected to the PWM converter's output voltage. The PGOOD and OVP comparator circuits use this signal to report output voltage status and for over voltage protection.

OCSET1 (Pin 20)

Connect a resistor (R_{OCSET1}) from this pin to the drain of the upper MOSFET. R_{OCSET1} , an internal 200 μ A current source (I_{OCSET1}), and the upper MOSFET on-resistance ($R_{DS(ON)}$) set the PWM

converter over-current (OC) trip point according to the following equation:

$$I_{PEAK} = \frac{I_{OCSET1} \times R_{OCSET1}}{R_{DS(ON)}}$$

PGND (Pin 21)

This is the power ground of UGATE1 and LGATE1. Tie the PWM converter's lower MOSFET source to this pin.

LGATE1 (Pin 22)

Connect LGATE1 to the PWM converter's lower MOSFET gate. This pin provides the gate drive for the lower MOSFET.

An over-current trip cycles the soft-start function. Sustaining an over-current for 2 soft-start intervals shuts down the controller.

PHASE1 (Pin 23)

Connect the PHASE1 pin to the PWM converter's upper MOSFET source. This pin is used to monitor the voltage drop across the upper MOSFET for over-current protection.

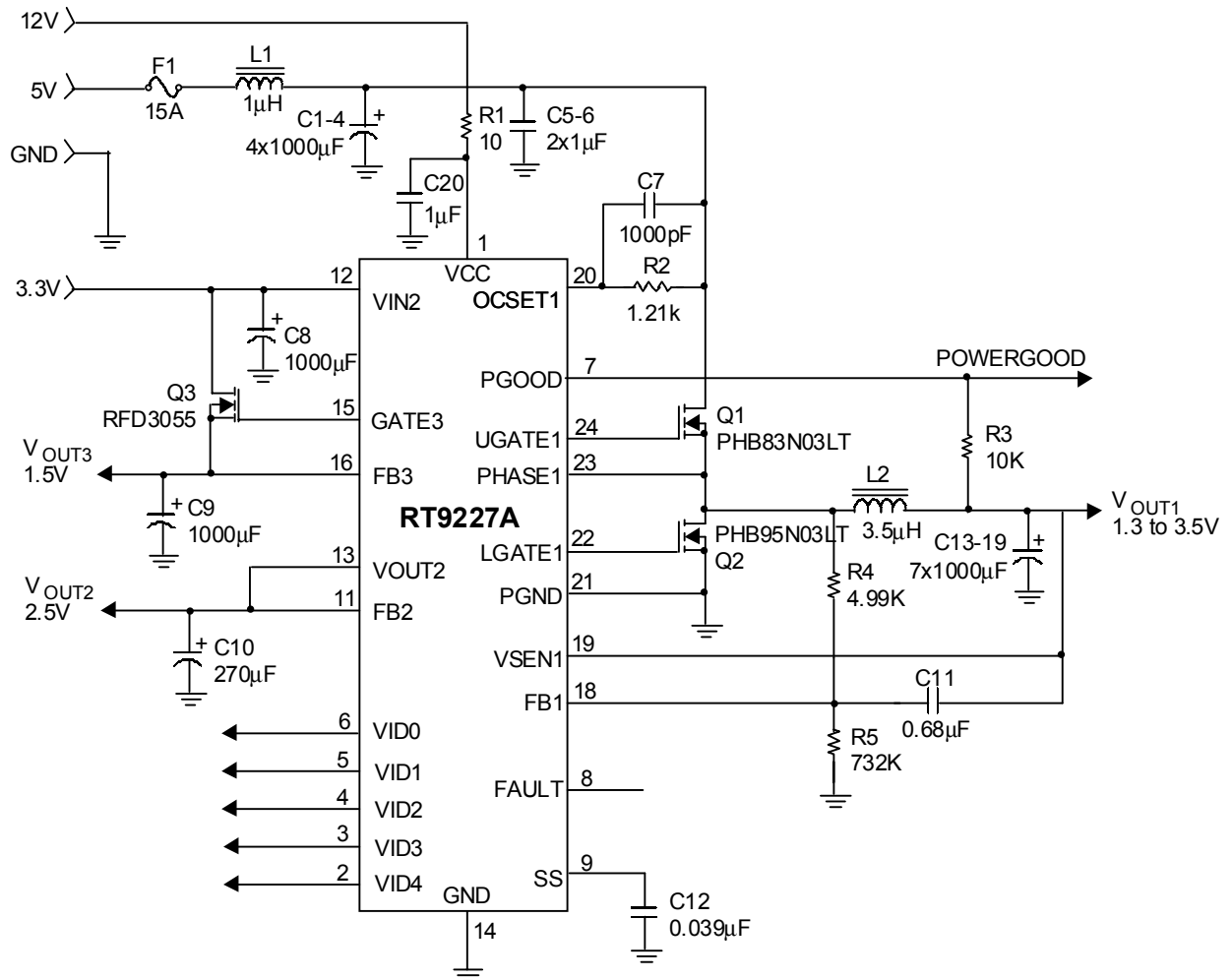
UGATE1 (Pin 24)

Connect UGATE pin to the PWM converter's upper MOSFET gate. This pin provides the gate drive for the upper MOSFET.

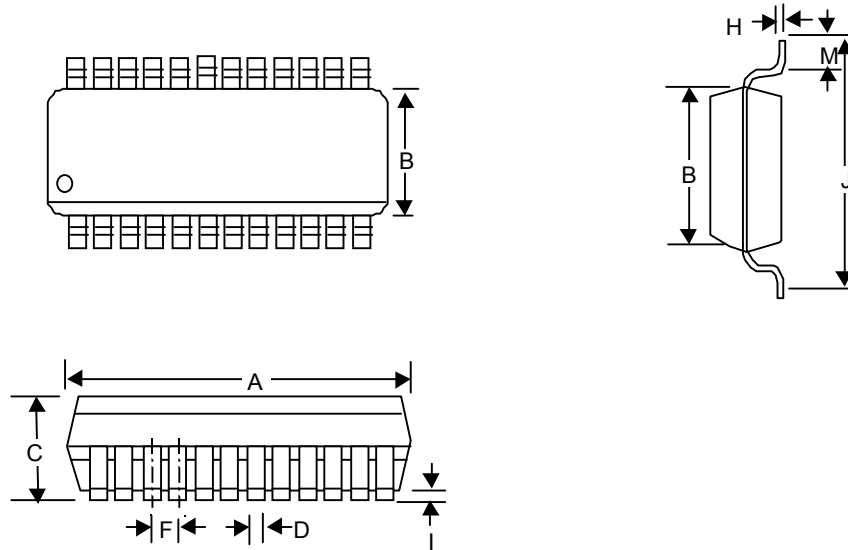
Table 1. VOUT1 Voltage Program

Pin Name					Normal OUT1 Voltage DACOUT
VID4	VID3	VID2	VID1	VID0	
0	1	1	1	1	1.30
0	1	1	1	0	1.35
0	1	1	0	1	1.40
0	1	1	0	0	1.45
0	1	0	1	1	1.50
0	1	0	1	0	1.55
0	1	0	0	1	1.60
0	1	0	0	0	1.65
0	0	1	1	1	1.70
0	0	1	1	0	1.75
0	0	1	0	1	1.80
0	0	1	0	0	1.85
0	0	0	1	1	1.90
0	0	0	1	0	1.95
0	0	0	0	1	2.00
0	0	0	0	0	2.05
1	1	1	1	1	INHIBIT
1	1	1	1	0	2.10
1	1	1	0	1	2.20
1	1	1	0	0	2.30
1	1	0	1	1	2.40
1	1	0	1	0	2.50
1	1	0	0	1	2.60
1	1	0	0	0	2.70
1	0	1	1	1	2.80
1	0	1	1	0	2.90
1	0	1	0	1	3.00
1	0	1	0	0	3.10
1	0	0	1	1	3.30
1	0	0	1	0	3.30
1	0	0	0	1	3.40
1	0	0	0	0	3.50

Typical Application Circuit



Package Information



Symbol	Dimensions In Millimeters		Dimensions In Inches	
	Min	Max	Min	Max
A	15.189	15.596	0.598	0.614
B	7.391	7.595	0.291	0.299
C	2.362	2.642	0.093	0.104
D	0.330	0.508	0.013	0.020
F	1.194	1.346	0.047	0.053
H	0.229	0.330	0.009	0.013
I	0.102	0.305	0.004	0.012
J	10.008	10.643	0.394	0.419
M	0.381	1.270	0.015	0.050

RICHTEK TECHNOLOGY CORP.

Headquarter

6F, No. 35, Hsintai Road, Chupei City

Hsinchu, Taiwan, R.O.C.

Tel: (8863)5510047 Fax: (8863)5537749

RICHTEK TECHNOLOGY CORP.

Taipei Office (Marketing)

8F-1, No. 137, Lane 235, Paochiao Road, Hsintien City

Taipei County, Taiwan, R.O.C.

Tel: (8862)89191466 Fax: (8862)89191465

Email: marketing@richtek-ic.com.tw