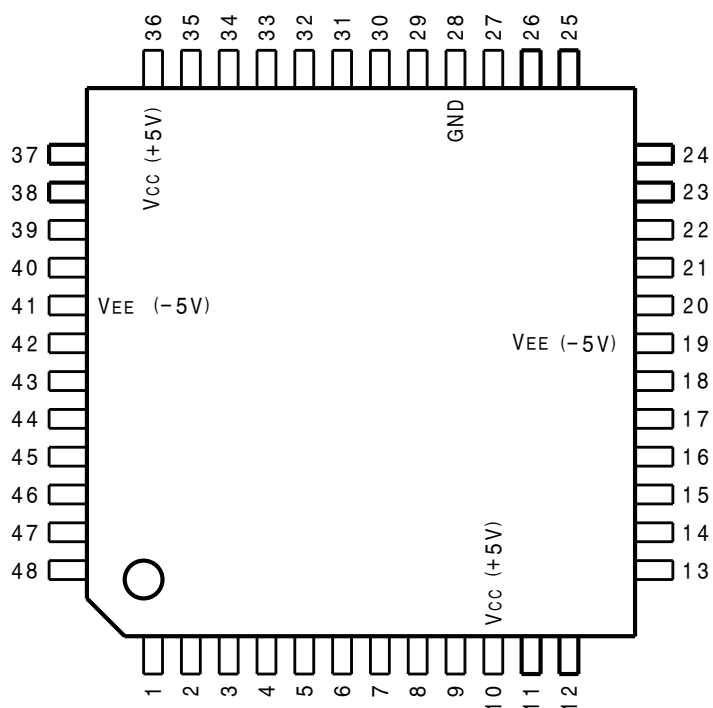
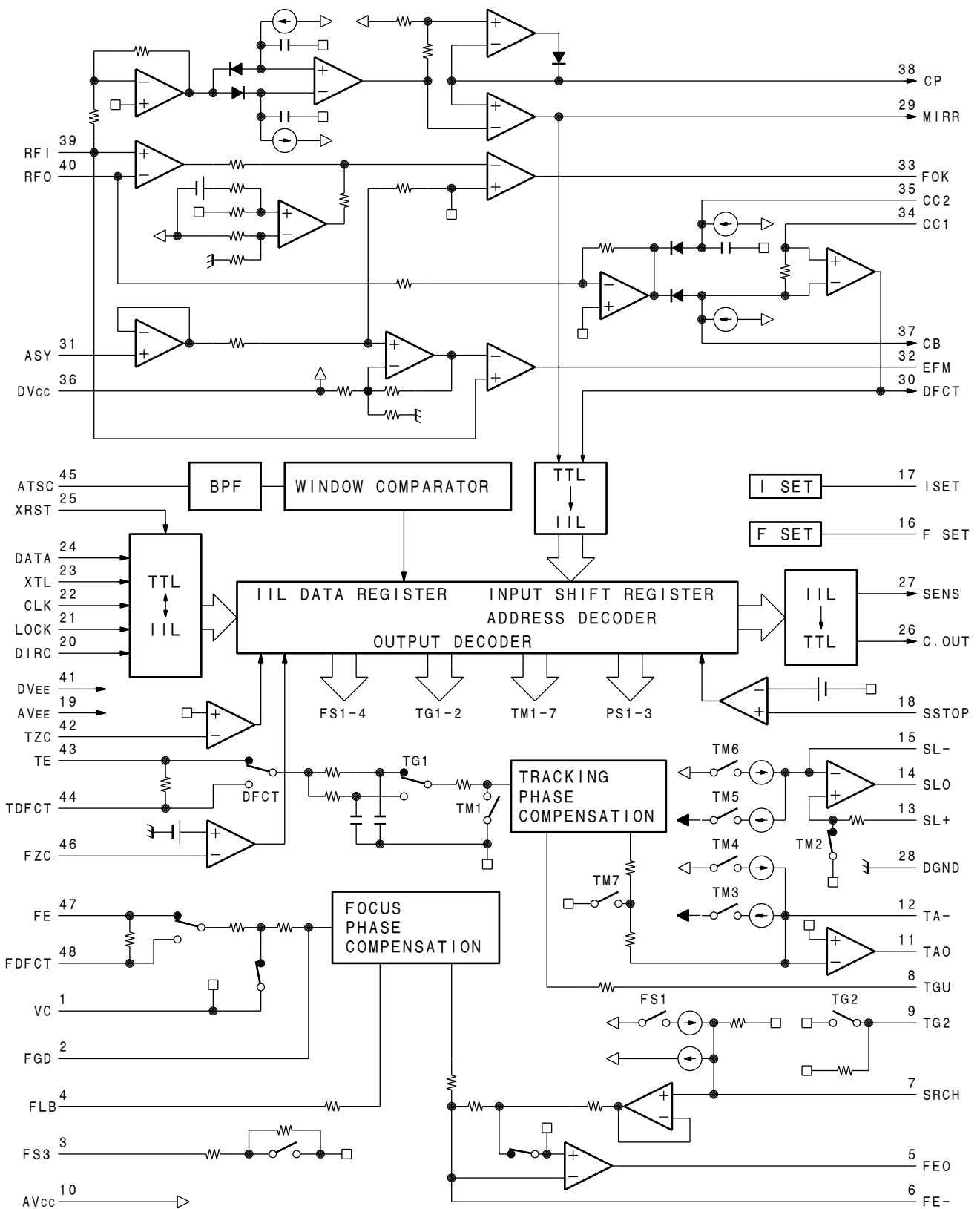
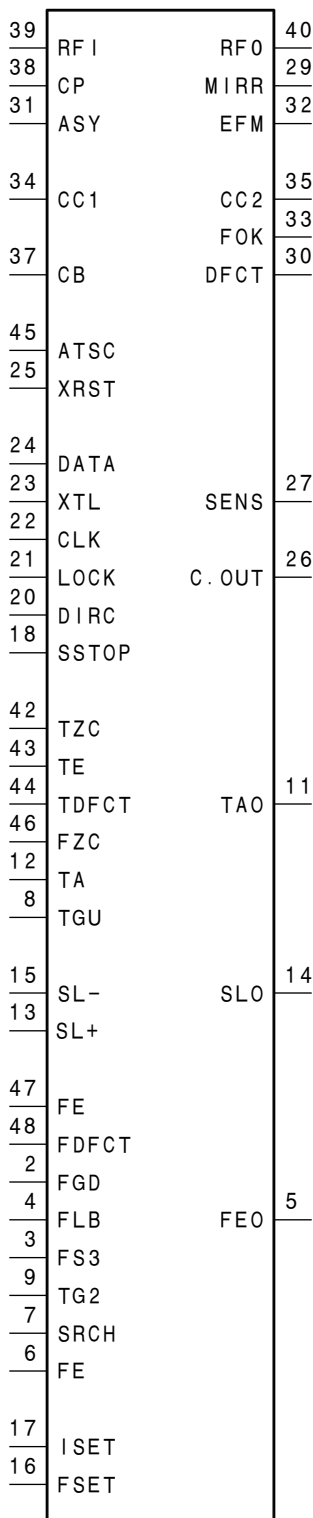

RF SIGNAL PROCESSING SERVO AMP FOR CD PLAYER

-TOP VIEW-

(V_{DD} = +5V)

| PIN No. | I/O | SIGNAL | PIN No. | I/O | SIGNAL | PIN No. | I/O | SIGNAL | PIN No. | I/O | SIGNAL |
|---------|-----|-----------------------|---------|-----|-----------|---------|-----|-----------------------|---------|-----|-----------|
| 1 | I | VC | 13 | I | SL+ | 25 | I | XRST | 37 | I | CB |
| 2 | I | FGD | 14 | O | SLO | 26 | O | C. OUT | 38 | I | CP |
| 3 | I | FS3 | 15 | I | SL- | 27 | O | SENS | 39 | I | RF I |
| 4 | I | FLB | 16 | I | FSET | 28 | - | GND | 40 | O | RFO |
| 5 | O | FE0 | 17 | I | ISET | 29 | O | MIRR | 41 | - | VEE (-5V) |
| 6 | I | FE- | 18 | I | SSTOP | 30 | O | DFCT | 42 | I | TZC |
| 7 | I | SRCH | 19 | - | VEE (-5V) | 31 | I | ASY | 43 | I | TE |
| 8 | I | TGU | 20 | I | DIRC | 32 | O | EFM | 44 | I | TDFCT |
| 9 | I | TG2 | 21 | I | LOCK | 33 | O | FOK | 45 | I | ATSC |
| 10 | - | V _{CC} (+5V) | 22 | I | CLK | 34 | I | CC1 | 46 | I | FZC |
| 11 | O | TA0 | 23 | I | XLT | 35 | O | CC2 | 47 | I | FE |
| 12 | I | TA- | 24 | I | DATA | 36 | - | V _{CC} (+5V) | 48 | I | FDFCT |





INPUT

ASY ; INPUT PIN OF AUTO ASYMMETRY CONTROL.
 CB ; CONNECTION PIN OF DEFECT BOTTOM HOLD CAPACITOR.
 CC1 ; OUTPUT PIN OF DEFECT BOTTOM HOLD.
 CLK ; SERIAL DATA TRANSFER CLOCK INPUT FROM CPU.
 CP ; CONNECTING PIN OF MIRR HOLD CONDENSER.
 NON-INVERTED INPUT PIN OF MIRR COMPARATOR.
 DATA ; SERIAL DATA INPUT FROM CPU.
 DIRC ; PIN FOR ONE-TRACK JUMP. CONTAINS A 47kΩ PULL-UP RESISTOR.
 FDFCT ; CAPACITOR CONNECTING PIN FOR
 TIME CONSTANT DURING DEFECT FUNCTIONS.
 FE ; INPUT PIN OF FOCUS ERROR.
 FE- ; INVERSE INPUT PIN FOR FOCUS AMPLIFIER.
 FGD ; CONNECT A CAPACITOR BETWEEN THIS PIN AND
 PIN 3 TO REDUCE HIGH-FREQUENCY GAIN.
 FLB ; TIME CONSTANT EXTERNAL PIN TO RAISE THE
 LOW BANDWIDTH OF THE FOCUS SERVO.
 FS3 ; THE HIGH-FREQUENCY GAIN OF THE FOCUS
 SERVO IS SWITCHED THROUGH FS3 ON AND OFF.
 FSET ; PIN TO SET PEAK FREQUENCY OF FOCUS TRACKING
 PHASE COMPENSATION AND FC OF CLV LPF.
 FZC ; PIN FOR FOCUS ZERO-CROSS COMPARATOR INPUT.
 ISET ; CURRENT IS INPUT TO DETERMINE FOCUS SEARCH,
 TRACK JUMP, AND SLED KICK HEIGHT.
 LOCK ; AT L SLED RUNAWAY PREVENTION CIRCUIT OPERATES.
 CONTAINS A 47kΩ PULL-UP RESISTOR.
 RF1 ; INPUT PIN WITH COUPLING CAPACITOR WHERE RF
 SUMMING AMPLIFIER OUTPUT IS CONNECTED.
 SL+ ; NON-INVERSE INPUT PIN FOR SLED AMPLIFIER.
 SL- ; INVERSE INPUT PIN FOR SLED AMPLIFIER.
 SRCH ; TIME CONSTANT EXTERNAL PIN FOR THE
 FORMATION OF FOCUS SEARCH WAVEFORMS.
 SSTOP ; LIMIT SW ON/OFF SIGNAL DETECTION PIN FOR
 DISC INNER PERIPHERY DETECTION.
 TA- ; INVERSE INPUT PIN FOR TRACKING AMPLIFIER.
 TDFCT ; CAPACITOR CONNECTING PIN FOR TIME CONSTANT DURING DEFECTS.
 TE ; INPUT PIN OF TRACKING ERROR AMPLIFIER.
 TG2 ; TIME CONSTANT EXTERNAL PIN FOR
 THE SELECTION OF TRACKING HIGH BAND GAIN.
 TGU ; TIME CONSTANT EXTERNAL PIN FOR
 THE SELECTION OF TRACKING HIGH BAND GAIN.
 TZC ; INPUT PIN OF TRACKING ZERO-CROSS COMPARATOR.
 VC ; CENTER VOLTAGE INPUT PIN
 FOR DUAL POWER:GND
 FOR SINGLE POWER SUPPLY: (V_{CC} +GND) /2
 XLT ; LATCH INPUT FROM CPU.
 XRST ; RESET INPUT PIN. RESET AT "L"

OUTPUT

CC2 ; INPUT PIN FOR THE CAPACITANCE COUPLED OUTPUT OF
 DEFECT BOTTOM HOLD.
 C. OUT ; TRACK NUMBER COUNT SIGNAL OUTPUT.
 DFCT ; OUTPUT PIN OF DEFECT COMPARATOR.
 EFM ; OUTPUT PIN OF EFM COMPARATOR.
 FEO ; FOCUS DRIVE OUTPUT.
 FOK ; OUTPUT PIN OF FOK COMPARATOR.
 MIRR ; MIRR COMPARATOR OUTPUT PIN.
 RFO ; OUTPUT PIN OF RF SUMMING AMPLIFIER AND
 CHECK POINT OF EYE PATTERN.
 SENS ; OUTPUTS FZC, AS, TZC AND SSTOP THROUGH COMMAND FROM CPU.
 SLO ; SLED DRIVE OUTPUT.
 TAO ; TRACKING DRIVE OUTPUT.
 ATSC ; WINDOW COMPARATOR INPUT PIN FOR ATSC DETECTION.