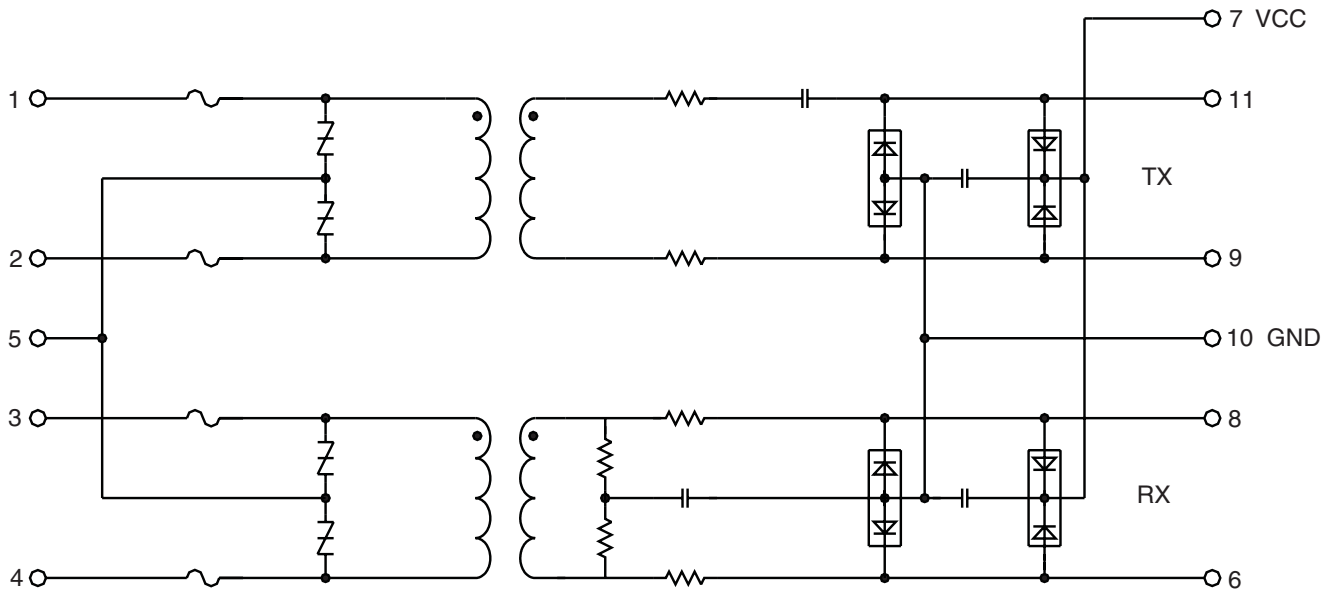


“Slim Line” Hybrid for Dallas E1
APC82235

FEATURES

- Supports Dallas chipset for E1 applications DS2155/Q55 LIU 3.3V IC 120 Ω impedance
- Minimum board space requirement - ideal for multiple interface line cards
- Longitudinal protection circuit designed to meet FCC part 68 as well as Telcordia GR1089 for 1st level and 2nd level lightning and 1st level power line cross events
- Approval for safety standards to IEC60950, BS EN60950 supplementary isolation 1500V, working voltage 250V
- “Slim Line” E1 hybrids have been designed to minimize the board space requirements for line interface circuitry on the E1 multichannel line cards

SCHEMATIC

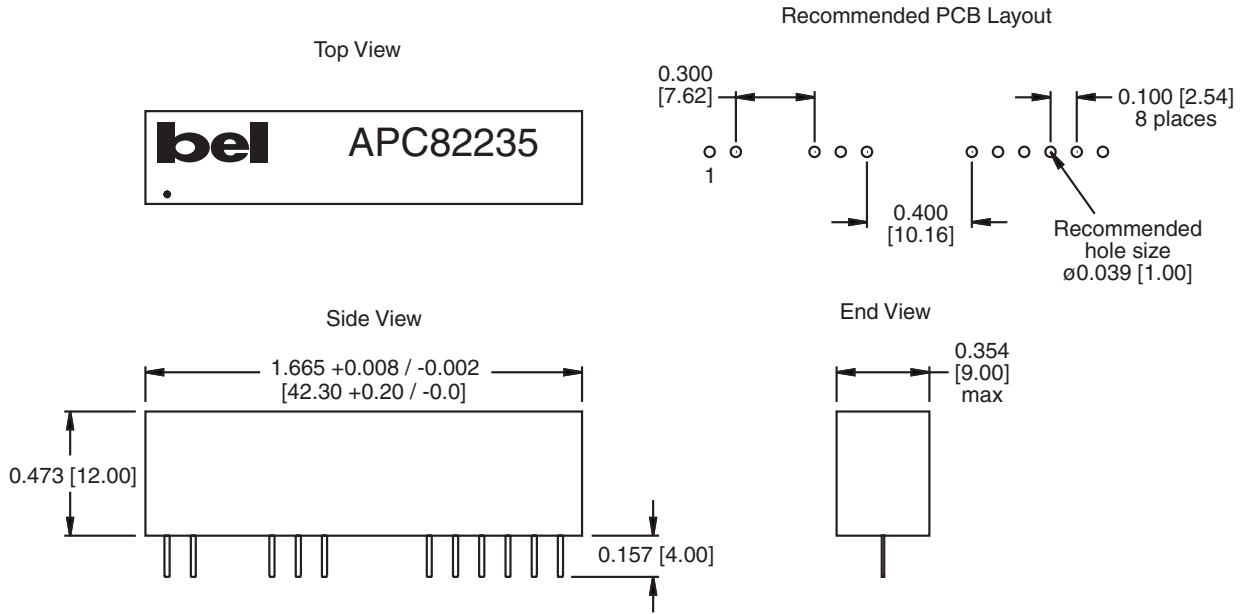


NOTES: TYPICAL SCHEMATIC (SELV COMPONENTS WILL VARY SUBJECT TO APPLICATION)



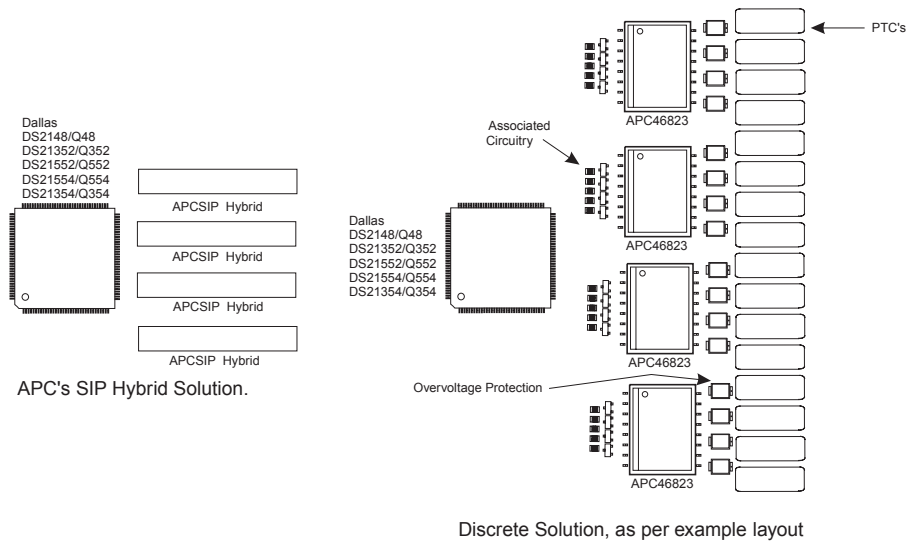
**“Slim Line” Hybrid for Dallas E1
APC82235**

MECHANICAL



NOTE: ALL DIMENSIONS IN MM

HYBRID V DISCRETE SOLUTIONS



©2003 Bel Fuse Inc. Specifications subject to change without notice. 09.23.03

CORPORATE

Bel Fuse Inc.
 206 Van Vorst Street
 Jersey City, NJ 07302
 Tel 201-432-0463
 Fax 201-432-9542
 www.belfuse.com

FAR EAST

Bel Fuse Ltd.
 8F / 8 Luk Hop Street
 San Po Kong
 Kowloon, Hong Kong
 Tel 852-2328-5515
 Fax 852-2352-3706
 www.belfuse.com

EUROPE

Bel Stewart Connector
 45/46 Riverside
 Medway City Estate
 Rochester, Kent ME2 4DP U.K.
 Tel 44-1634-722890
 Fax 44-1634-716677
 www.belfuse.com