

FEATURES
Low Cost
33 × 17, Fully Differential, Nonblocking Array
>1.5 Gbps per Port NRZ Data Rate
Wide Power Supply Range: +5 V, +3.3 V, -3.3 V, -5 V
Low Power
400 mA (Outputs Enabled)
30 mA (Outputs Disabled)
PECL and ECL Compatible
CMOS/TTL-Level Control Inputs: 3 V to 5 V
Low Jitter: <50 ps p-p
No Heat Sinks Required
Drives a Backplane Directly
Programmable Output Current
Optimize Termination Impedance
User-Controlled Voltage at the Load
Minimize Power Dissipation
Individual Output Disable for Busing and Building
Larger Arrays
Double Row Latch
Buffered Inputs
Available in 184-Lead LQFP
APPLICATIONS
HD and SD Digital Video
Fiber Optic Network Switching
PRODUCT DESCRIPTION

AD8150 is a member of the Xstream line of products and is a breakthrough in digital switching, offering a large switch array (33 × 17) on very little power, typically less than 1.5 W. Additionally, it operates at data rates in excess of 1.5 Gbps per port, making it suitable for HDTV applications. Further, the pricing of the AD8150 makes it affordable enough to be used for SD applications as well. The AD8150 is also useful for OC-24 optical network switching.

The AD8150's flexible supply voltages allow the user to operate with either PECL or ECL data levels and will operate down to 3.3 V for further power reduction. The control interface is CMOS/TTL compatible (3 V to 5 V).

Its fully differential signal path reduces jitter and crosstalk while allowing the use of smaller single-ended voltage swings.

The AD8150 is offered in a 184-lead LQFP package that operates over the industrial temperature range of 0°C to 85°C.

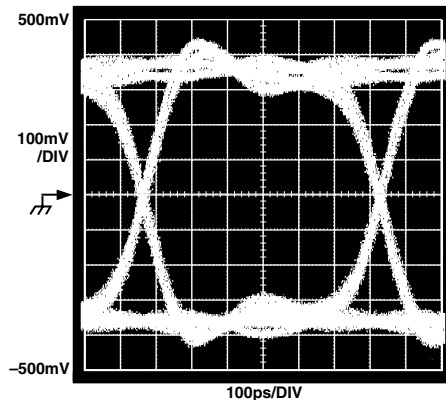
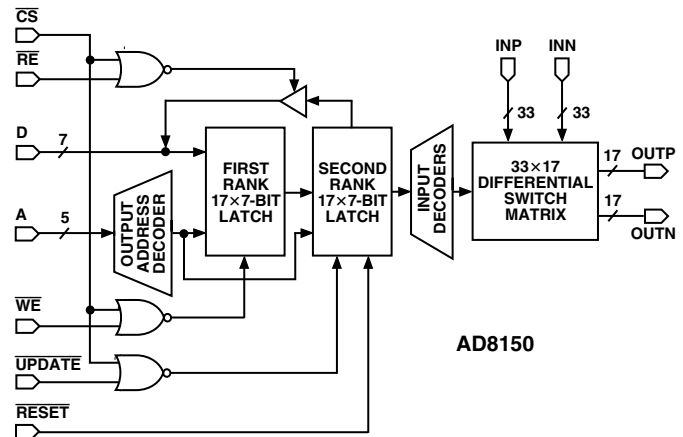
FUNCTIONAL BLOCK DIAGRAM


Figure 1. Output Eye Pattern, 1.5 Gbps

*Patent Pending.

Xstream is a trademark of Analog Devices, Inc.

REV. 0

Information furnished by Analog Devices is believed to be accurate and reliable. However, no responsibility is assumed by Analog Devices for its use, nor for any infringements of patents or other rights of third parties which may result from its use. No license is granted by implication or otherwise under any patent or patent rights of Analog Devices.

AD8150—SPECIFICATIONS (@ 25°C, V_{CC} = 3.3 V to 5 V, V_{EE} = 0 V, R_L = 50 Ω (see Figure 22), I_{OUT} = 16 mA, unless otherwise noted)

Parameter	Conditions	Min	Typ	Max	Unit
DYNAMIC PERFORMANCE					
Max Data Rate/Channel (NRZ)		1.5			Gbps
Channel Jitter	Data Rate < 1.5 Gbps		50		ps p-p
RMS Channel Jitter	V _{CC} = 5 V		10		ps
Propagation Delay	Input to Output		650		ps
Propagation Delay Match			50	100	ps
Output Rise/Fall Time	20% to 80%		100		ps
INPUT CHARACTERISTICS					
Input Voltage Swing	Differential	200		1000	mV p-p
Input Voltage Range	Common-Mode	V _{CC} - 2		V _{CC}	V
Input Bias Current			2		μA
Input Capacitance			2		pF
Input V _{IN} High		V _{CC} - 1.2		V _{CC} - 0.2	V
Input V _{IN} Low		V _{CC} - 2.4		V _{CC} - 1.4	V
OUTPUT CHARACTERISTICS					
Output Voltage Swing	Differential (See Figure 22)		800		mV p-p
Output Voltage Range		V _{CC} - 1.8		V _{CC}	V
Output Current		5		25	mA
Output Capacitance			2		pF
POWER SUPPLY					
Operating Range					
PECL, V _{CC}	V _{EE} = 0 V	3.3		5	V
ECL, V _{EE}	V _{CC} = 0 V	-5		-3.3	V
V _{DD}		3		5	V
V _{SS}			0		V
Quiescent Current			2		mA
V _{DD}	All Outputs Enabled, I _{OUT} = 16 mA		400		mA
V _{EE}	T _{MIN} to T _{MAX}			450	mA
	All Outputs Disabled		30		mA
THERMAL CHARACTERISTICS					
Operating Temperature Range		0		85	°C
θ _{JA}			30		°C/W
LOGIC INPUT CHARACTERISTICS					
Input V _{IN} High	V _{DD} = 3 V dc to 5 V dc	1.9		V _{DD}	V
Input V _{IN} Low		0		0.9	V

ABSOLUTE MAXIMUM RATINGS¹

Supply Voltage $V_{DD} - V_{EE}$	10.5 V
Internal Power Dissipation ²	
AD8150 184-Lead Plastic LQFP (ST)	4.2 W
Differential Input Voltage	$V_{CC} - V_{EE}$
Output Short Circuit Duration	Observe Power Derating Curves
Storage Temperature Range	-65°C to +125°C
Lead Temperature Range (Soldering 10 sec)	300°C

NOTES

¹Stresses above those listed under Absolute Maximum Ratings may cause permanent damage to the device. This is a stress rating only; functional operation of the device at these or any other conditions above those indicated in the operational section of this specification is not implied. Exposure to absolute maximum rating conditions for extended periods may affect device reliability.

²Specification is for device in free air ($T_A = 25^\circ\text{C}$):

184-lead plastic LQFP (ST): $\theta_{JA} = 30^\circ\text{C/W}$.

MAXIMUM POWER DISSIPATION

The maximum power that can be safely dissipated by the AD8150 is limited by the associated rise in junction temperature. The maximum safe junction temperature for plastic encapsulated devices is determined by the glass transition temperature of the plastic, approximately 150°C. Temporarily exceeding this limit may cause a shift in parametric performance due to a change in the stresses exerted on the die by the package. Exceeding a junction temperature of 175°C for an extended period can result in device failure.

While the AD8150 is internally short circuit protected, this may not be sufficient to guarantee that the maximum junction temperature (150°C) is not exceeded under all conditions. To ensure proper operation, it is necessary to observe the maximum power derating curves shown in Figure 2.

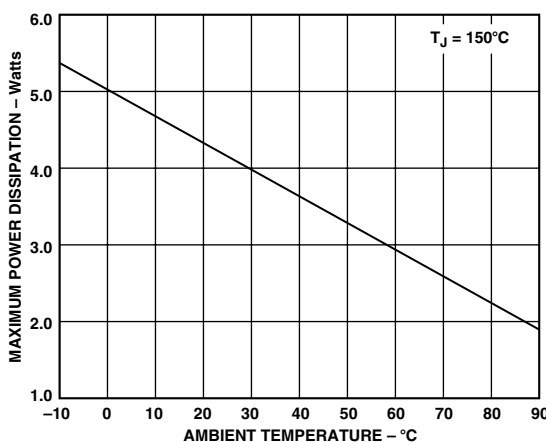


Figure 2. Maximum Power Dissipation vs. Temperature

ORDERING GUIDE

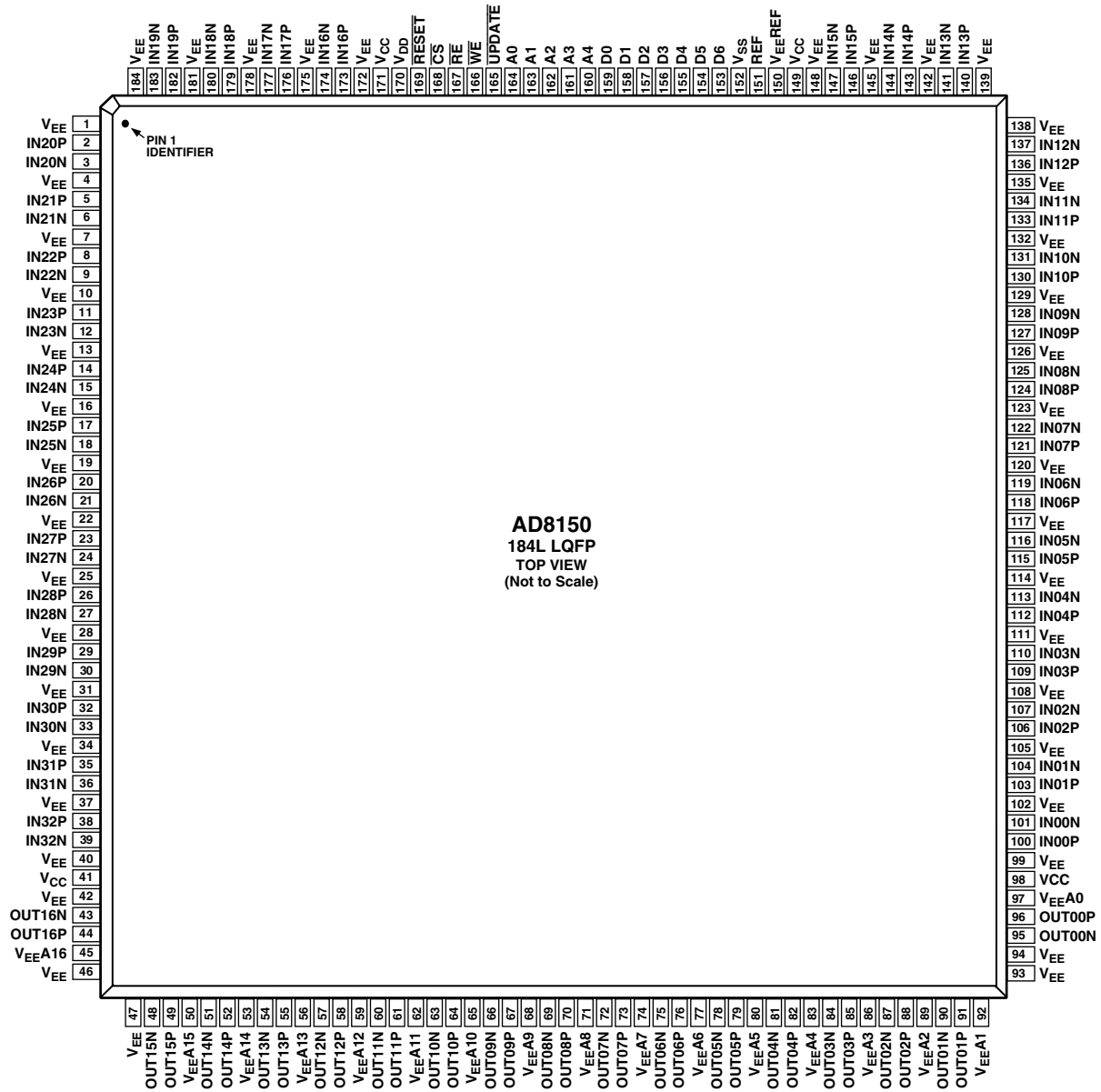
Model	Temperature Range	Package Description	Package Option
AD8150AST	0°C to 85°C	184-Lead Plastic LQFP (20 mm × 20 mm)	ST-184
AD8150-EVAL		Evaluation Board	

CAUTION

ESD (electrostatic discharge) sensitive device. Electrostatic charges as high as 4000 V readily accumulate on the human body and test equipment and can discharge without detection. Although the AD8150 features proprietary ESD protection circuitry, permanent damage may occur on devices subjected to high energy electrostatic discharges. Therefore, proper ESD precautions are recommended to avoid performance degradation or loss of functionality.



PIN CONFIGURATION



PIN FUNCTION DESCRIPTIONS

Pin No.	Signal	Type	Description
1, 4, 7, 10, 13, 16, 19, 22, 25, 28, 31, 34, 37, 40, 42, 46, 47, 92, 93, 99, 102, 105, 108, 111, 114, 117, 120, 123, 126, 129, 132, 135, 138, 139, 142, 145, 148, 172, 175, 178, 181, 184	V _{EE}	Power Supply	Most Negative PECL Supply (Common with Other Points Labeled V _{EE})
2	IN20P	PECL	High-Speed Input
3	IN20N	PECL	High-Speed Input Complement
5	IN21P	PECL	High-Speed Input
6	IN21N	PECL	High-Speed Input Complement
8	IN22P	PECL	High-Speed Input
9	IN22N	PECL	High-Speed Input Complement
11	IN23P	PECL	High-Speed Input
12	IN23N	PECL	High-Speed Input Complement
14	IN24P	PECL	High-Speed Input
15	IN24N	PECL	High-Speed Input Complement
17	IN25P	PECL	High-Speed Input
18	IN25N	PECL	High-Speed Input Complement
20	IN26P	PECL	High-Speed Input
21	IN26N	PECL	High-Speed Input Complement
23	IN27P	PECL	High-Speed Input
24	IN27N	PECL	High-Speed Input Complement
26	IN28P	PECL	High-Speed Input
27	IN28N	PECL	High-Speed Input Complement
29	IN29P	PECL	High-Speed Input
30	IN29N	PECL	High-Speed Input Complement
32	IN30P	PECL	High-Speed Input
33	IN30N	PECL	High-Speed Input Complement
35	IN31P	PECL	High-Speed Input
36	IN31N	PECL	High-Speed Input Complement
38	IN32P	PECL	High-Speed Input
39	IN32N	PECL	High-Speed Input Complement
41, 98, 149, 171	V _{CC}	Power Supply	Most Positive PECL Supply (Common with Other Points Labeled V _{CC})
43	OUT16N	PECL	High-Speed Output Complement
44	OUT16P	PECL	High-Speed Output
45	V _{EE} A16	Power Supply	Most Negative PECL Supply (Unique to This Output)
48	OUT15N	PECL	High-Speed Output Complement
49	OUT15P	PECL	High-Speed Output
50	V _{EE} A15	Power Supply	Most Negative PECL Supply (Unique to this Output)
51	OUT14N	PECL	High-Speed Output Complement
52	OUT14P	PECL	High-Speed Output
53	V _{EE} A14	Power Supply	Most Negative PECL Supply (Unique to this Output)
54	OUT13N	PECL	High-Speed Output Complement
55	OUT13P	PECL	High-Speed Output
56	V _{EE} A13	Power Supply	Most Negative PECL Supply (Unique to this Output)
57	OUT12N	PECL	High-Speed Output Complement
58	OUT12P	PECL	High-Speed Output
59	V _{EE} A12	Power Supply	Most Negative PECL Supply (Unique to this Output)
60	OUT11N	PECL	High-Speed Output Complement
61	OUT11P	PECL	High-Speed Output

AD8150

Pin No.	Signal	Type	Description
62	V _{EE} A11	Power Supply	Most Negative PECL Supply (Unique to this Output)
63	OUT10N	PECL	High-Speed Output Complement
64	OUT10P	PECL	High-Speed Output
65	V _{EE} A10	Power Supply	Most Negative PECL Supply (Unique to this Output)
66	OUT09N	PECL	High-Speed Output Complement
67	OUT09P	PECL	High-Speed Output
68	V _{EE} A9	Power Supply	Most Negative PECL Supply (Unique to this Output)
69	OUT08N	PECL	High-Speed Output Complement
70	OUT08P	PECL	High-Speed Output
71	V _{EE} A8	Power Supply	Most Negative PECL Supply (Unique to this Output)
72	OUT07N	PECL	High-Speed Output Complement
73	OUT07P	PECL	High-Speed Output
74	V _{EE} A7	Power Supply	Most Negative PECL Supply (Unique to this Output)
75	OUT06N	PECL	High-Speed Output Complement
76	OUT06P	PECL	High-Speed Output
77	V _{EE} A6	Power Supply	Most Negative PECL Supply (Unique to this Output)
78	OUT05N	PECL	High-Speed Output Complement
79	OUT05P	PECL	High-Speed Output
80	V _{EE} A5	Power Supply	Most Negative PECL Supply (Unique to this Output)
81	OUT04N	PECL	High-Speed Output Complement
82	OUT04P	PECL	High-Speed Output
83	V _{EE} A4	Power Supply	Most Negative PECL Supply (Unique to this Output)
84	OUT03N	PECL	High-Speed Output Complement
85	OUT03P	PECL	High-Speed Output
86	V _{EE} A3	Power Supply	Most Negative PECL Supply (Unique to this Output)
87	OUT02N	PECL	High-Speed Output Complement
88	OUT02P	PECL	High-Speed Output
89	V _{EE} A2	Power Supply	Most Negative PECL Supply (Unique to this Output)
90	OUT01N	PECL	High-Speed Output Complement
91	OUT01P	PECL	High-Speed Output
94	V _{EE} A1	Power Supply	Most Negative PECL Supply (Unique to this Output)
95	OUT00N	PECL	High-Speed Output Complement
96	OUT00P	PECL	High-Speed Output
97	V _{EE} A0	Power Supply	Most Negative PECL Supply (Unique to this Output)
100	IN00P	PECL	High-Speed Input
101	IN00N	PECL	High-Speed Input Complement
103	IN01P	PECL	High-Speed Input
104	IN01N	PECL	High-Speed Input Complement
106	IN02P	PECL	High-Speed Input
107	IN02N	PECL	High-Speed Input Complement
109	IN03P	PECL	High-Speed Input
110	IN03N	PECL	High-Speed Input Complement
112	IN04P	PECL	High-Speed Input
113	IN04N	PECL	High-Speed Input Complement
115	IN05P	PECL	High-Speed Input
116	IN05N	PECL	High-Speed Input Complement
118	IN06P	PECL	High-Speed Input
119	IN06N	PECL	High-Speed Input Complement
121	IN07P	PECL	High-Speed Input
122	IN07N	PECL	High-Speed Input Complement

Pin No.	Signal	Type	Description
124	IN08P	PECL	High-Speed Input
125	IN08N	PECL	High-Speed Input Complement
127	IN09P	PECL	High-Speed Input
128	IN09N	PECL	High-Speed Input Complement
130	IN10P	PECL	High-Speed Input
131	IN10N	PECL	High-Speed Input Complement
133	IN11P	PECL	High-Speed Input
134	IN11N	PECL	High-Speed Input Complement
136	IN12P	PECL	High-Speed Input
137	IN12N	PECL	High-Speed Input Complement
140	IN13P	PECL	High-Speed Input
141	IN13N	PECL	High-Speed Input Complement
143	IN14P	PECL	High-Speed Input
144	IN14N	PECL	High-Speed Input Complement
146	IN15P	PECL	High-Speed Input
147	IN15N	PECL	High-Speed Input Complement
150	V _{EE} REF	R-Program	Connection Point for Output Logic Pull-Down Programming Resistor (Must be Connected to V _{EE})
151	REF	R-Program	Connection Point for Output Logic Pull-Down Programming Resistor
152	V _{SS}	Power Supply	Most Negative Control Logic Supply
153	D6	TTL	Enable/Disable Output
154	D5	TTL	(32) MSB Input Select
155	D4	TTL	(16)
156	D3	TTL	(8)
157	D2	TTL	(4)
158	D1	TTL	(2)
159	D0	TTL	(1) LSB Input Select
160	A4	TTL	(16) MSB Output Select
161	A3	TTL	(8)
162	A2	TTL	(4)
163	A1	TTL	(2)
164	A0	TTL	(1) LSB Output Select
165	$\overline{\text{UPDATE}}$	TTL	Second Rank Program
166	$\overline{\text{WE}}$	TTL	First Rank Program
167	$\overline{\text{RE}}$	TTL	Enable Readback
168	$\overline{\text{CS}}$	TTL	Enable Chip to Accept Programming
169	$\overline{\text{RESET}}$	TTL	Disable All Outputs (Hi-Z)
170	V _{DD}	Power Supply	Most Positive Control Logic Supply
173	IN16P	PECL	High-Speed Input
174	IN16N	PECL	High-Speed Input Complement
176	IN17P	PECL	High-Speed Input
177	IN17N	PECL	High-Speed Input Complement
179	IN18P	PECL	High-Speed Input
180	IN18N	PECL	High-Speed Input Complement
182	IN19P	PECL	High-Speed Input
183	IN19N	PECL	High-Speed Input Complement

AD8150—Typical Performance Characteristics

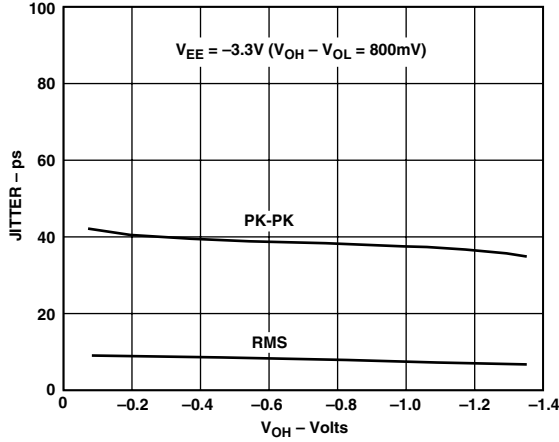


Figure 3. Jitter vs. V_{OH} 1.5 Gbps, PRBS 23

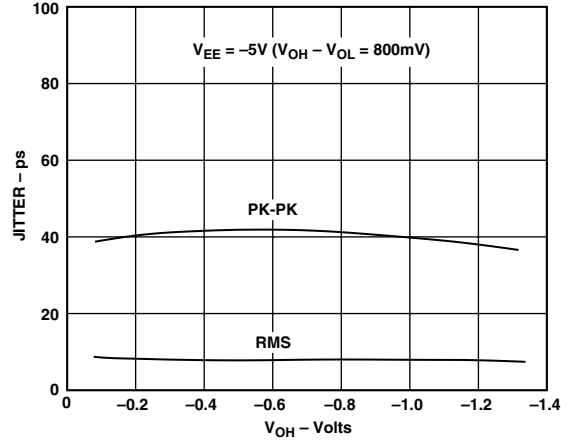


Figure 6. Jitter vs. V_{OH} 1.5 Gbps, PRBS 23

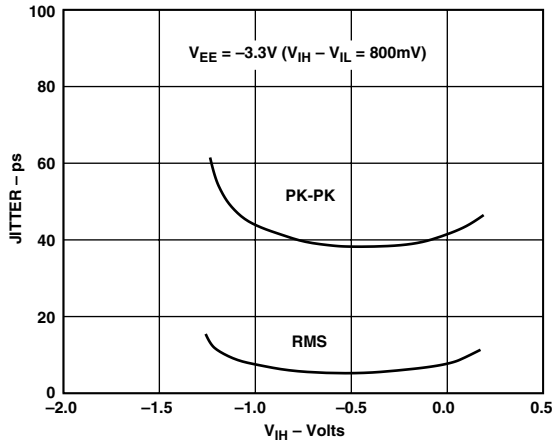


Figure 4. Jitter vs. V_{IH} 1.5 Gbps, PRBS 23

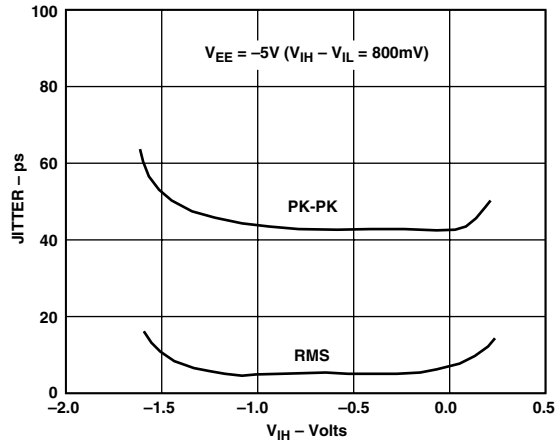


Figure 7. Jitter vs. V_{IH} 1.5 Gbps, PRBS 23

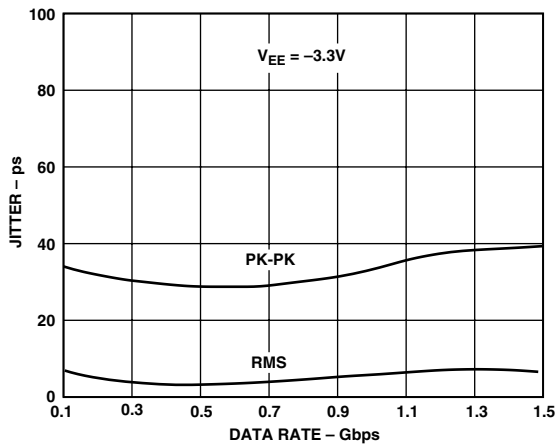


Figure 5. Jitter vs. Data Rate, PRBS 23

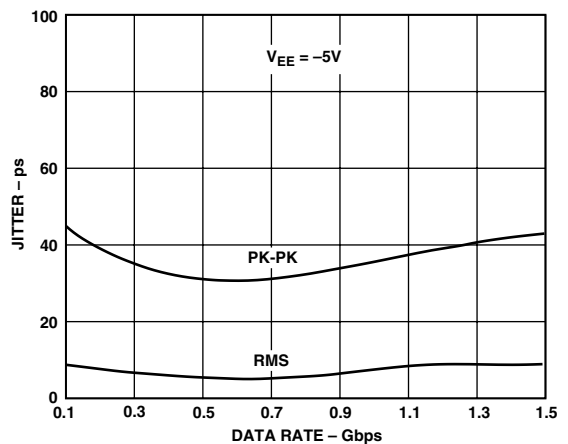


Figure 8. Jitter vs. Data Rate, PRBS 23

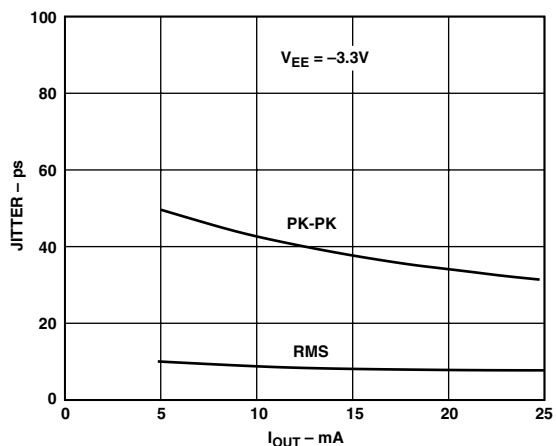


Figure 9. Jitter vs. I_{OUT} 1.5 Gbps, PRBS 23

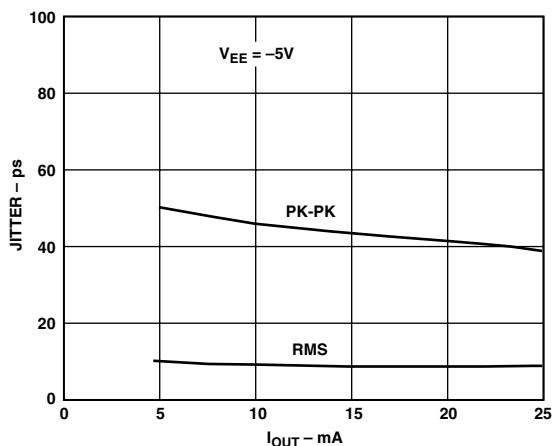


Figure 12. Jitter vs. I_{OUT} 1.5 Gbps, PRBS 23

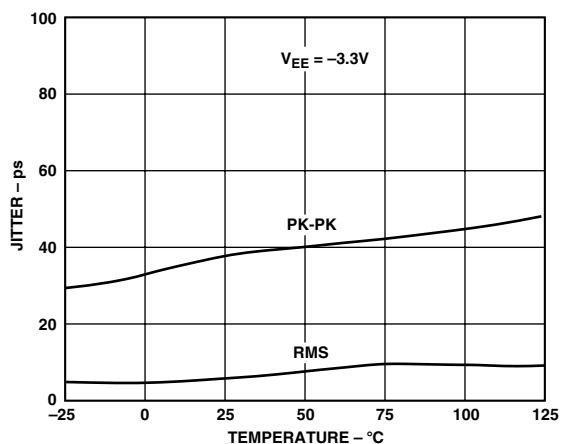


Figure 10. Jitter vs. Temperature 1.5 Gbps, PRBS 23

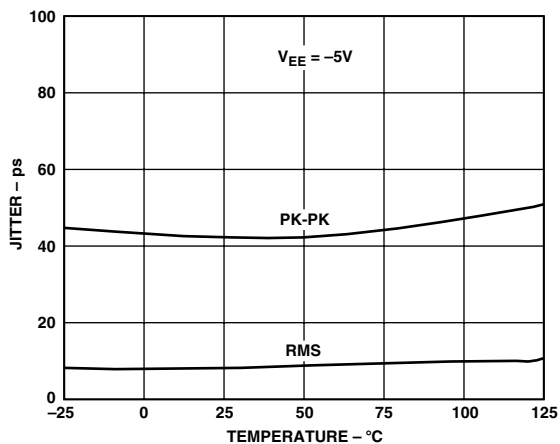


Figure 13. Jitter vs. Temperature 1.5 Gbps, PRBS 23

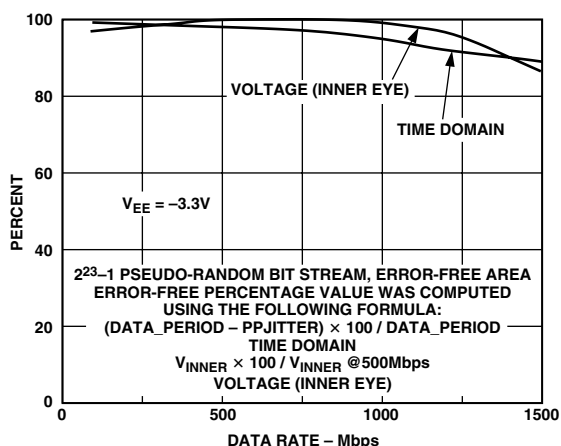


Figure 11. AC Performance

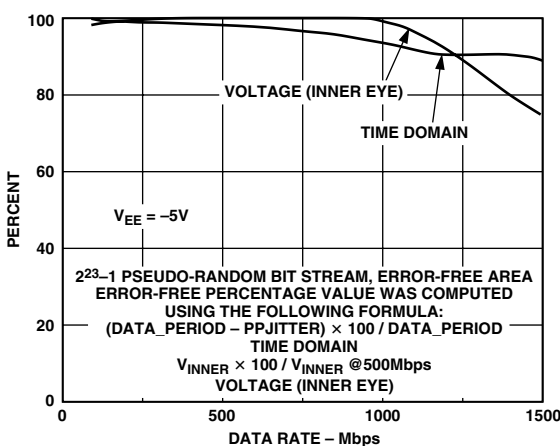


Figure 14. AC Performance

AD8150

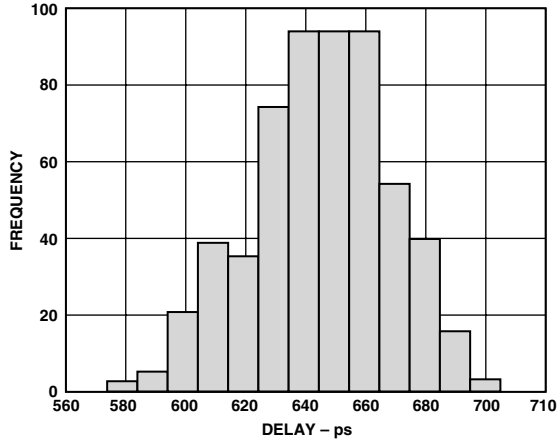


Figure 15. Variation in Channel-to-Channel Delay, All 561 Points

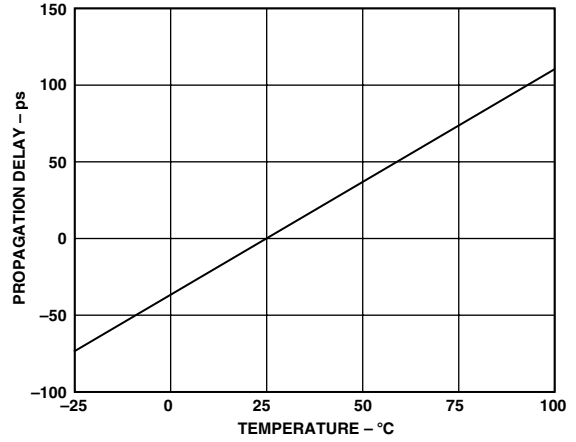


Figure 18. Propagation Delay, Normalized at 25°C vs. Temperature

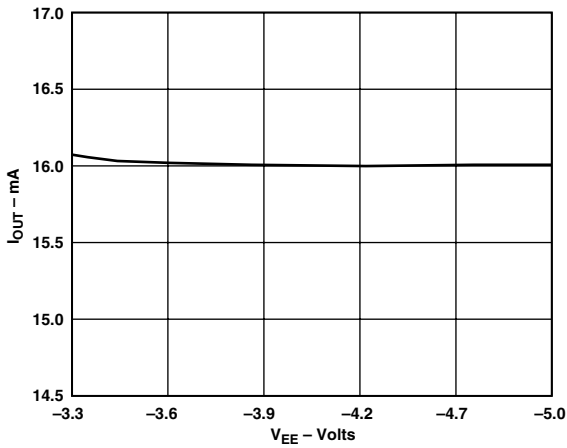


Figure 16. I_{OUT} vs. Supply, V_{EE}

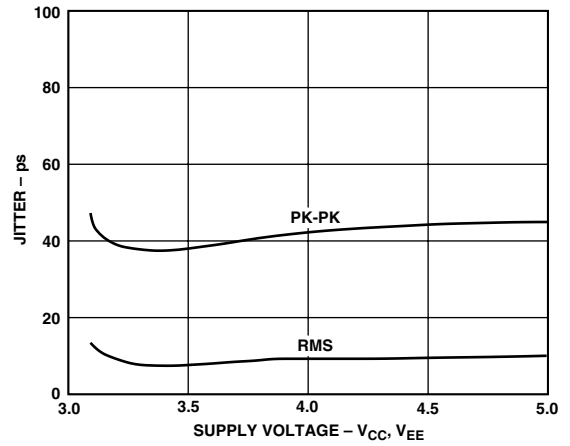


Figure 19. Jitter vs. Supply, 1.5 Gbps, PRBS 23

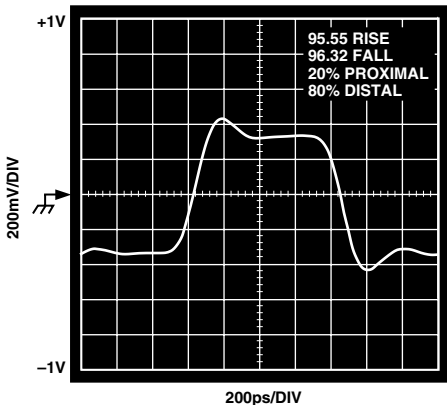


Figure 17. Rise/Fall Times, $V_{EE} = -3.3$ V

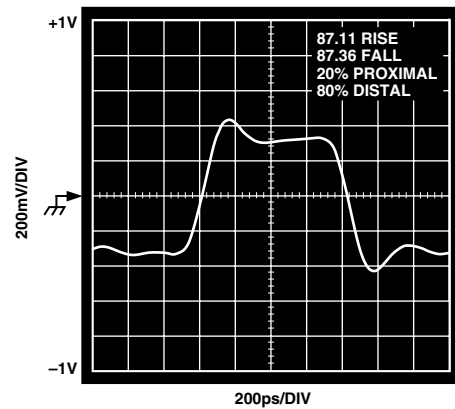


Figure 20. Rise/Fall Times, $V_{EE} = -5$ V

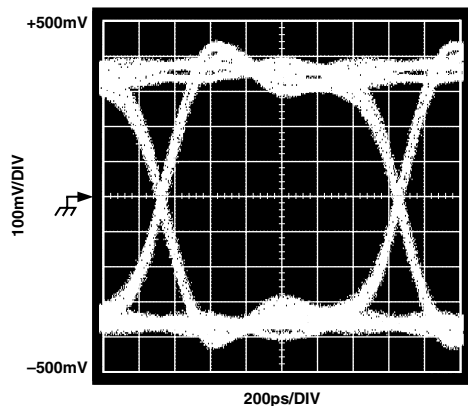


Figure 21. Eye Pattern, $V_{EE} = -3.3\text{ V}$, 1.5 Gbps PRBS 23

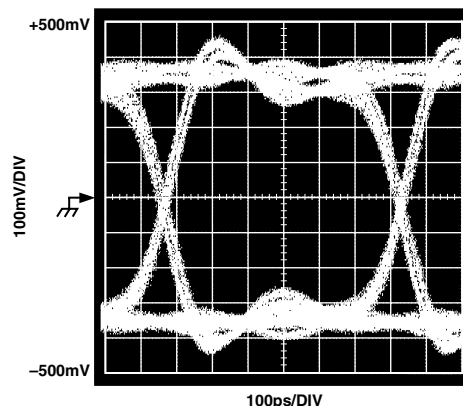
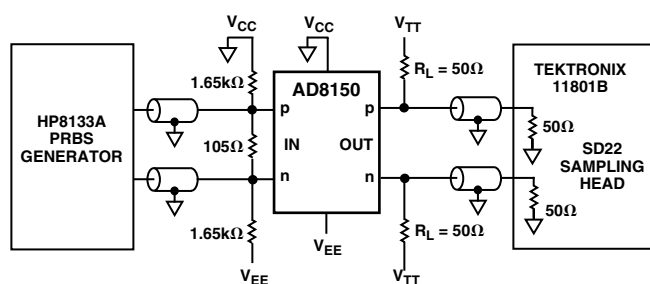


Figure 23. Eye Pattern, $V_{EE} = -5\text{ V}$, 1.5 Gbps PRBS 23



$V_{CC} = 0\text{V}$, $V_{EE} = -3.3\text{V OR } -5\text{V}$, $V_{TT} = -1.6\text{V}$

$R_{SET} = 1.54\text{k}\Omega$, $I_{OUT} = 16\text{mA}$, $V_{OH} = -0.8\text{V}$, $V_{OL} = -1.8\text{V}$

INTRINSIC JITTER OF HP8133A AND TEKTRONIX 11801B = 3ps RMS, 17ps PK-PK

Figure 22. Eye Pattern Test Circuit

AD8150

Control Interface Truth Tables

The following are truth tables for the control interface.

Table I. Basic Control Functions

Reset	Control Pins				Update	Function
	$\overline{\text{CS}}$	$\overline{\text{WE}}$	$\overline{\text{RE}}$			
0	X	X	X	X	X	Global Reset. Reset all second rank enable bits to zero (disable all outputs).
1	1	X	X	X	X	Control Disable. Ignore all logic (but the signal matrix still functions as programmed). D[6:0] are high-impedance.
1	0	0	X	X	X	Single Output Preprogram. Write input configuration data from data bus D[6:0] into first rank of latches for the output selected by the output address bus A[4:0].
1	0	X	0	X	X	Single Output Readback. Readback input configuration data from second rank of latches onto data bus D[6:0] for the single output selected by the output address bus A[4:0].
1	0	X	X	0	0	Global Update. Copy input configuration data from all 17 first rank latches into second rank of latches, updating signal matrix connections for all outputs.
1	0	0	1	0	0	Transparent Write and Update. It is possible to write data directly onto rank two. This simplifies logic when synchronous signal matrix updating is not necessary.

Table II. Address/Data Examples

Output Address Pins MSB-LSB					Enable Bit	Input Address Pins MSB-LSB							Function	
A4	A3	A2	A1	A0		D6/E	D5	D4	D3	D2	D1	D0		
0	0	0	0	0	X	0	0	0	0	0	0	0	Lower Address/Data Range. Connect Output #00 (A[4:0] = 00000) to Input #00 (D[5:0] = 000000).	
1	0	0	0	0	X	1	0	0	0	0	0	0	Upper Address/Data Range. Connect Output #16 (A[4:0] = 10000) to Input #32 (D[5:0] = 100000).	
<Binary Output Number*>					1	<Binary Input Number>							Enable Output. Connect Selected Output (A[4:0] = 0 to 16) to Designated Input (D[5:0] = 0 to 32) and Enable Output (D6 = 1).	
<Binary Output Number*>					0	X	X	X	X	X	X	X	X	Disable Output. Disable Specified Output (D6 = 0).
1	0	0	0	1	X	<Binary Input Number>							Broadcast Connection. Connect all 17 outputs to same designated input and set all 17 enable bits to the value of D6. Readback is not possible with the broadcast address.	
1	0	0	1	0	X	1	0	0	0	0	0	1	Reserved. Any address or data code greater or equal to these are reserved for future expansion or factory testing.	

*The binary output number may also be the broadcast connection designator, 10001X.

Control Interface Timing Diagrams

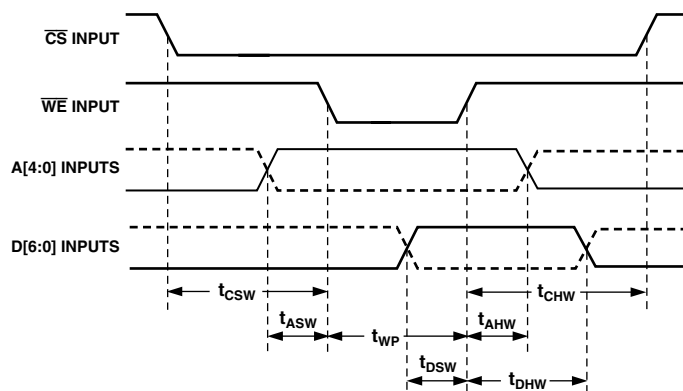


Figure 25. First Rank Write Cycle

Table III. First Rank Write Cycle

Symbol	Parameter		Conditions	Min	Typ	Max	Unit
t_{CSW}	Setup Time	Chip Select to Write Enable	$T_A = 25^\circ\text{C}$	0			ns
t_{ASW}		Address to Write Enable	$V_{DD} = 5\text{ V}$	0			ns
t_{DSW}		Data to Write Enable	$V_{CC} = 5\text{ V}$	15			ns
t_{CHW}	Hold Time	Chip Select from Write Enable		0			ns
t_{AHW}		Address from Write Enable		0			ns
t_{DHW}		Data from Write Enable		0			ns
t_{WP}	Width of Write Enable Pulse			15			ns

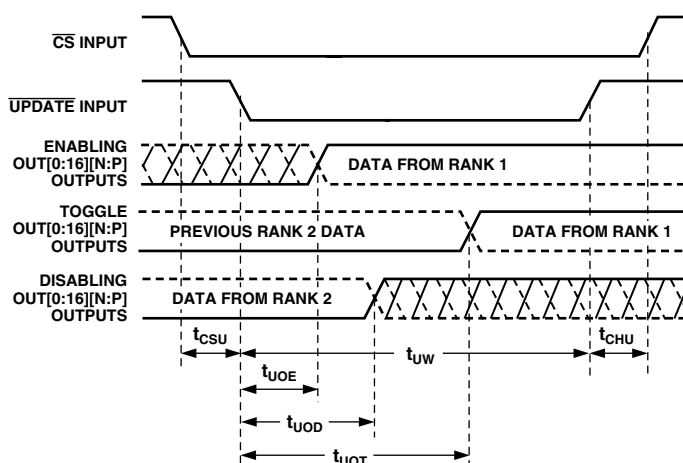


Figure 26. Second Rank Update Cycle

Table IV. Second Rank Update Cycle

Symbol	Parameter		Conditions	Min	Typ	Max	Unit
t_{CSU}	Setup Time	Chip Select to Update	$T_A = 25^\circ\text{C}$	0			ns
t_{CHU}	Hold Time	Chip Select from Update	$V_{DD} = 5\text{ V}$	0			ns
t_{UOE}	Output Enable Times	Update to Output Enable	$V_{CC} = 5\text{ V}$		25	40	ns
t_{UOT}	Output Toggle Times	Update to Output Reprogram			25	40	ns
t_{UOD}	Output Disable Times	Update to Output Disabled			25	30	ns
t_{UW}	Width of Update Pulse			15			ns

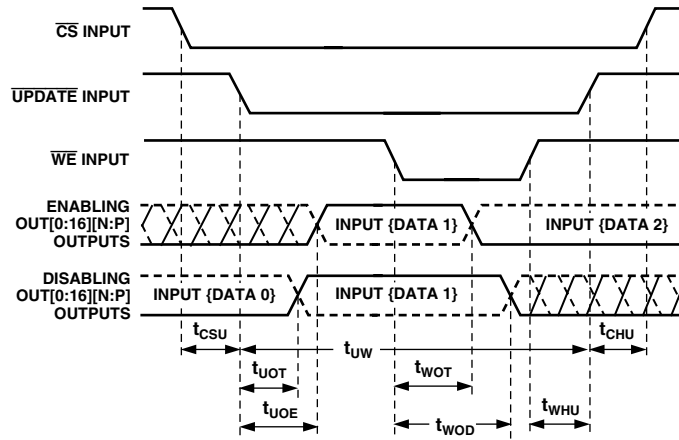


Figure 27. First Rank Write Cycle and Second Rank Update Cycle

Table V. First Rank Write Cycle and Second Rank Update Cycle

Symbol	Parameter		Conditions	Min	Typ	Max	Unit
t_{CSU}	Setup Time	Chip Select to Update	$T_A = 25^\circ\text{C}$	0			ns
t_{CHU}	Hold Time	Chip Select from Update	$V_{DD} = 5\text{ V}$	0			ns
t_{UOE}	Output Enable Times	Update to Output Enable	$V_{CC} = 5\text{ V}$		25	40	ns
t_{WOE}^*		Write Enable to Output Enable			25	40	ns
t_{UOT}	Output Toggle Times	Update to Output Reprogram			25	30	ns
t_{WOT}		Write Enable to Output Reprogram			25	30	ns
t_{UOD}^*	Output Disable Times	Update to Output Disabled			25	30	ns
t_{WOD}		Write Enable to Output Disabled			25	30	ns
t_{WHU}	Setup Time	Write Enable to Update		10			ns
t_{UW}	Width of Update Pulse			15			ns

*Not Shown.

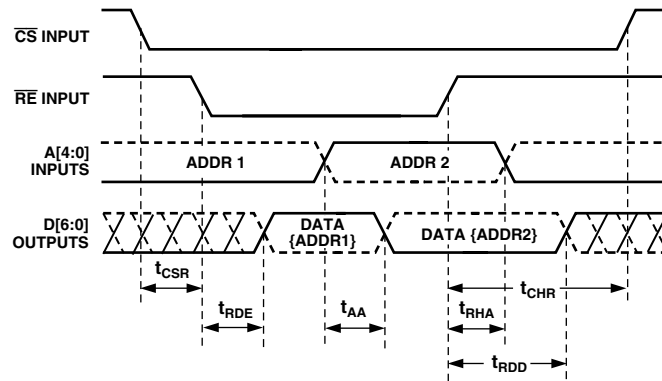


Figure 28. Second Rank Readback Cycle

Table VI. Second Rank Readback Cycle

Symbol	Parameter		Conditions	Min	Typ	Max	Unit
t_{CSR}	Setup Time	Chip Select to Read Enable	$T_A = 25^\circ\text{C}$	0			ns
t_{CHR}	Hold Time	Chip Select from Read Enable	$V_{DD} = 5\text{ V}$	0			ns
t_{RHA}		Address from Read Enable	$V_{CC} = 5\text{ V}$	5			ns
t_{RDE}	Enable Time	Data from Read Enable	10 k Ω		15		ns
t_{AA}	Access Time	Data from Address	20 pF on D[6:0]		15		ns
t_{RDD}	Release Time	Data from Read Enable	Bus		15	30	ns

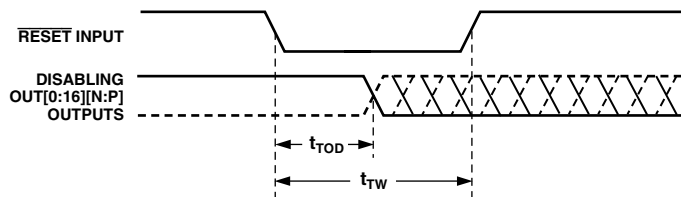


Figure 29. Asynchronous Reset

Table VII. Asynchronous Reset

Symbol	Parameter	Conditions	Min	Typ	Max	Unit
t_{TOD}	Disable Time	$T_A = 25^\circ\text{C}$ $V_{DD} = 5\text{ V}$ $V_{CC} = 5\text{ V}$	15	25	30	ns
t_{TW}	Width of Reset Pulse					ns

Control Interface Programming Example

The following conservative pattern connects all outputs to input number 7, except output 16 which is connected to input number 32. The vector clock period, T_0 is 15 ns. It is possible to accelerate the execution of this pattern by deleting vectors 1, 4, 7, and 9.

Table VIII. Basic Test Pattern

Vector No.	Reset	$\overline{\text{CS}}$	$\overline{\text{WE}}$	$\overline{\text{RE}}$	Update	A[4:0]	D[6:0]	Comments
0	0	1	1	1	1	xxxxx	xxxxxxx	Disable All Outputs
1	1	1	1	1	1	xxxxx	xxxxxxx	
2	1	0	1	1	1	10001	1000111	All Outputs to Input #07
3	1	0	0	1	1	10001	1000111	Write to First Rank
4	1	0	1	1	1	10001	1000111	
5	1	0	1	1	1	10000	1100000	Output #16 to Input #32
6	1	0	0	1	1	10000	1100000	Write to First Rank
7	1	0	1	1	1	10000	1100000	
8	1	0	1	1	0	xxxxx	xxxxxxx	Transfer to Second Rank
9	1	0	1	1	1	xxxxx	xxxxxxx	
10	1	1	1	1	1	xxxxx	xxxxxxx	Disable Interface

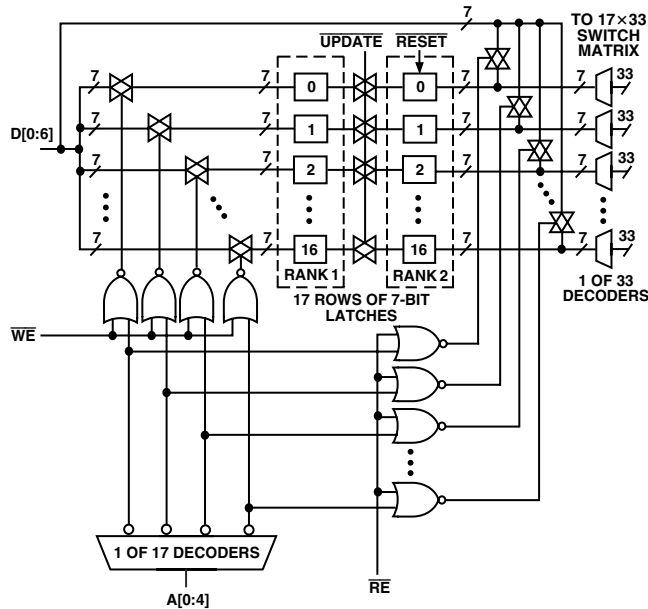


Figure 30. Control Interface (Simplified Schematic)

AD8150 CONTROL INTERFACE

The AD8150 control interface receives and stores the desired connection matrix for the 33 input and 17 output signal pairs. The interface consists of 17 rows of double-rank 7-bit latches, one row for each output. The 7-bit data word stored in each of these latches indicates to which (if any) of the 33 inputs the output will be connected.

One output at a time can be preprogrammed by addressing the output and writing the desired connection data into the first rank of latches. This process can be repeated until each of the desired output changes has been preprogrammed. All output connections can then be programmed at once by passing the data from the first rank of latches into the second rank. The output connections always reflect the data programmed into the second rank of latches, and do not change until the first rank of data is passed into the second rank.

If necessary for system verification, the data in the second rank of latches can be read back from the control interface.

At any time, a reset pulse can be applied to the control interface to globally reset the appropriate second rank data bits, disabling all 17 signal output pairs. This feature can be used to avoid output bus contention on system start-up. The contents of the first rank remain unchanged.

The control interface pins are connected via logic-level translators. These translators allow programming and readback of the control interface using logic levels different from those in the signal matrix.

In order to facilitate multiple chip address decoding, there is a chip-select pin. All logic signals except the reset pulse are ignored unless the chip select pin is active. The chip select pin disables only the control logic interface, and does not change the operation of the signal matrix. The chip select pin does not power down any of the latches, so any data programmed in the latches is preserved.

All control pins are level-sensitive, not edge-triggered.

CONTROL PIN DESCRIPTION

A[4:0] Inputs

Output address pins. The binary encoded address applied to these five input pins determines which one of the seventeen outputs is being programmed (or being read back). The most significant bit is A4.

D[6:0] Inputs/Outputs

Input configuration data pins. In write mode, the binary encoded data applied to pins D[6:0] determine which one of 33 inputs is to be connected to the output specified with the A[4:0] pins. The most significant bit is D5, and the least significant bit is D0. Bit D6 is the enable bit, setting the specified output signal pair to an enabled state if D6 is logic HIGH, or disabled to a high-impedance state if D6 is logic LOW.

In readback mode, pins D[6:0] are low-impedance outputs indicating the data word stored in the second rank for the output specified with the A[4:0] pins. The readback drivers were designed to drive high impedances only, so external drivers connected to the D[6:0] should be disabled during readback mode.

$\overline{\text{WE}}$ Input

First Rank Write Enable. Forcing this pin to logic LOW allows the data on pins D[6:0] to be stored in the first rank latch for the output specified by pins A[4:0]. The $\overline{\text{WE}}$ pin must be returned to a logic HIGH state after a write cycle to avoid overwriting the first rank data.

$\overline{\text{UPDATE}}$ Input

Second Rank Write Enable. Forcing this pin to logic LOW allows the data stored in all 17 first rank latches to be transferred to the second rank latches. The signal connection matrix will be reprogrammed when the second rank data is changed. This is a global pin, transferring all 17 rows of data at once. It is not necessary to program the address pins. It should be noted that after initial power-up of the device, the first rank data is undefined. It may be desirable to preprogram all seventeen outputs before performing the first update cycle.

$\overline{\text{RE}}$ Input

Second Rank Read-Enable. Forcing this pin to logic LOW enables the output drivers on the bidirectional D[6:0] pins, entering the readback mode of operation. By selecting an output address with the A[4:0] pins and forcing $\overline{\text{RE}}$ to logic LOW, the 7-bit data stored in the second rank latch for that output address will be written to D[6:0] pins. Data should not be written to the D[6:0] pins externally while in readback mode. The $\overline{\text{RE}}$ and $\overline{\text{WE}}$ pins are not exclusive, and may be used at the same time, but data should not be written to the D[6:0] pins from external sources while in readback mode.

$\overline{\text{CS}}$ Input

Chip-Select. This pin must be forced to logic LOW in order to program or receive data from the logic interface, with the exception of the $\overline{\text{RESET}}$ pin, described below. This pin has no effect on the signal pairs and does not alter any of the stored control data.

$\overline{\text{RESET}}$ Input

Global Output Disable Pin. Forcing the $\overline{\text{RESET}}$ pin to logic LOW will reset the enable bit, D6, in all 17 second rank latches, regardless of the state of any other pins. This has the effect of immediately disabling the 17 output signal pairs in the

matrix. It is useful to momentarily hold $\overline{\text{RESET}}$ at a logic LOW state when powering up the AD8150 in a system that has multiple output signal pairs connected together. Failure to do this may result in several signal outputs contending after power-up. The reset pin is not gated by the state of the chip-select pin, $\overline{\text{CS}}$. It should be noted that the $\overline{\text{RESET}}$ pin does not program the first rank, which will contain undefined data after power-up.

CONTROL INTERFACE TRANSLATORS

The AD8150 control interface has two supply pins, V_{DD} and V_{SS} . The potential between the positive logic supply V_{DD} and the negative logic supply V_{SS} must be at least 3 V and no more than 5 V. Regardless of supply, the logic threshold is approximately 1.6 V above V_{SS} , allowing the interface to be used with most CMOS and TTL logic drivers.

The signal matrix supplies, V_{CC} and V_{EE} , can be set independent of the voltage on V_{DD} and V_{SS} , with the constraints that $(V_{DD} - V_{EE}) \leq 10$ V. These constraints will allow operation of the control interface on 3 V or 5 V while the signal matrix is operated on 3.3 V or 5 V PECL, or -3.3 V or -5 V ECL.

CIRCUIT DESCRIPTION

The AD8150 is a high-speed 33×17 differential crosspoint switch designed for data rates up to 1.5 Gbps per channel. The AD8150 supports PECL-compatible input and output levels when operated from a 5 V supply ($V_{CC} = 5$ V, $V_{EE} = \text{GND}$) or ECL-compatible levels when operated from a -5 V supply ($V_{CC} = \text{GND}$, $V_{EE} = -5$ V). To save power, the AD8150 can run from a 3.3 V supply to interface with low-voltage PECL circuits or a -3.3 V supply to interface with low-voltage ECL circuits. The AD8150 utilizes differential current mode outputs with individual disable control, which facilitates busing together the outputs of multiple AD8150s to assemble larger switch arrays. This feature also reduces system crosstalk and can greatly reduce power dissipation in a large switch array. A single external resistor programs the current for all enabled output stages, allowing for user control over output levels with different output termination schemes and transmission line characteristic impedances.

High-Speed Data Inputs (INxxP, INxxN)

The AD8150 has 33 pairs of differential voltage-mode inputs. The common-mode input range extends from the positive supply voltage (V_{CC}) down to include standard ECL or PECL input levels ($V_{CC} - 2$ V). The minimum differential input voltage is less than 300 mV. Unused inputs may be connected directly to any level within the allowed common-mode input range. A simplified schematic of the input circuit is shown in Figure 31.

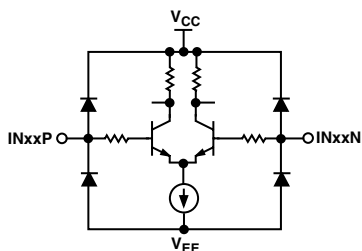


Figure 31. Simplified Input Circuit

In order to maintain signal fidelity at the high data rates supported by the AD8150, the input transmission lines should be terminated as close to the input pins as possible. The preferred input termination structure will depend primarily on the application and the output circuit of the data source. Standard ECL components have open emitter outputs that require pull-down resistors. Three input termination networks suitable for this type of source are shown in Figure 32. The characteristic impedance of the transmission line is shown as Z_0 . The resistors, R1 and R2, in the Thevenin termination are chosen to synthesize a V_{TT} source with an output resistance of Z_0 and an open-circuit output voltage equal to $V_{CC} - 2$ V. The load resistors (R_L) in the differential termination scheme are needed to bias the emitter followers of the ECL source.

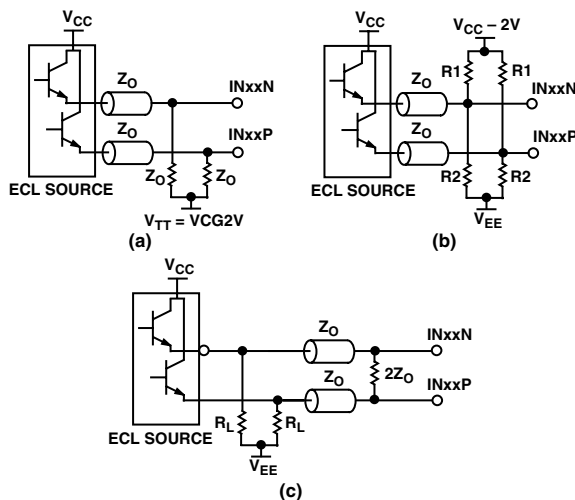


Figure 32. AD8150 Input Termination from ECL/PECL Sources: a) Parallel Termination Using V_{TT} Supply, b) Thevenin Equivalent Termination, c) Differential Termination

If the AD8150 is driven from a current mode output stage such as another AD8150, the input termination should be chosen to accommodate that type of source, as explained in the following section.

High-Speed Data Outputs (OUTyyP, OUTyyN)

The AD8150 has 17 pairs of differential current-mode outputs. The output circuit, shown in Figure 33, is an open-collector NPN current switch with resistor-programmable tail current and output compliance extending from the positive supply voltage (V_{CC}) down to standard ECL or PECL output levels ($V_{CC} - 2$ V). The outputs may be disabled individually to permit outputs from multiple AD8150's to be connected directly. Since the output currents of multiple enabled output stages connected in this way sum, care should be taken to ensure that the output compliance limit is not exceeded at any time; this can be achieved by disabling the active output driver before enabling any inactive driver.

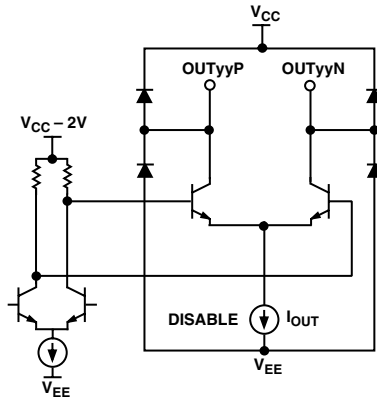


Figure 33. Simplified Output Circuit

To ensure proper operation, all outputs (including unused output) must be pulled high using external pull-up networks to a level within the output compliance range. If outputs from multiple AD8150s are wired together, a single pull-up network may be used for each output bus. The pull-up network should be chosen to keep the output voltage levels within the output compliance range at all times. Recommended pull-up networks to produce PECL/ECL 100K and 10K compatible outputs are shown in Figure 34. Alternatively, a separate supply can be used to provide V_{COM} ; making R_{COM} and D_{COM} unnecessary.

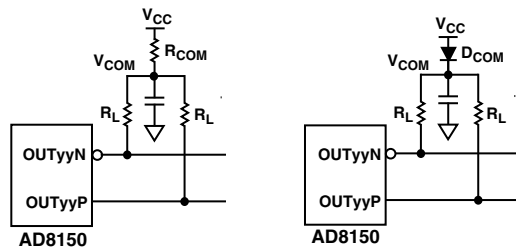


Figure 34. Output Pull-Up Networks: a) ECL 100K, b) ECL 10K

The output levels are simply:

$$V_{OH} = V_{COM}$$

$$V_{OL} = V_{COM} - I_{OUT}R_L$$

$$V_{SWING} = V_{OH} - V_{OL} = I_{OUT}R_L$$

$$V_{COM} = V_{CC} - I_{OUT}R_{COM} \text{ (100K Mode)}$$

$$V_{COM} = V_{CC} - V(D_{COM}) \text{ (10K Mode)}$$

The common-mode adjustment element (R_{COM} or D_{COM}) may be omitted if the input range of the receiver includes the positive supply voltage. The bypass capacitors reduce common-mode perturbations by providing an ac short from the common nodes (V_{COM}) to ground.

When busing together the outputs of multiple AD8150s or when running at high data rates, double termination of its outputs is recommended to mitigate the impact of reflections due to open transmission line stubs and the lumped capacitance of the AD8150 output pins. A possible connection is shown in Figure 35; the bypass capacitors provide an ac short from the common nodes of the termination resistors to ground. To maintain signal fidelity at high data rates, the stubs connecting the output pins to the output transmission lines or load resistors should be as short as possible.

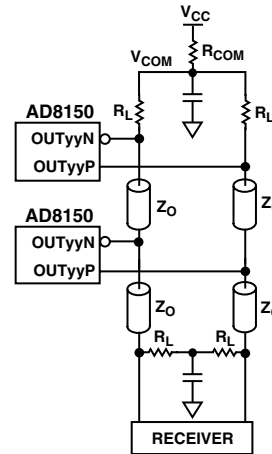


Figure 35. Double Termination of AD8150 Outputs

In this case, the output levels are:

$$V_{OH} = V_{COM} - (1/4) I_{OUT}R_L$$

$$V_{OL} = V_{COM} - (3/4) I_{OUT}R_L$$

$$V_{SWING} = V_{OH} - V_{OL} = (1/2) I_{OUT}R_L$$

Output Current Set Pin (REF)

A simplified schematic of the reference circuit is shown in Figure 36. A single external resistor connected between the REF pin and V_{EE} determines the output current for all output stages. This feature allows a choice of pull-up networks and transmission line characteristic impedances while still achieving a nominal output swing of 800 mV. At low data rates, substantial power savings can be achieved by using lower output swings and higher load resistances.

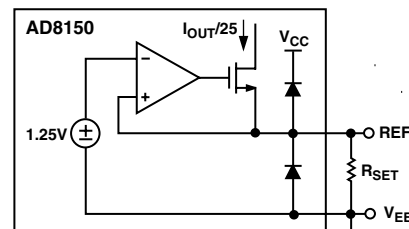


Figure 36. Simplified Reference Circuit

The resistor value current is given by the following expression:

$$R_{SET} = \frac{25}{I_{OUT}}$$

Example:

$$R_{SET} = 1.54 \text{ k}\Omega \text{ for } I_{OUT} = 16.2 \text{ mA}$$

The minimum set resistor is $R_{SET,min} = 1 \text{ k}\Omega$ resulting in $I_{OUT,max} = 25 \text{ mA}$. The maximum set resistor is $R_{SET,max} = 5 \text{ k}\Omega$ resulting in $I_{OUT,min} = 5 \text{ mA}$. Nominal 800 mV output swings can be achieved in a 50Ω load using $R_{SET} = 1.56 \text{ k}\Omega$ ($I_{OUT} = 16.2 \text{ mA}$) or in a doubly-terminated 75Ω load using $R_{SET} = 1.17 \text{ k}\Omega$ ($I_{OUT} = 21.3 \text{ mA}$).

To minimize stray capacitance and avoid the pickup of unwanted signals, the external set resistor should be located close to the REF pin. Bypassing the set resistor is not recommended.

Power Supplies

There are several options for the power supply voltages for the AD8150, as there are two separate sections of the chip that require power supplies. These are the control logic and the high-speed data paths. Depending on the system architecture, the voltage levels of these supplies can vary.

Logic Supplies

The control (programming) logic is CMOS and is designed to interface with any of the various standard single-ended logic families (CMOS or TTL). Its supply voltage pins are V_{DD} (Pin 170, logic positive) and V_{SS} (Pin 152, logic ground). In all cases the logic ground should be connected to the system digital ground. V_{DD} should be supplied at between 3.3 V to 5 V to match the supply voltage of the logic family that is used to drive the logic inputs. V_{DD} should be bypassed to ground with a 0.1 μF ceramic capacitor. The absolute maximum voltage from V_{DD} to V_{SS} is 5.5 V.

Data Path Supplies

The data path supplies have more options for their voltage levels. The choices here will affect several other areas, like power dissipation, bypassing, and common mode levels of the inputs and outputs. The more positive voltage supply for the data paths is V_{CC} (Pins 41, 98, 149 and 171). The more negative supply is V_{EE} , which appears on many pins that will not be listed here. The maximum allowable voltage across these supplies is 5.5 V.

The first choice in the data path power supplies is to decide whether to run the device as ECL (Emitter-Coupled Logic) or PECL (Positive ECL). For ECL operation, V_{CC} will be at ground potential, while V_{EE} will be at a negative supply between -3.3 V to -5 V. This will make the common-mode voltage of the inputs and outputs at a negative voltage, see Figure 37.

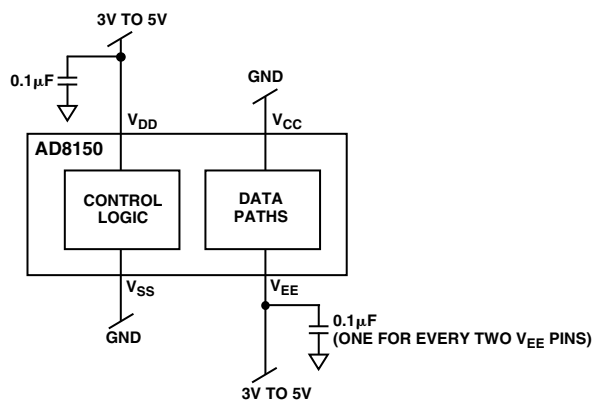


Figure 37. Power Supplies and Bypassing for ECL Operation

If the data paths are to be dc-coupled to other ECL logic devices that run with ground as the most positive supply and a negative voltage for V_{EE} , then this is the proper way to run. However, if

the part is to be ac coupled, it is not necessary to have the input/output common mode at the same level as the other system circuits, but it will probably be more convenient to use the same supply rails for all devices.

For PECL operation, V_{EE} will be at ground potential and V_{CC} will be a positive voltage from 3.3 V to 5 V. Thus, the common mode of the inputs and outputs will be at a positive voltage. These can then be dc coupled to other PECL operated devices. If the data paths are ac coupled, then the common-mode levels do not matter, see Figure 38.

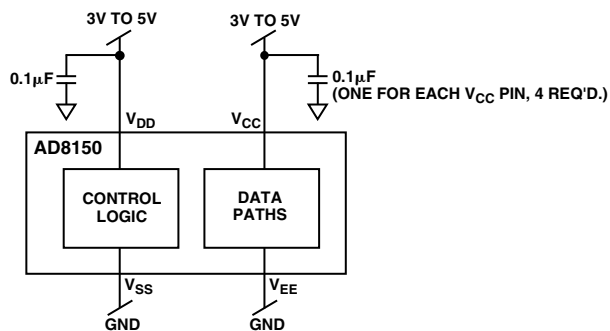


Figure 38. Power Supplies and Bypassing for PECL Operation

POWER DISSIPATION

For analysis, the power dissipation of the AD8150 can be divided into three separate parts. These are the control logic, the data path circuits and the (ECL or PECL) outputs, which are part of the data path circuits, but can be dealt with separately. The first of these, the control logic, is CMOS technology and does not dissipate a significant amount of power. This power will, of course, be greater when the logic supply is 5 V rather than 3 V, but overall it is not a significant amount of power and can be ignored for thermal analysis.

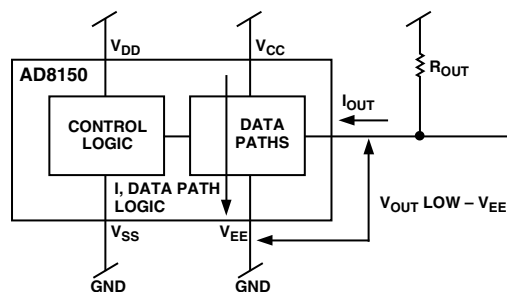


Figure 39. Major Power Consumption Paths

The data path circuits operate between the supplies V_{CC} and V_{EE} . As described in the power supply section, this voltage can range from 3.3 V to 5 V. The current consumed by this section will be constant, so operating at a lower voltage can save about 40 percent in power dissipation.

AD8150

The power dissipated in the data path outputs is affected by several factors. The first is whether the outputs are enabled or disabled. The worst case occurs when all of the outputs are enabled.

The current consumed by the data path logic can be approximated by:

$$I_{CC} = 30 \text{ mA} + [4.5 \text{ mA} + (I_{OUT}/20 \text{ mA} \times 3 \text{ mA})] \\ \times (\# \text{ of outputs enabled})$$

This says that there will always be a minimum of 30 mA flowing. I_{CC} will increase by a factor that is proportional to both the number of enabled outputs and the programmed output current.

The power dissipated in this circuit section will simply be the voltage of this section ($V_{CC} - V_{EE}$) times the current. For a worst case, assume that $V_{CC} - V_{EE}$ is 5.0 V, all outputs are enabled and the programmed output current is 25 mA. The power dissipated by the data path logic will be:

$$P = 5.0 \text{ V} \{25 \text{ mA} + [4.5 \text{ mA} + (25 \text{ mA}/20 \text{ mA} \times 3 \text{ mA})] \\ \times 17\} = 826 \text{ mW}$$

The power dissipated by the output current depends on several factors. These are the programmed output current, the voltage drop from a logic low output to V_{EE} and the number of enabled outputs. A simplifying assumption is that one of each (enabled) differential output pair will be low and draw the full output current (and dissipate most of the power for that output), while the complementary output of the pair will be high and draw insignificant current. Thus, its power dissipation of the high output can be ignored and the output power dissipation for each output can be assumed to occur in a single static low output that sinks the full output-programmed current.

The voltage across which this current flows can also vary, depending on the output circuit design and the supplies that are used for the data path circuitry. In general, however, there will be a voltage difference between a logic low signal and V_{EE} . This is the drop across which the output current flows. For a worst case, this voltage can be as high as 3.5 V. Thus, for all outputs enabled and the programmed output current set to 25 mA, the power dissipated by the outputs:

$$P = 3.5 \text{ V} (25 \text{ mA}) \times 17 = 1.49 \text{ W}$$

HEAT SINKING

Depending on several factors in its operation, the AD8150 can dissipate upwards of 2 W or more. The part is designed to operate without the need for an explicit external heatsink. However, the package design offers enhanced heat removal via some of the package pins to the PC board traces.

The V_{EE} pins on the input sides of the package (Pins 1 to 46 and Pins 93 to 138) have “finger” extensions inside the package that connect to the “paddle” upon which the IC chip is mounted. These pins provide a lower thermal resistance from the IC to the V_{EE} pins than other pins that just have a bond wire. As a result these pins can be used to enhance the heat removal process from the IC to the circuit board and ultimately to the ambient.

The V_{EE} pins described above should be connected to a large area of circuit board trace material in order to take most advantage their lower thermal resistance. If there is a large area available on an inner layer that is at V_{EE} potential, then vias can be provided from the package pin traces to this layer. There should be no thermal-relief pattern when connecting the vias to the inner layers for these V_{EE} pins. Additional vias in parallel and close to

the pin leads can provide an even lower thermal resistive path. If possible to use, 2 oz. copper foil will provide better heat removal than 1 oz.

The AD8150 package has a specified thermal impedance θ_{JA} of 30°C/W. This is the worst case, still-air value that can be expected when the circuit board does not significantly enhance the heat removal from the package. By using the concept described above or by using forced-air circulation, the thermal impedance can be lowered.

For an extreme worst case analysis, the junction rise above the ambient can be calculated assuming 2 W of power dissipation and θ_{JA} of 30°C/W to yield a 60°C rise above the ambient. There are many techniques described above that can mitigate this situation. Most actual circuits will not result in this high a rise of the junction temperature above the ambient.

APPLICATIONS

AD8150 INPUT AND OUTPUT BUSING

Although the AD8150 is a digital part, in any application that runs at high speed, analog design details will have to be given very careful consideration. At high data rates, the design of the signal channels will have a strong influence on the data integrity and its associated jitter and ultimately bit error rate (BER).

While it might be considered very helpful to have a suggested circuit board layout for any particular system configuration, this is not something that can be practically realized. Systems come in all shapes, sizes, speeds, performance criteria and cost constraints. Therefore, some general design guidelines will be presented that can be used for all systems and judiciously modified where appropriate.

High-speed signals travel best, i.e. maintain their integrity, when they are carried by a uniform transmission line that is properly terminated at either end. Any abrupt mismatches in impedance or improper termination will create reflections that will add to or subtract from parts of the desired signal. Small amounts of this effect are unavoidable, but too much will distort the signal to the point that the channel BER will increase. It is difficult to fully quantify these effects, because they are influenced by many factors in the overall system design.

A constant-impedance transmission line is characterized by having a uniform cross-section profile over its entire length. In particular, there should be no “stubs,” which are branches that intersect the main run of the transmission line. These can have an electrical “appearance” that is approximated by a lumped element, such as a capacitor, or if long enough, as another transmission line. To the extent that stubs are unavoidable in a design, their effect can be minimized by making them as short as possible and as high an impedance as possible.

Figure 35 shows a differential transmission line that connects two differential outputs from AD8150s to a generic receiver. A more generalized system can have more outputs bused, and more receivers on the same bus, but all the same concepts apply. The inputs of the AD8150 can also be considered as a receiver. The transmission lines that bus all of the devices together are shown with terminations at each end.

The individual outputs of the AD8150 are stubs that intersect the main transmission line. Ideally, their current-source outputs would be infinite impedance, and they would have no effect on signals that propagate along the transmission line. In reality, each

external pin of the AD8150 projects into the package, and has a bond wire connected to the chip inside. On-chip wiring then connects to the collectors of the output transistors and to ESD protection diodes.

Unlike some other high-speed digital components, the AD8150 does not have on-chip terminations. While this location would be closer to the actual end of the transmission line for some architectures, this concept can limit system design options. In particular, it is not possible to bus more than two inputs or outputs on the same transmission line and it is also not possible to change the value of these terminations to use for different impedance transmission lines. The AD8150, with the added ability to disable its outputs, is much more versatile in these types of architectures.

If the external traces are kept to a bare minimum, then the output will present a mostly lumped capacitive load of about 2 pF. A single stub of 2 pF will not seriously adversely affect signal integrity for most transmission lines, but the more of these stubs, the more adverse their influence will be.

One way to mitigate this effect is to locally reduce the capacitance of the main transmission line near the point of stub intersection. Some practical means for doing this are to narrow the PC board traces in the region of the stub and/or to remove some of the ground plane(s) near this intersection. The effect of these techniques will locally lower the capacitance of the main transmission line at these points, while the added capacitance of the AD8150 outputs will “compensate” for this reduction in capacitance. The overall intent is to create as uniform a transmission line as possible.

In selecting the location of the termination resistors it is important to keep in mind that, as their name implies, they should be placed at either end of the line. There should be no or minimal projection of the transmission line beyond the point where the termination resistors connect to it.

EVALUATION BOARD

An evaluation board has been designed and is available to rapidly test the main features of the AD8150. This board lets the user analyze the analog performance of the AD8150 channels and easily control the configuration of the board by a standard PC.

Differential inputs and outputs provide the interface for all channels with the connections made by a 50 Ω , SMB-type connector. This type of connector was chosen for its rapid mating and unmating action. The use of SMB-type connectors minimizes the size and minimizes the effort of rearranging interconnects that would be required by using connectors such as SMA-type.

Configuration Programming

The board is configurable by one of two methods. For ease of use, custom software is provided that controls the AD8150 programming via the parallel port of a PC. This requires a user-supplied standard printer cable that has a DB-25 connector at one end (parallel- or printer-port interface) and a Centronix-type connector at the other that connects to P2 of the AD8150 evaluation board. The programming with this scheme is done in a serial fashion, so it is not the fastest way to configure the AD8150 matrix. However, the user interface makes it very convenient to use this programming method.

If a high-speed programming interface is desired, the AD8150 address and data buses are directly available on P3. The source

of the program signals can be a piece of test equipment, like the Tektronix HFS-9000 digital test generator, or some other user-supplied hardware that generates programming signals.

When using the PC interface, the jumper at W1 should be installed and no connections should be made to P3. When using the P3 interface, no jumper is installed at W1. There are locations for termination resistors for the address and data signals if these are necessary.

Power Supplies

The AD8150 is designed to work with standard ECL logic levels. This means that V_{CC} is at ground and V_{EE} is at a negative supply. The shells of the I/O SMB connectors are at V_{CC} potential. Thus, when operating in the standard ECL configuration, test equipment can be directly connected to the board, as the test equipment will have its connector “shells” at ground potential also.

Operating in PECL mode requires V_{CC} to be at a positive voltage, while V_{EE} is at ground. Since this would make the shells of the I/O connectors at a positive voltage, it can cause problems when directly connecting to test equipment. Some equipment, such as battery operated oscilloscopes, can be “floated” from ground, but care should be taken with line-powered equipment such that a dangerous situation is not created. Refer to the manual of the test equipment that is being used.

The voltage difference from V_{CC} to V_{EE} can range from 3 V to 5 V. Power savings can be realized by operating at a lower voltage without any compromise in performance.

A separate connection is provided for V_{TT} , the termination potential of the outputs. This can be at a voltage as high as V_{CC} , but power savings can be realized if V_{TT} is at a voltage that is somewhat lower. Please consult elsewhere in the data sheet for the specification for the limits of the V_{TT} supply.

As a practical matter, current on the evaluation board will flow from the V_{TT} supply, through the termination resistors and then through the AD8150 from its outputs to the V_{EE} supply. When running in ECL mode, V_{TT} will want to be at a negative supply.

Most power supplies will not allow their ground to connect to V_{CC} and then the negative supply to V_{TT} . This will require them to source current from their negative supply, which will not return to the ground terminal. Thus, V_{TT} should be referenced to V_{EE} when running in ECL mode or a true bipolar supply should be used.

The digital supply is provided to the AD8150 by the V_{DD} and V_{SS} pins. V_{SS} should always be at ground potential to make it compatible with standard CMOS or TTL logic. V_{DD} can range from 3 V to 5 V and should be matched to the supply voltage of the logic used to control the AD8150. However, since PCs use 5 V logic on their parallel port, V_{DD} should be at 5 V when using a PC to program the AD8150.

Software Installation

The software to operate the AD8150 is provided on two 3.5" floppy disks. The software is installed by inserting Disk 1 into the floppy drive of a PC and running the “setup.exe” program. This will routinely install the software and prompt the user when to change to Disk 2. The setup program will also prompt the user to select the directory location to store the program.

AD8150

After running the software, the user will be prompted to identify which (of three) software driver is used with the PC's parallel port. The default is LPT1, which is most commonly used. However, some laptops commonly use the PRN driver. It is also possible that some systems are configured with the LPT2 driver.

If it is not known which driver is used, it is best to select LPT1 and proceed to the next screen. This will show a full array of "buttons" that allows the connection of any input to output of the AD8150. All of the outputs should be in the output "OFF" state right after the program starts running. Any of the active buttons can be selected with a mouse click which will send out one burst of programming data.

After this, the PC keyboard's left or right arrow keyboard key can be held down to generate a steady stream of programming signals out of the parallel port. The CLOCK test point on the AD8150 evaluation board can be monitored with an oscilloscope for any activity (user-supplied printer cable must be connected). If there is a square-wave present, then the proper software driver is selected for the PC's parallel port.

If there is no signal present, then another driver should be tried by selecting the Parallel Port menu item under the "File" pull-down menu selection just under the title bar. Select a different software driver and carry out the above test until signal activity is present at the CLOCK test point.

Software Operation

Any button can be clicked in the matrix to program the input to output connection. This will send the proper programming sequence out the PC parallel port. Since only one input can be programmed to a given output at one time, clicking a button in a horizontal row will cancel the other selection that is already selected in that row. However, any number of outputs can share the same input. Refer to Figure 40.

A shortcut for programming all outputs to the same input is to use the broadcast feature. After clicking on the Broadcast Connection button, a window will appear that will prompt for the user to select which input should be connected to all outputs. The user should type in an integer from 0 to 32 and then click on OK. This will send out the proper program data and return to the main screen with a full column of buttons selected under the chosen input.

The Off column can be used to disable to whichever output one chooses. To disable all outputs, the Global Reset button can be clicked. This will select the full column of OFF buttons.

Two scratchpad memories (Memory 1 and Memory 2) are provided to conveniently save a particular configuration. However, these registers are erased when the program is terminated. For long-term storage of configurations, the disk-storage memory should be used. The Save and Load selections can be accessed from the "File" pull-down menu under the title bar.

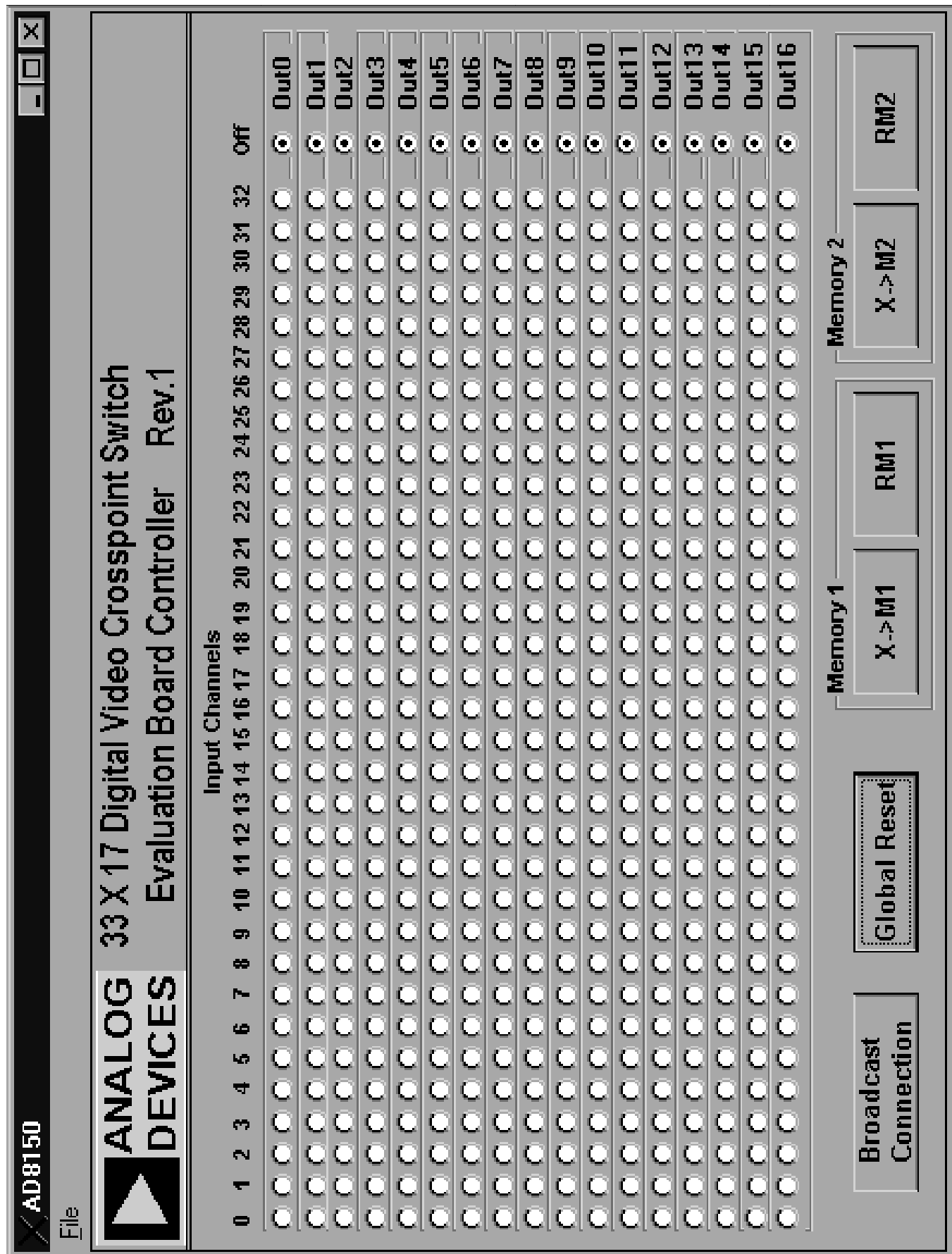


Figure 40.

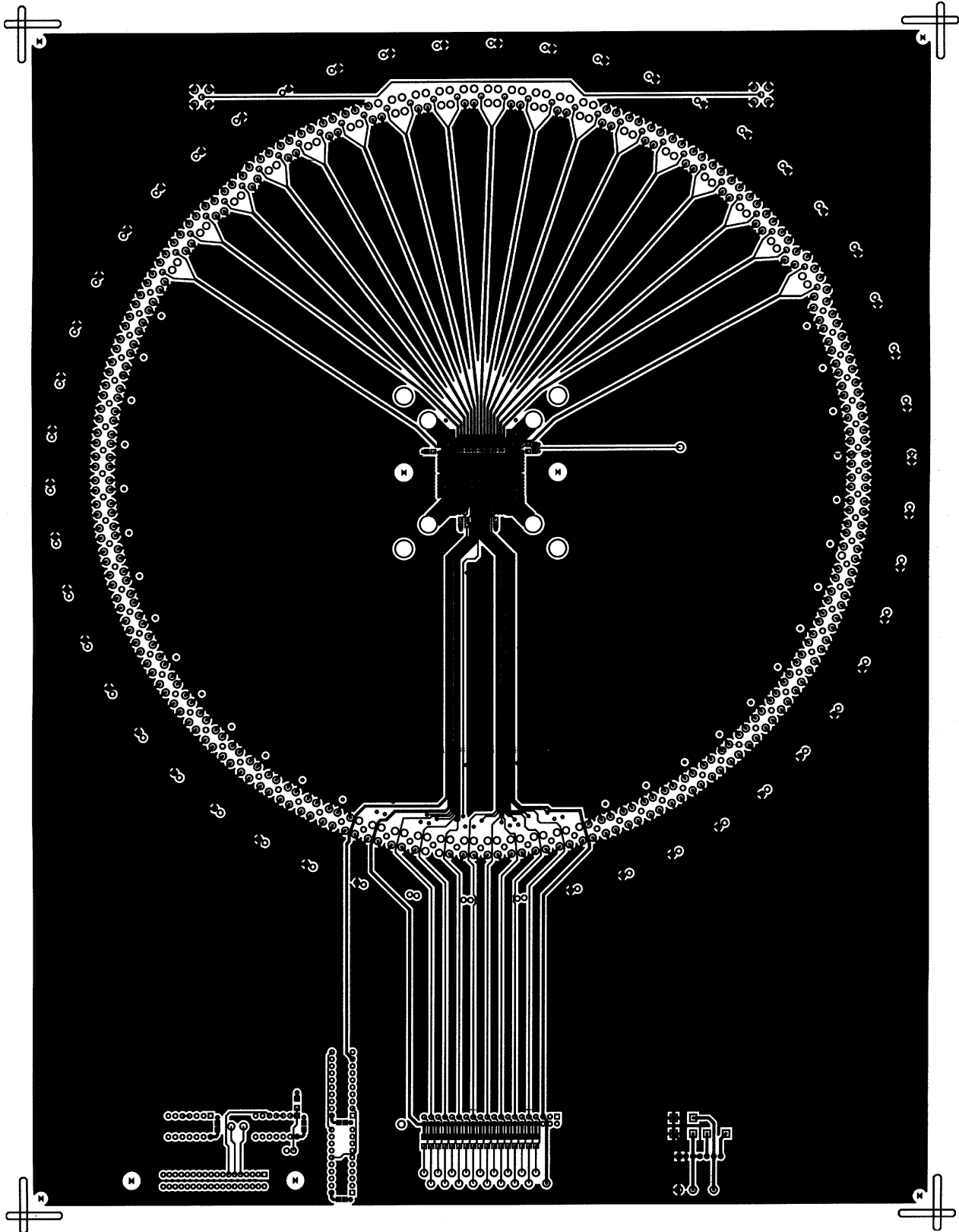


Figure 41. Component Side

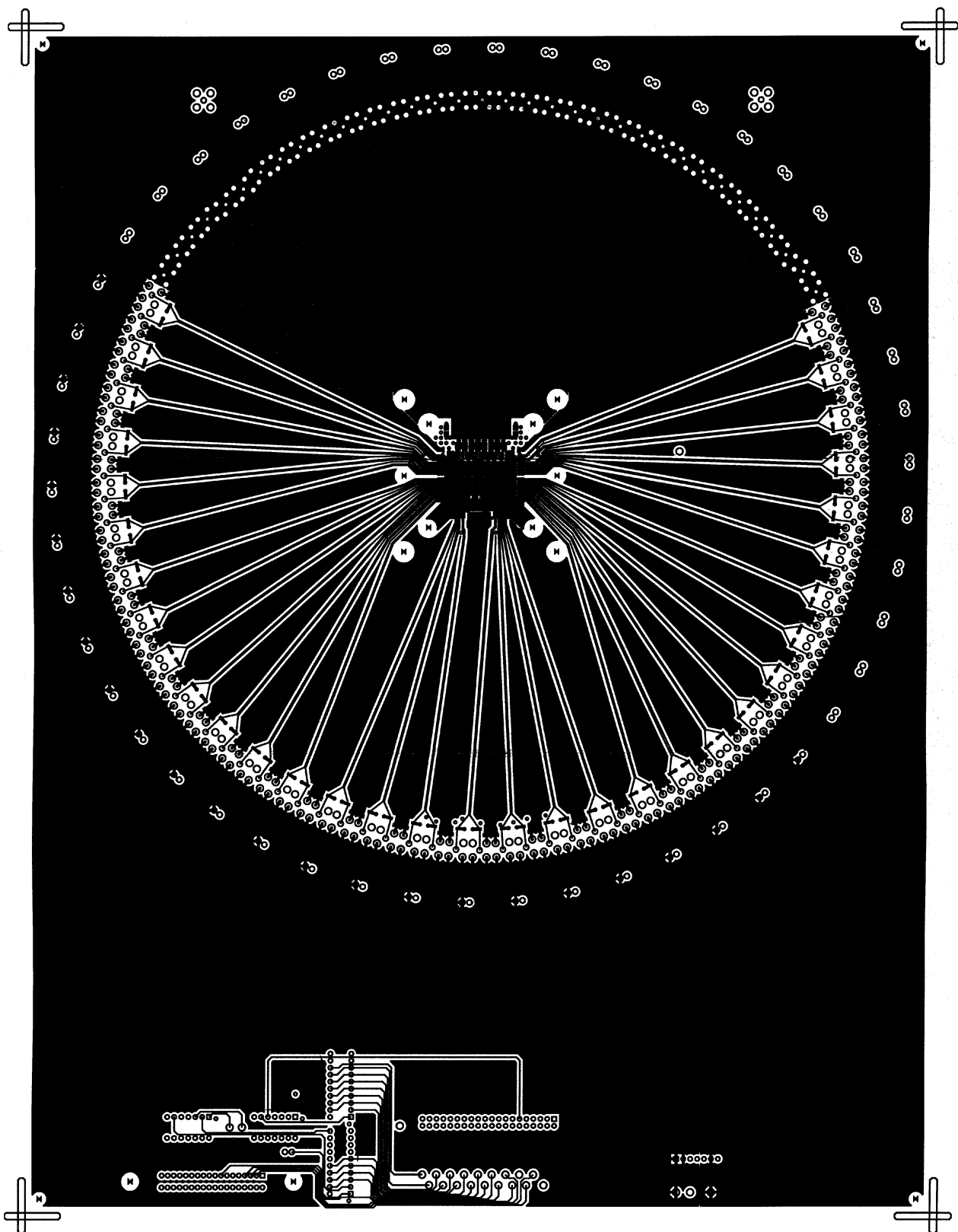


Figure 42. Circuit Side

AD8150

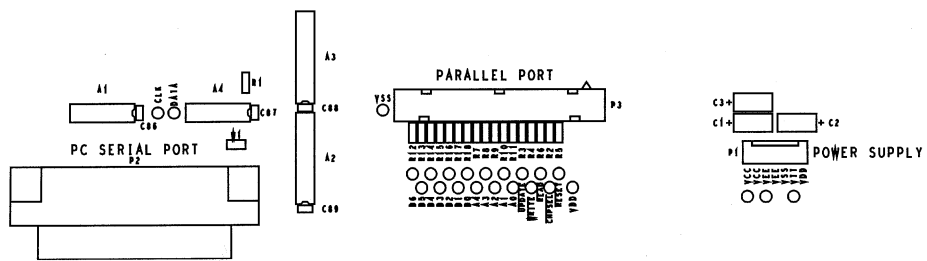
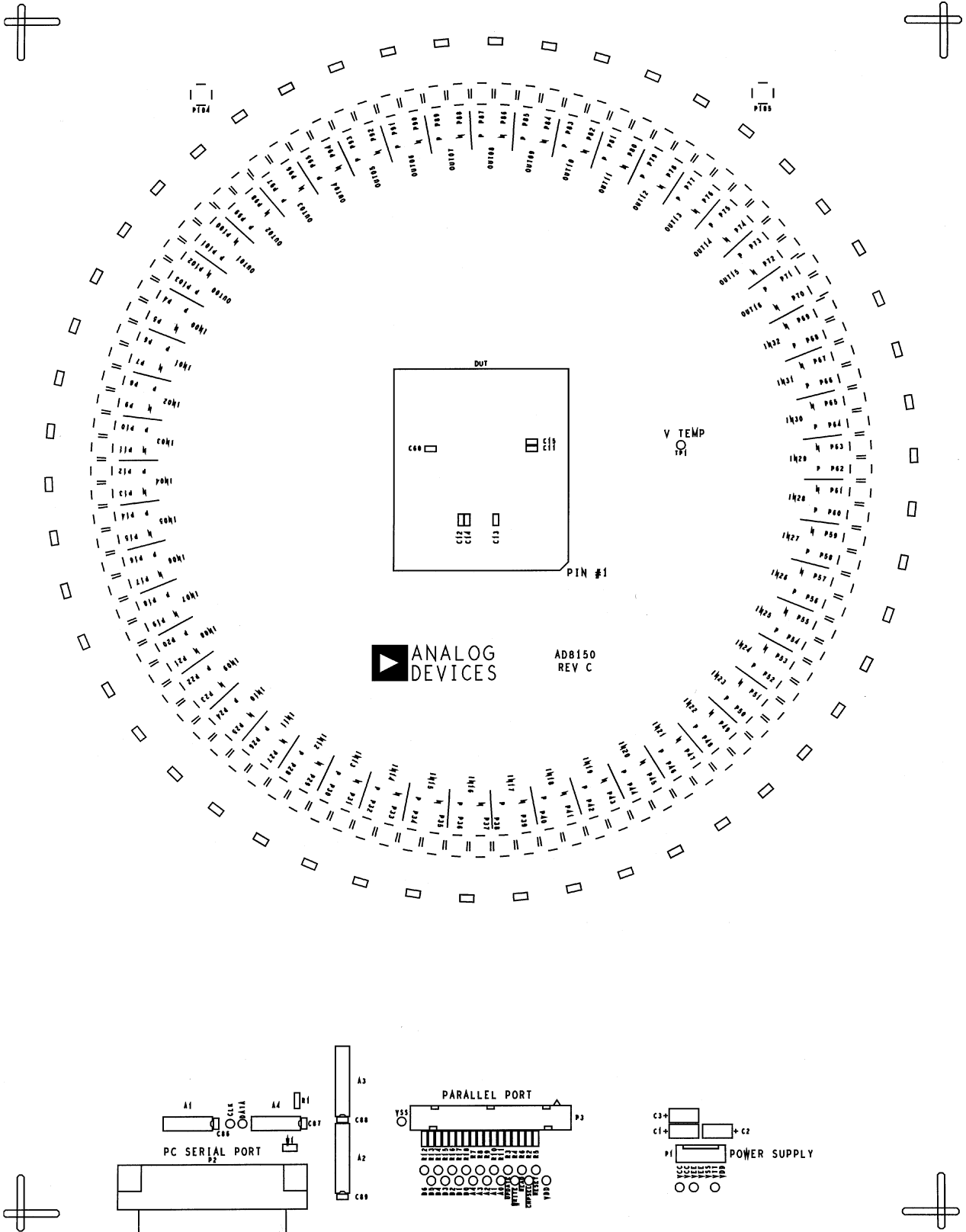


Figure 43. Silkscreen Top

AD8150

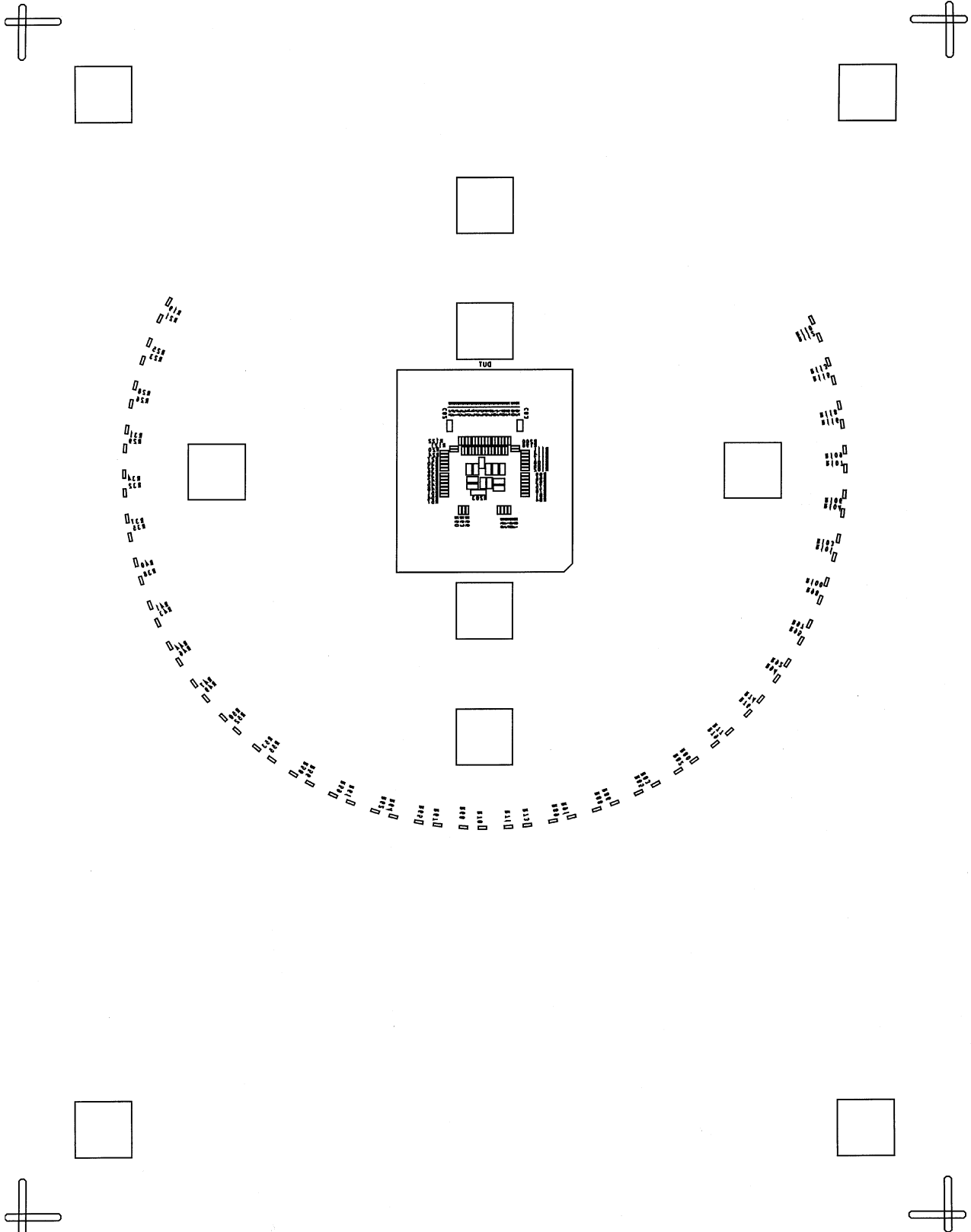


Figure 45. Silkscreen Bottom

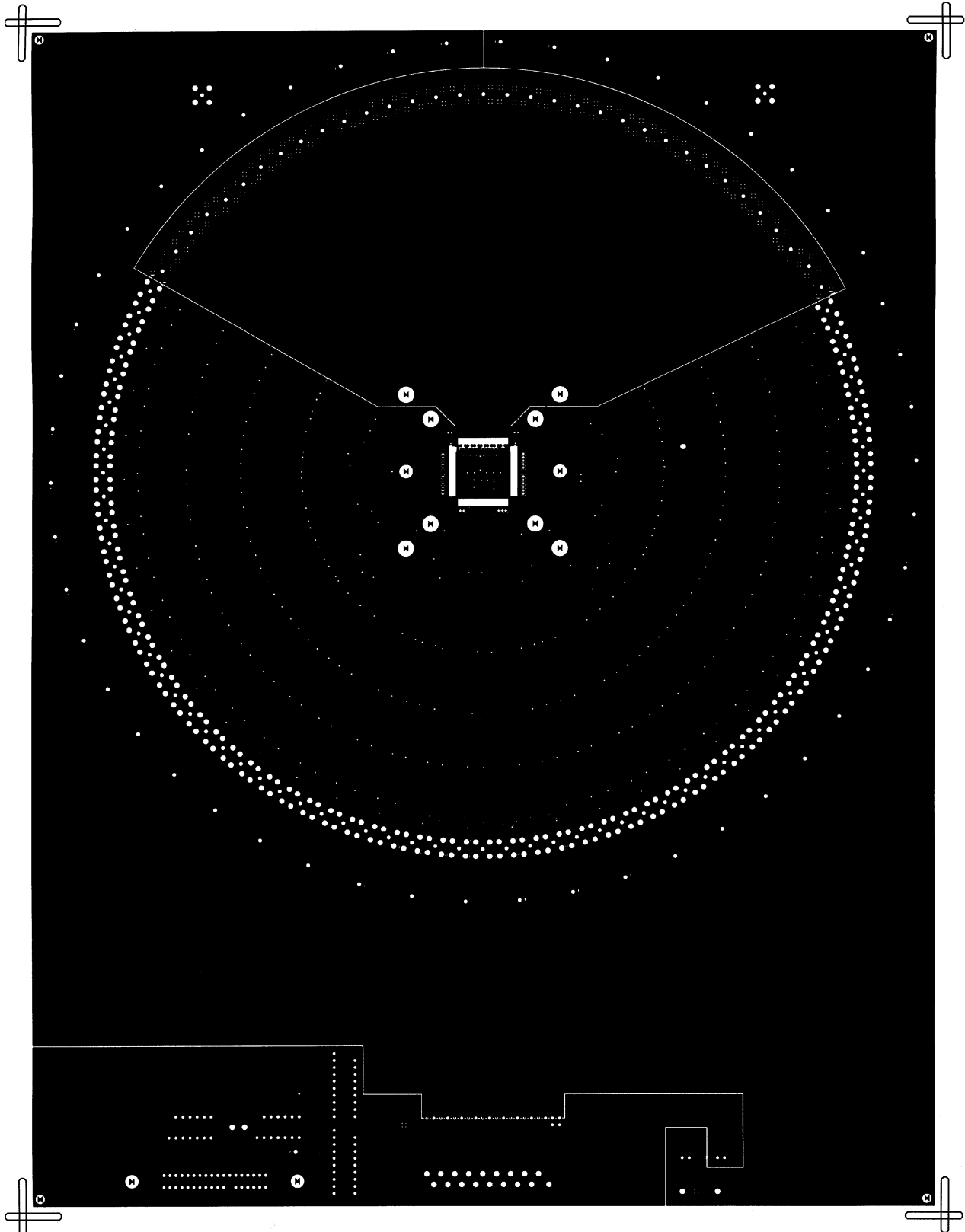


Figure 47. INT1 (V_{EE})

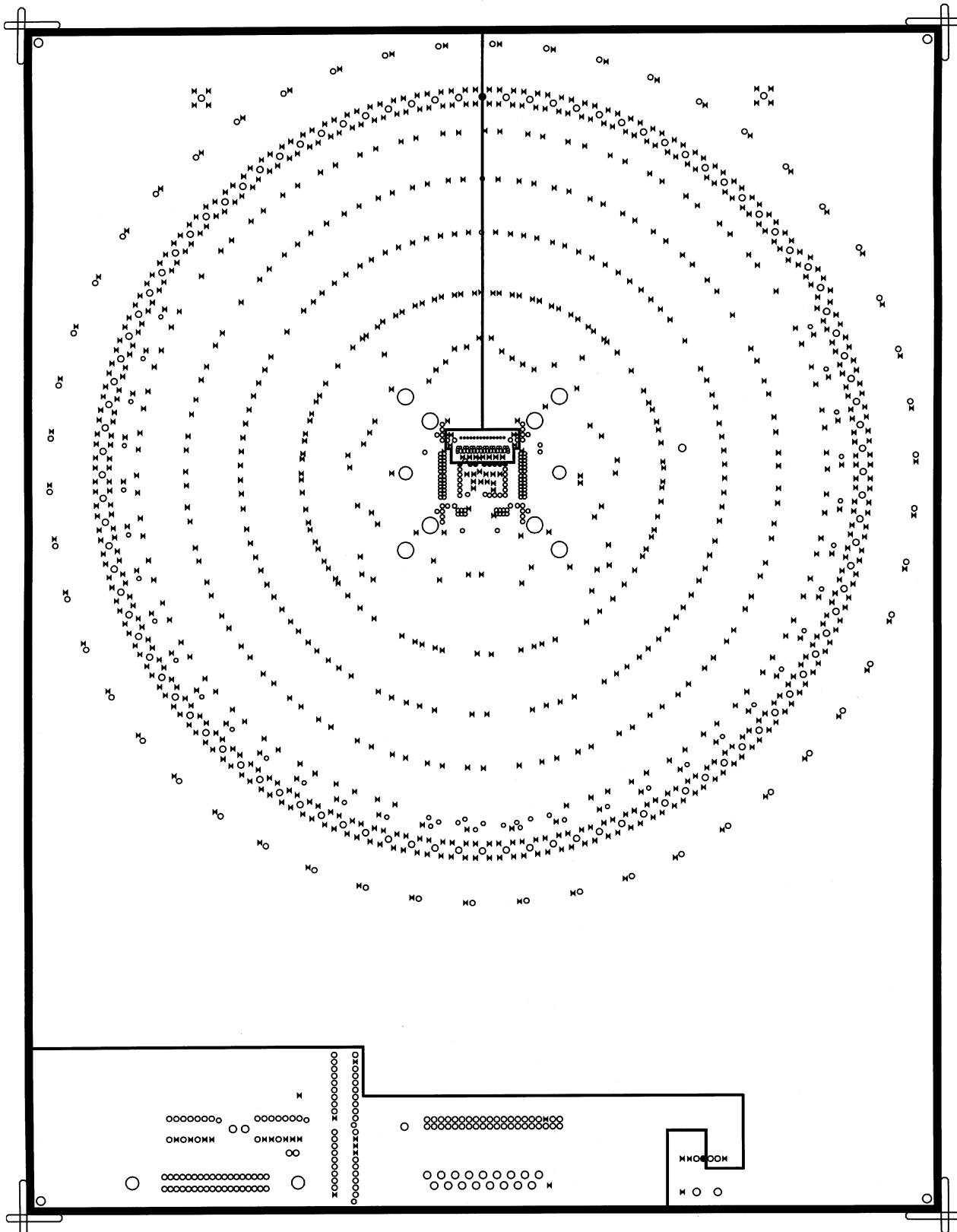


Figure 48. INT2 (V_{CC})

AD8150

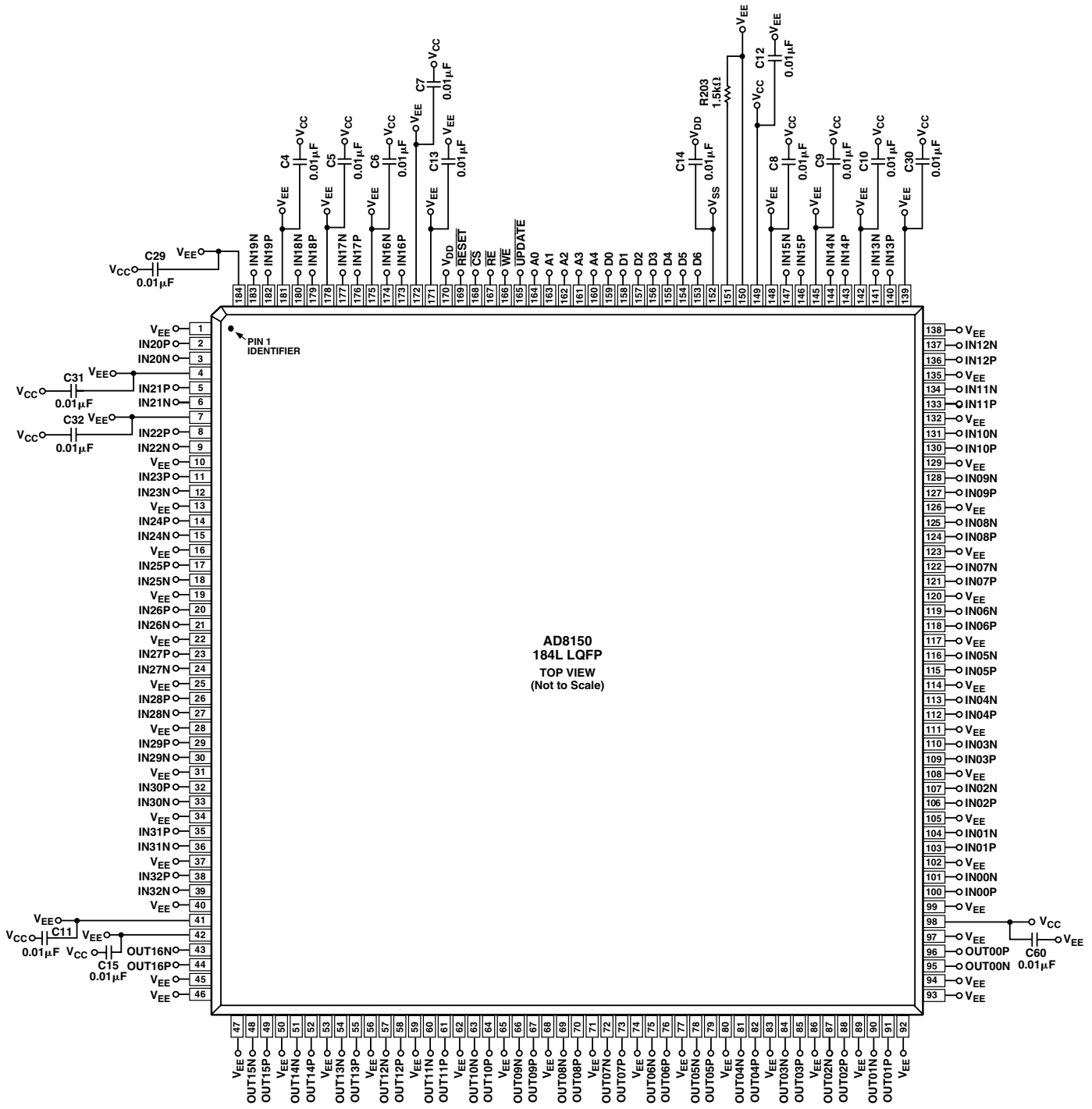


Figure 49. Bypassing Schematic

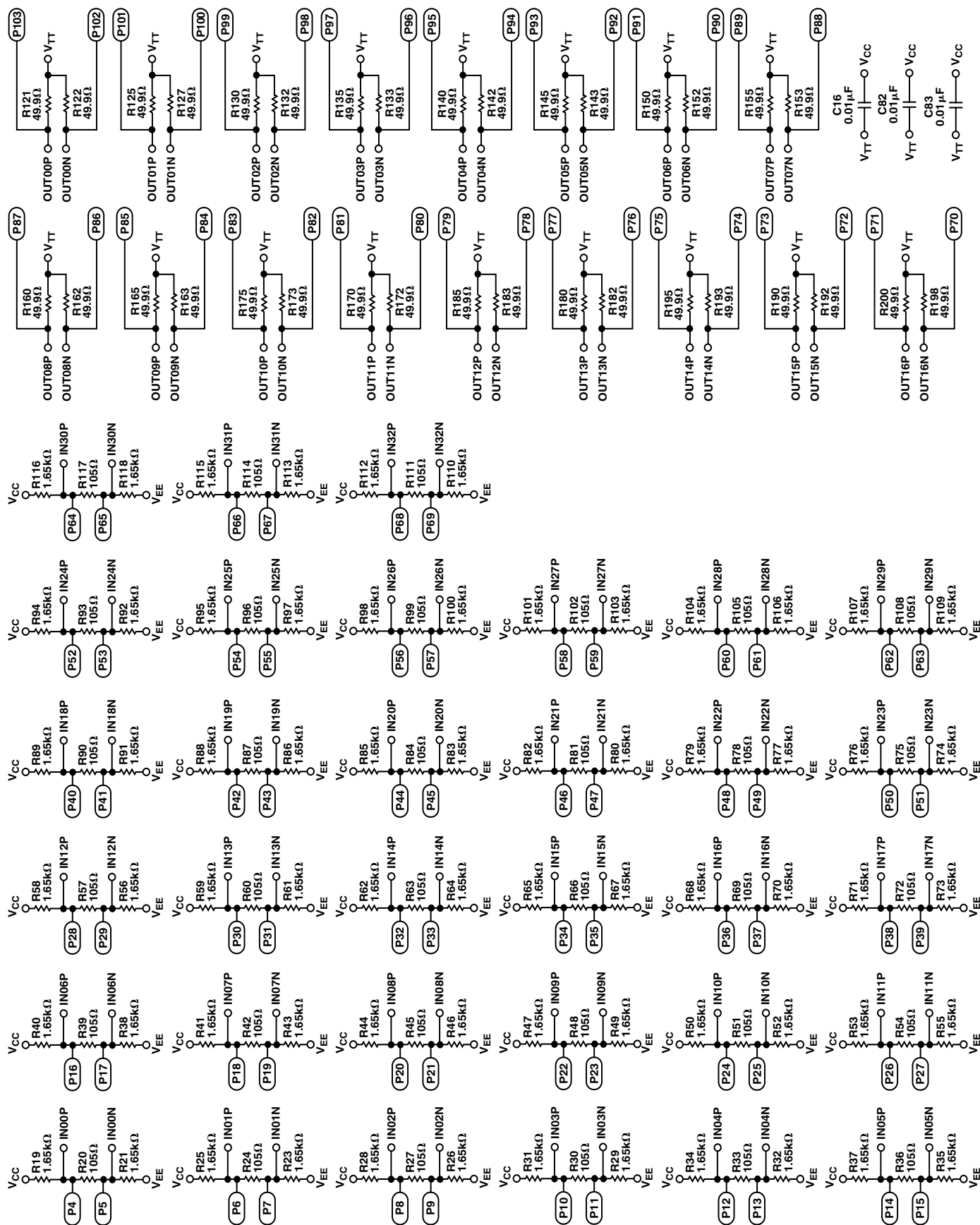


Figure 50.

AD8150

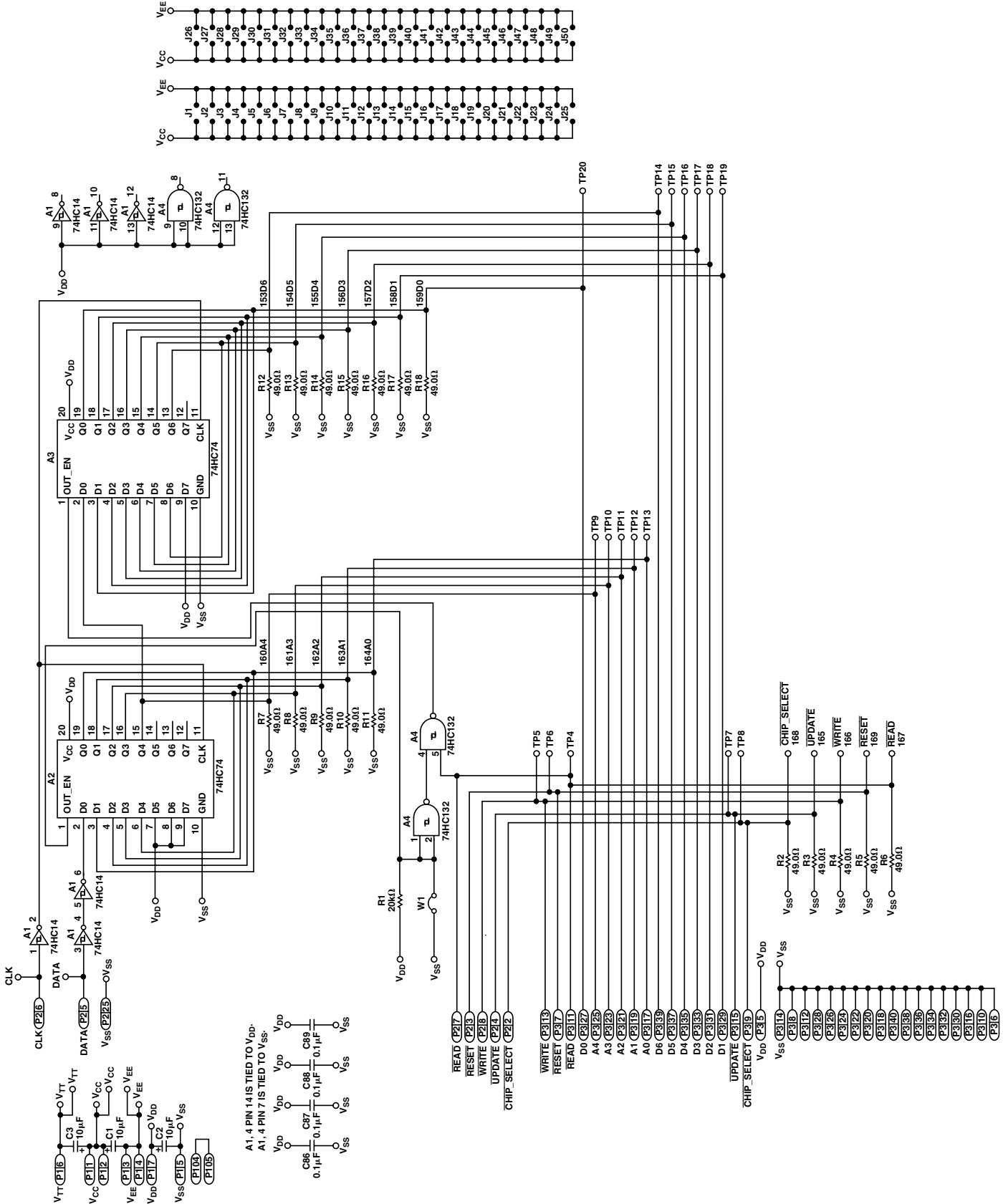
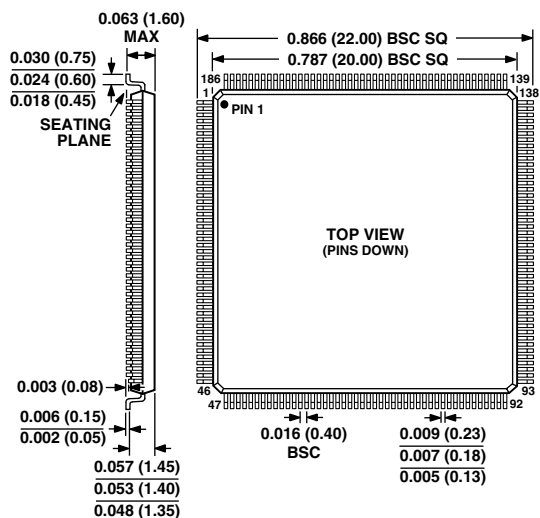


Figure 51.

OUTLINE DIMENSIONS

Dimensions shown in inches and (mm).

**184-Lead Plastic LQFP
(ST-184)**



CONTROLLING DIMENSIONS ARE IN MILLIMETERS