

Smart Highside Power Switch

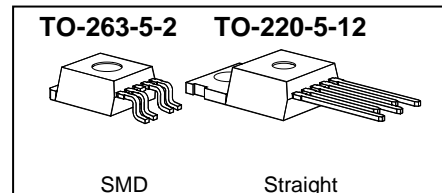
One Channel: 20mΩ

Status Feedback

Product Summary

| | | |
|----------------------|---------|--------------|
| On-state Resistance | RON | 20mΩ |
| Operating Voltage | Vbb(on) | 4.75 ... 41V |
| Nominal load current | IL(ISO) | 21A |
| Current limitation | IL(lim) | 65A |

Package



General Description

- N channel vertical power FET with charge pump, ground referenced CMOS compatible input, monolithically integrated in Smart SIPMOS® technology.
- Providing embedded protective functions.

Application

- μC compatible power switch for 5V, 12 V and 24 V DC applications
- All types of resistive, inductive and capacitive loads
- Most suitable for loads with high inrush currents, so as lamps
- Replaces electromechanical relays, fuses and discrete circuits

Basic Functions

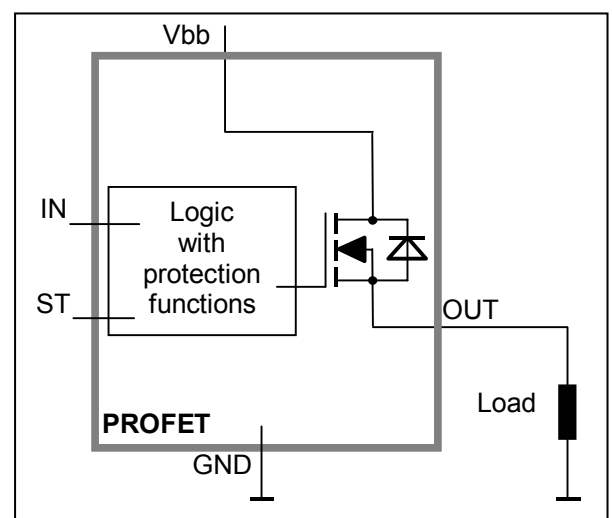
- Very low standby current
- Optimized static electromagnetic compatibility (EMC)
- μC and CMOS compatible
- Fast demagnetization of inductive loads
- Stable behaviour at undervoltage

Protection Functions

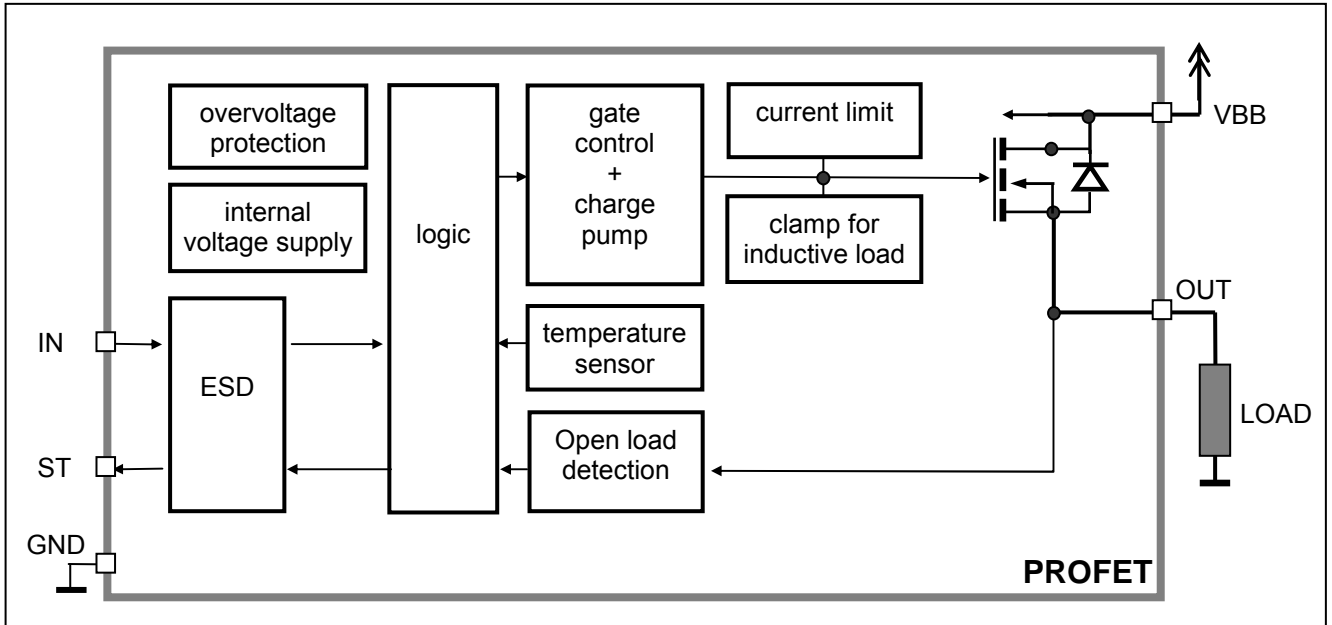
- Short circuit protection
- Current limitation
- Overload protection
- Thermal shutdown
- Overvoltage protection (including load dump) with external GND-resistor
- Reverse battery protection with external GND-resistor
- Loss of ground and loss of Vbb protection
- Electrostatic discharge (ESD) protection

Diagnostic Function

- Diagnostic feedback with open drain output
- Open load detection in OFF-state
- Feedback of thermal shutdown in ON-state



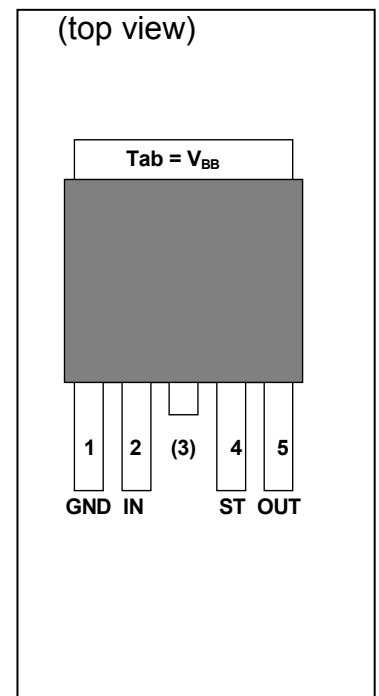
Functional diagram



Pin Definitions and Functions

| Pin | Symbol | Function |
|-----|-----------------|--|
| 1 | GND | Logic ground |
| 2 | IN | Input , activates the power switch in case of logical high signal |
| 3 | V _{bb} | Positive power supply voltage The tab is shorted to pin 3 |
| 4 | ST | Diagnostic feedback , low on failure |
| 5 | OUT | Output to the load |
| Tab | V _{bb} | Positive power supply voltage The tab is shorted to pin 3 |

Pin configuration



Maximum Ratings at $T_j = 25\text{ °C}$ unless otherwise specified

| Parameter | Symbol | Values | Unit | |
|---|--|--|------------------------------------|-----|
| Supply voltage (overvoltage protection see page 4) | V_{bb} | 43 | V | |
| Supply voltage for full short circuit protection $T_{j\text{ Start}} = -40 \dots +150\text{ °C}$ | V_{bb} | 34 | V | |
| Load dump protection ¹⁾ $V_{\text{LoadDump}} = V_A + V_s$, $V_A = 13.5\text{ V}$ $R_1^2) = 2\ \Omega$, $R_L = 0,5\ \Omega$, $t_d = 200\text{ ms}$, IN= low or high | $V_{\text{Load dump}}^{3)}$ | 60 | V | |
| Load current (Short-circuit current, see page 5) | I_L | self-limited | A | |
| Operating temperature range | T_j | -40 ... +150 | °C | |
| Storage temperature range | T_{stg} | -55 ... +150 | | |
| Power dissipation (DC) ; $TC \leq 25\text{ °C}$ | P_{tot} | 125 | W | |
| Maximal switchable inductance, single pulse $V_{bb} = 12\text{ V}$, $T_{j,\text{start}} = 150\text{ °C}$, $T_C = 150\text{ °C}$ const. (see diagram, p.7) $I_{L(\text{ISO})} = 21\text{ A}$, $R_L = 0\ \Omega$; $E_{\text{AS}}^{4)} = 0.7\text{ J}$: | Z_L | 2.1 | mH | |
| Electrostatic discharge capability (ESD) (Human Body Model) IN: ST: Out to all other pins shorted: | V_{ESD} | 1.0 4.0 8.0 | kV | |
| acc. MIL-STD883D, method 3015.7 and ESD assn. std. S5.1-1993; $R = 1.5\text{ k}\Omega$; $C = 100\text{ pF}$ | | | | |
| Input voltage (DC) | V_{IN} | -10 ... +16 | V | |
| Current through input pin (DC) | I_{IN} | ± 2.0 | mA | |
| Current through status pin (DC) see internal circuit diagrams page 7 | I_{ST} | ± 5.0 | | |
| Thermal resistance | chip - case: junction - ambient (free air): SMD version, device on pcb ⁵⁾ : | R_{thJC} R_{thJA} | ≤ 1 ≤ 75 ≤ 33 | K/W |

1) Supply voltages higher than $V_{bb(\text{AZ})}$ require an external current limit for the GND pin, e.g. with a $150\ \Omega$ resistor in the GND connection. A resistor for the protection of the input is integrated.

2) R_1 = internal resistance of the load dump test pulse generator

3) $V_{\text{Load dump}}$ is setup without the DUT connected to the generator per ISO 7637-1 and DIN 40839

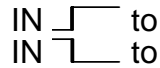
4) E_{AS} is the maximum inductive switch off energy

5) Device on $50\text{ mm} \times 50\text{ mm} \times 1.5\text{ mm}$ epoxy PCB FR4 with 6 cm^2 (one layer, $70\ \mu\text{m}$ thick) copper area for V_{bb} connection. PCB is vertical without blown air.

Electrical Characteristics

| Parameter and Conditions at $T_j = -40...+150^\circ\text{C}$, $V_{bb} = 12\text{ V}$ unless otherwise specified | Symbol | Values | | | Unit |
|---|--------|--------|-----|-----|------|
| | | min | typ | max | |

Load Switching Capabilities and Characteristics

| | | | | | | |
|---|---|-----------------------|----------|-----------|------------|------------------|
| On-state resistance (V_{bb} (pin3) to OUT (pin5)); $I_L = 2\text{ A}$ $V_{bb} \geq 7\text{ V}$; see diagram page 9 | $T_j = 25^\circ\text{C}$: $T_j = 150^\circ\text{C}$: | R_{ON} | -- | 15 28 | 20 37 | m Ω |
| Nominal load current (pin 3 to 5) ISO 10483-1, 6.7: $V_{ON} = 0.5\text{ V}$, $T_c = 85^\circ\text{C}$ | | $I_{L(ISO)}$ | 17 | 21 | -- | A |
| Output current (pin 5) while GND disconnected or GND pulled up ⁶⁾ , $V_{bb} = 30\text{ V}$, $V_{IN} = 0$, see diagram page 7 | | $I_{L(GNDhigh)}$ | -- | -- | 2 | mA |
| Turn-on time Turn-off time $R_L = 12\ \Omega$, | IN  to 90% V_{OUT} : to 10% V_{OUT} : | t_{on} t_{off} | 40 40 | 90 110 | 200 250 | μs |
| Slew rate on 10 to 30% V_{OUT} , $R_L = 12\ \Omega$, | | dV/dt_{on} | 0.1 | -- | 1 | V/ μs |
| Slew rate off 70 to 40% V_{OUT} , $R_L = 12\ \Omega$, | | $-dV/dt_{off}$ | 0.1 | -- | 1 | V/ μs |

Operating Parameters

| | | | | | | |
|--|--|---------------|-----------------------------|----------------------|----------------------|---------------|
| Operating voltage | $T_j = -40^\circ\text{C}$ $T_j = +25^\circ\text{C}$ $T_j = +105^\circ\text{C}$ ⁶⁾ $T_j = +150^\circ\text{C}$ | $V_{bb(on)}$ | 4.75 4.75 4.75 5.0 | -- -- -- -- | 41 43 43 43 | V |
| Overvoltage protection ⁷⁾ $I_{bb} = 40\text{ mA}$ | $T_j = -40^\circ\text{C}$: $T_j = +25...+150^\circ\text{C}$: | $V_{bb(AZ)}$ | 41 43 | -- 47 | -- 52 | V |
| Standby current (pin 3) ⁸⁾ $V_{IN} = 0$ see diagram page 9 | $T_j = -40...+25^\circ\text{C}$: $T_j = +105^\circ\text{C}$ ⁶⁾ : $T_j = +150^\circ\text{C}$: | $I_{bb(off)}$ | -- -- -- | 5 -- -- | 10 10 25 | μA |
| Off-State output current (included in $I_{bb(off)}$) $V_{IN} = 0$ | | $I_{L(off)}$ | -- | 1.5 | 10 | μA |
| Operating current (Pin 1) ⁹⁾ , $V_{IN} = 5\text{ V}$, | | I_{GND} | -- | 2 | 4 | mA |

⁶⁾ not subject to production test, specified by design

⁷⁾ see also $V_{ON(CL)}$ in table of protection functions and circuit diagram page 7

⁸⁾ Measured with load, typ. 40 μA when no load in off

⁹⁾ Add I_{ST} , if $I_{ST} > 0$, add I_{IN} , if $V_{IN} > 5.5\text{ V}$

| Parameter and Conditions at $T_j = -40\dots+150^\circ\text{C}$, $V_{bb} = 12\text{ V}$ unless otherwise specified | Symbol | Values | | | Unit | |
|--|---|------------------------------|----------------|----------------|----------------|------------------|
| | | min | typ | max | | |
| Protection Functions¹⁰⁾ | | | | | | |
| Current limit (pin 3 to 5) (see timing diagrams, page 9) | $T_j = -40^\circ\text{C}$: $T_j = 25^\circ\text{C}$: $T_j = +150^\circ\text{C}$: | $I_{L(\text{lim})}$ | -- -- 40 | -- 65 -- | 85 -- -- | A |
| Repetitive short circuit current limit $T_j = T_{jt}$ (see timing diagrams, page 10) | | $I_{L(\text{SCR})}$ | -- | 55 | -- | A |
| Thermal shutdown time ¹¹⁾¹²⁾ (see timing diagram on page 10) | $T_{j,\text{start}} = 25^\circ\text{C}$: | $T_{\text{off}(\text{SC})}$ | -- | 14 | -- | ms |
| Output clamp (inductive load switch off) at $V_{\text{OUT}} = V_{bb} - V_{\text{ON}(\text{CL})}$, $I_L = 40\text{ mA}$ | $T_j = -40^\circ\text{C}$: $T_j = 25\dots150^\circ\text{C}$: | $V_{\text{ON}(\text{CL})}$ | 41 43 | -- 47 | -- 52 | V |
| Thermal overload trip temperature | | T_{jt} | 150 | -- | -- | $^\circ\text{C}$ |
| Thermal hysteresis | | ΔT_{jt} | -- | 10 | -- | K |
| Reverse battery (pin 3 to 1) ¹³⁾ | | $-V_{bb}$ | -- | -- | 32 | V |
| Reverse battery voltage drop ($V_{\text{OUT}} > V_{bb}$) $I_L = -2\text{A}$ | $T_j = +150^\circ\text{C}$: | $-V_{\text{ON}(\text{rev})}$ | -- | 540 | -- | mV |

¹⁰⁾ Integrated protection functions are designed to prevent IC destruction under fault conditions described in the data sheet. Fault conditions are considered as "outside" normal operating range. Protection functions are not designed for continuous repetitive operation.

¹¹⁾ not subject to production test, specified by design

¹²⁾ Device on 50mm*50mm*1.5mm epoxy PCB FR4 with 6cm² (one layer, 70μm thick) copper area for V_{bb} connection. PCB is vertical without blown air.



¹³⁾ Requires 150 Ω resistor in GND connection. The reverse load current through the intrinsic drain-source diode has to be limited by the connected load. Note that the power dissipation is higher compared to normal operating conditions due to the voltage drop across the intrinsic drain-source diode. The temperature protection is not active during reverse current operation! Input and Status currents have to be limited (see max. ratings page 1 and circuit page 7).

| Parameter and Conditions at $T_j = -40...+150^\circ\text{C}$, $V_{bb} = 12\text{ V}$ unless otherwise specified | Symbol | Values | | | Unit |
|---|--------|--------|-----|-----|------|
| | | min | typ | max | |

Diagnostic Characteristics

| | | | | | |
|--|----------------------|---|---|---|---|
| Open load detection voltage ¹⁴⁾ | $V_{\text{OUT(OL)}}$ | 2 | 3 | 4 | V |
|--|----------------------|---|---|---|---|

Input and Status Feedback¹⁵⁾

| | | | | | | |
|---|---|---------------------------|-----|-----|-----|---------------|
| Input resistance | see circuit page 7 | R_I | 2.5 | 3.8 | 6.5 | k Ω |
| Input turn-on threshold voltage |  | $V_{\text{IN(T+)}}$ | 1.2 | -- | 2.2 | V |
| Input turn-off threshold voltage |  | $V_{\text{IN(T-)}}$ | 0.8 | -- | -- | V |
| Input threshold hysteresis | | $\Delta V_{\text{IN(T)}}$ | -- | 0.3 | -- | V |
| Off state input current (pin 2) | $V_{\text{IN}} = 0.4\text{ V}$: | $I_{\text{IN(off)}}$ | 1 | -- | 15 | μA |
| On state input current (pin 2) | $V_{\text{IN}} = 5\text{ V}$: | $I_{\text{IN(on)}}$ | 4.5 | 12 | 24 | μA |
| Delay time for status with open load after switch off (see timing diagrams, page 11), | | $t_{\text{ST delay}}$ | -- | -- | 500 | μs |
| Status output (open drain) | | | | | | |
| Zener limit voltage | $I_{\text{ST}} = +1.6\text{ mA}$: | $V_{\text{ST(high)}}$ | 5.4 | 6.1 | -- | V |
| ST low voltage | $I_{\text{ST}} = +1.6\text{ mA}::$ | $V_{\text{ST(low)}}$ | -- | -- | 0.4 | |

Truth Table

| | IN | OUT | ST |
|---------------------------|----|-----|------------------|
| Normal operation | L | L | H |
| | H | H | H |
| Open load | L | Z | L ¹⁶⁾ |
| | H | H | H |
| Short circuit to V_{bb} | L | H | L |
| | H | H | H |
| Overtemperature | L | L | H |
| | H | L | L |

L = "Low" Level
H = "High" Level

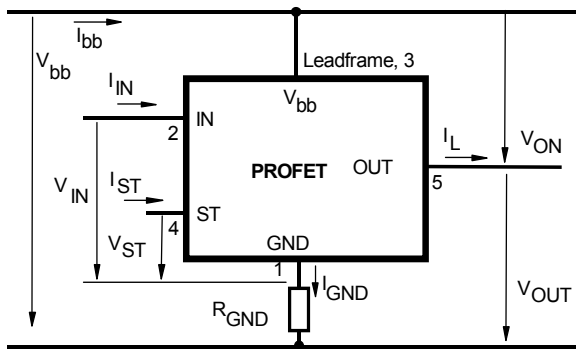
Z = high impedance, potential depends on external circuit
Status signal valid after the time delay shown in the timing diagrams

¹⁴⁾ External pull up resistor required for open load detection in off state

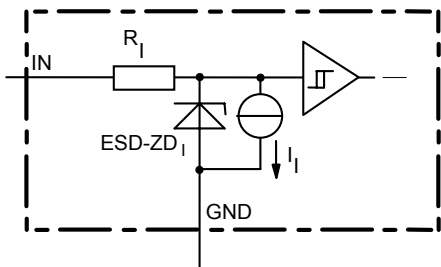
¹⁵⁾ If a ground resistor R_{GND} is used, add the voltage drop across this resistor.

¹⁶⁾ L, if potential at the Output exceeds the OpenLoad detection voltage

Terms

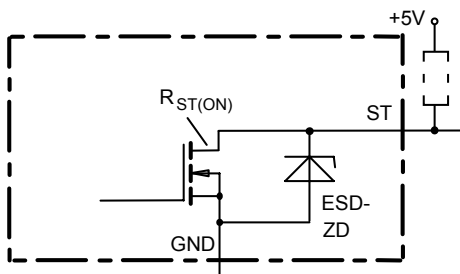


Input circuit (ESD protection)



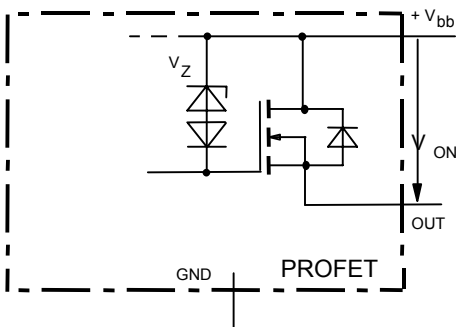
The use of ESD zener diodes as voltage clamp at DC conditions is not recommended.

Status output



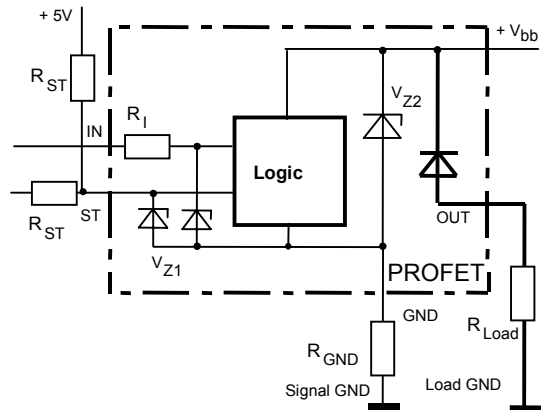
ESD-Zener diode: 6.1 V typ., max 5.0 mA; $R_{ST(ON)} < 375 \Omega$ at 1.6 mA, ESD zener diodes are not to be used as voltage clamp at DC conditions. Operation in this mode may result in a drift of the zener voltage (increase of up to 1 V).

Inductive and overvoltage output clamp



V_{ON} clamped to 47 V typ.

Overvolt. and reverse batt. protection



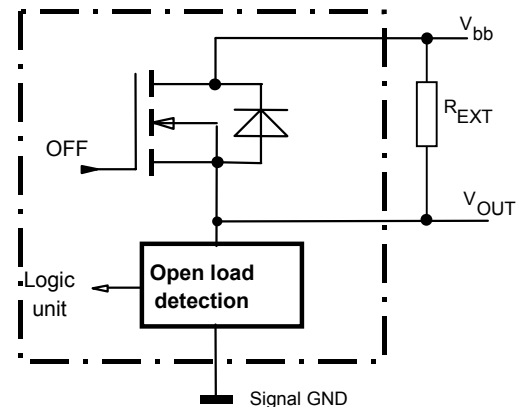
$V_{Z1} = 6.1 \text{ V typ.}$, $V_{Z2} = 47 \text{ V typ.}$, $R_{GND} = 150 \Omega$, $R_{ST} = 15 \text{ k}\Omega$, $R_1 = 3.5 \text{ k}\Omega \text{ typ.}$

In case of reverse battery the load current has to be limited by the load. Temperature protection is not active

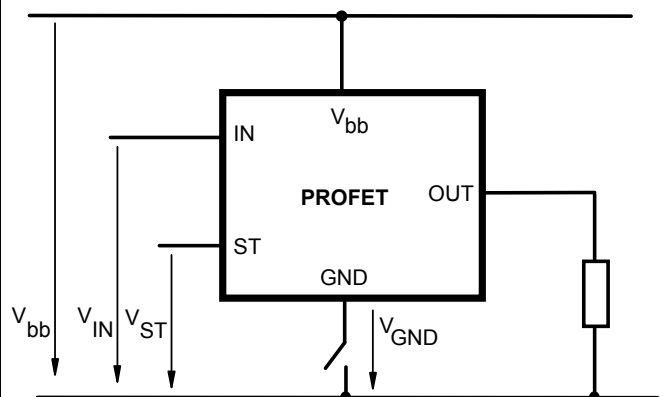
Open-load detection

OFF-state diagnostic condition:

Open Load, if $V_{OUT} > 3 \text{ V typ.}$; IN low

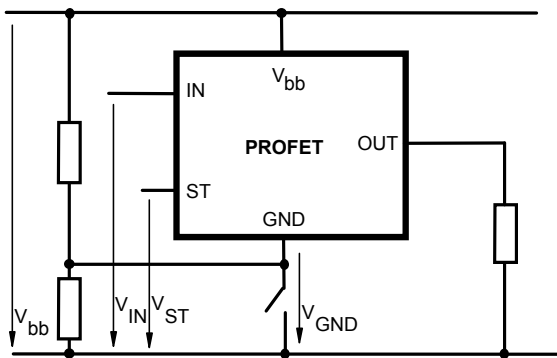


GND disconnect



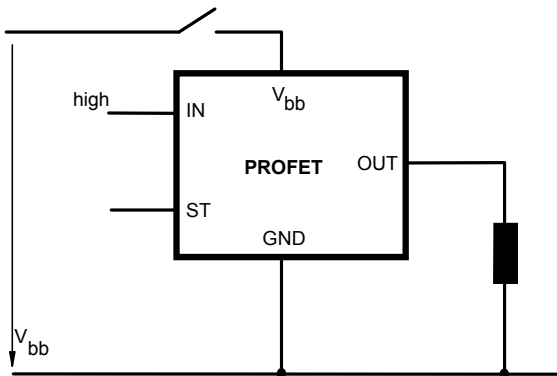
Any kind of load. In case of Input=high is $V_{OUT} \approx V_{IN} - V_{IN(T+)}$.

GND disconnect with GND pull up



Any kind of load. If $V_{GND} > V_{IN} - V_{IN(T+)}$ device stays off
 Due to $V_{GND} > 0$, no $V_{ST} = \text{low}$ signal available.

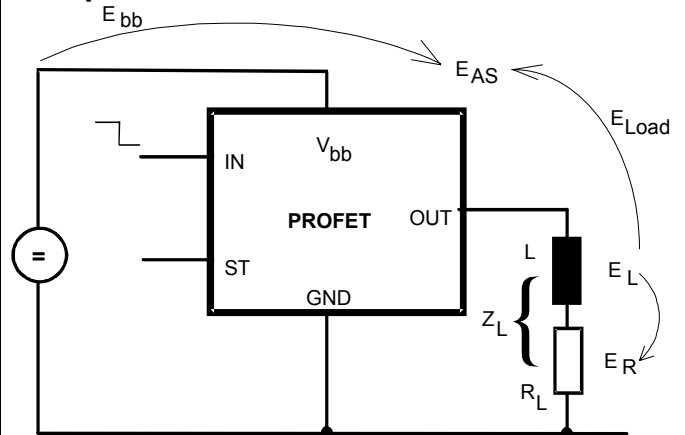
Vbb disconnect with charged inductive load



For inductive load currents up to the limits defined by Z_L (max. ratings and diagram on page 8) each switch is protected against loss of V_{bb} .

Consider at your PCB layout that in the case of V_{bb} disconnection with energized inductive load all the load current flows through the GND connection.

Inductive load switch-off energy dissipation



Energy stored in load inductance:

$$E_L = 1/2 \cdot L \cdot I_L^2$$

While demagnetizing load inductance, the energy dissipated in PROFET is

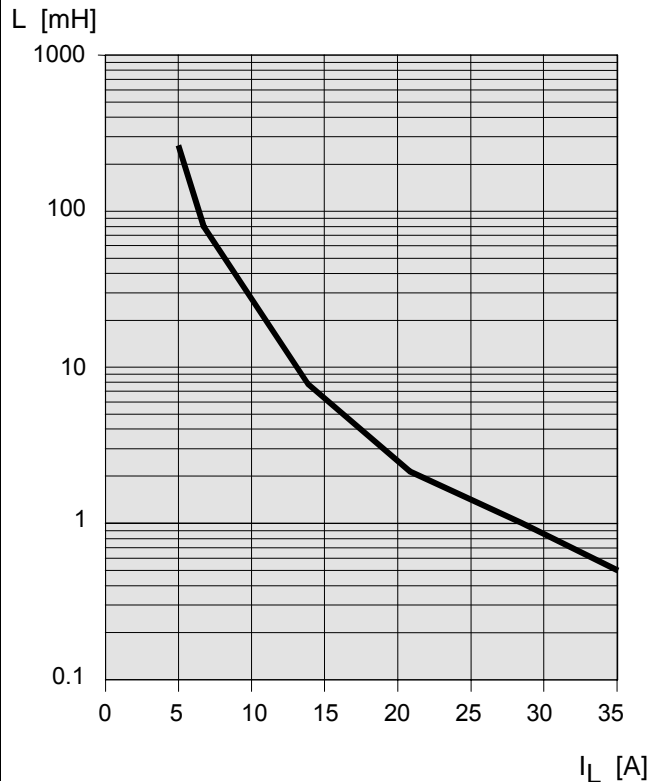
$$E_{AS} = E_{bb} + E_L - E_R = V_{ON(CL)} \cdot i_L(t) dt,$$

with an approximate solution for $R_L > 0\Omega$:

$$E_{AS} = \frac{I_L \cdot L}{2 \cdot R_L} (V_{bb} + |V_{OUT(CL)}|) \ln \left(1 + \frac{I_L \cdot R_L}{|V_{OUT(CL)}|} \right)$$

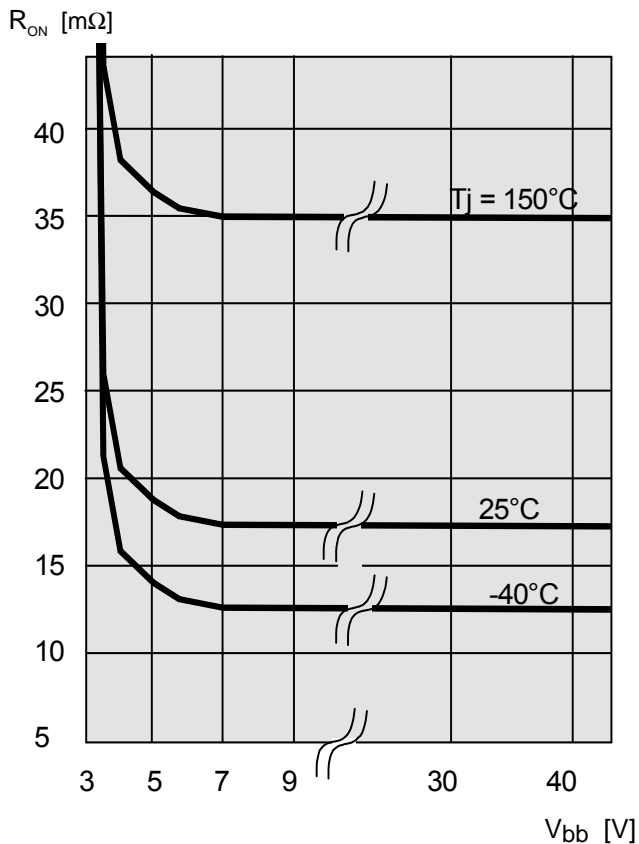
Maximum allowable load inductance for a single switch off

$$L = f(I_L); T_{j,start} = 150^\circ\text{C}, V_{bb} = 12\text{V}, R_L = 0\Omega$$



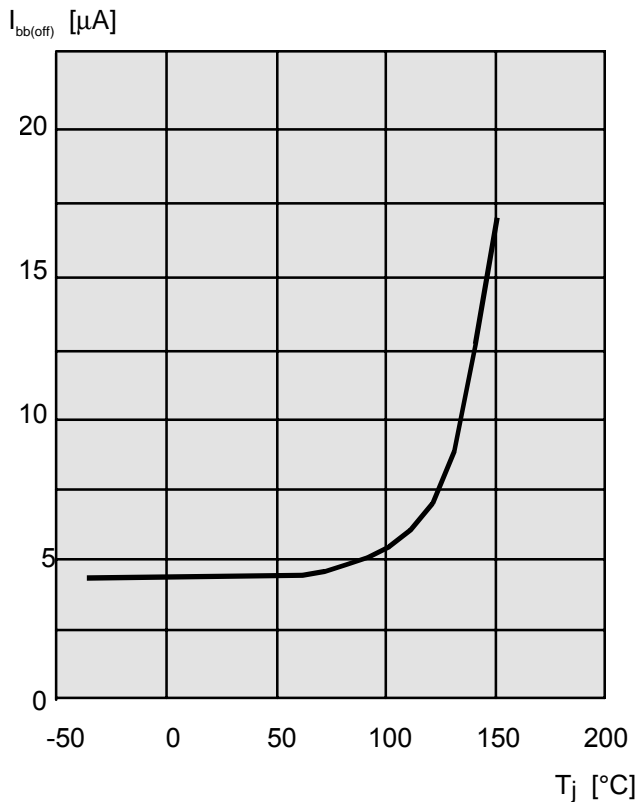
Typ. on-state resistance

$R_{ON} = f(V_{bb}, T_j); I_L = 2\text{ A}, I_N = \text{high}$



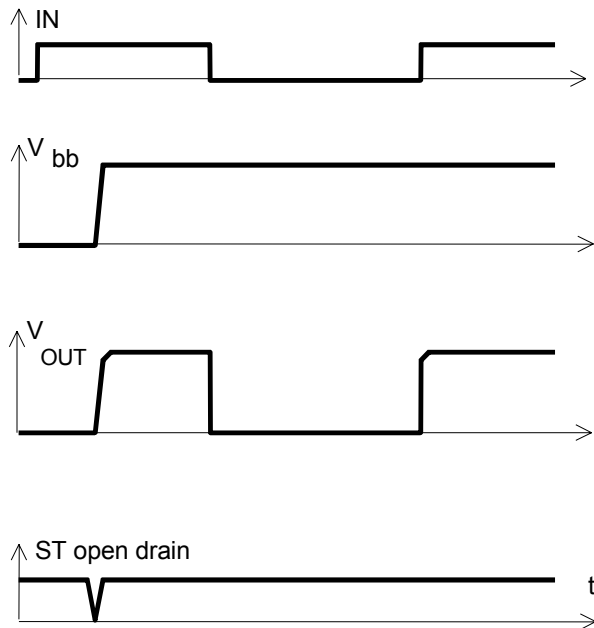
Typ. standby current

$I_{bb(off)} = f(T_j); V_{bb} = 9\text{...}34\text{ V}, I_{N1,2} = \text{low}$



Timing diagrams

Figure 1a: V_{bb} turn on:



proper turn on under all conditions

Figure 2a: Switching a resistive load, turn-on/off time and slew rate definition:

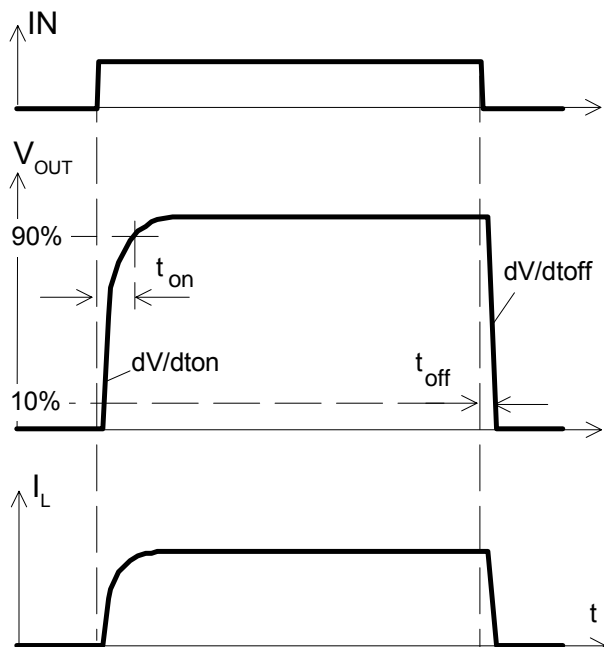


Figure 2b: Switching a lamp,

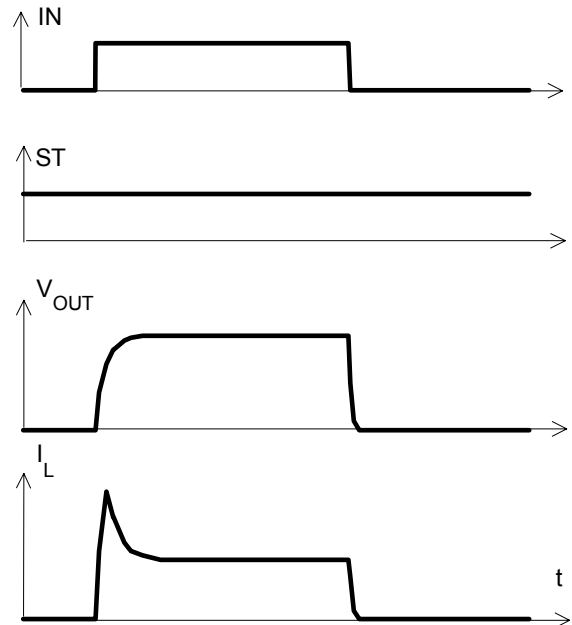
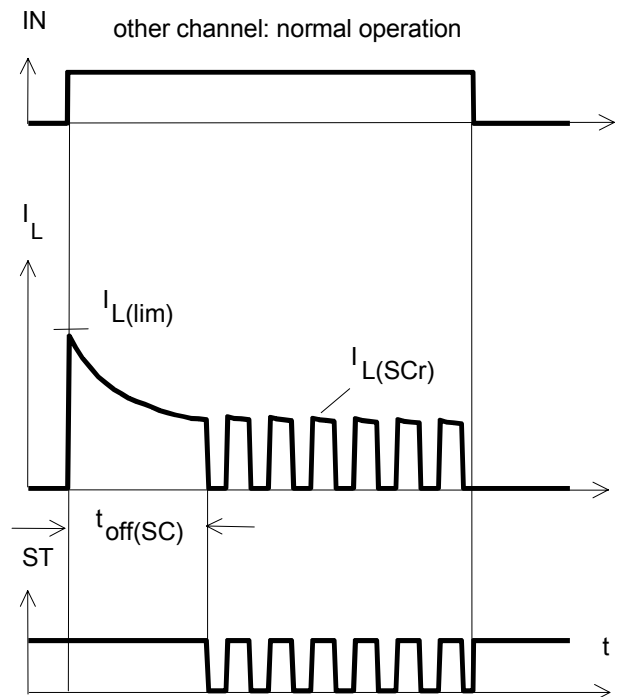


Figure 3a: Short circuit shut down by overtemperature, reset by cooling



Heating up may require several milliseconds, depending on external conditions

Figure 4a: Overtemperature:
Reset if $T_j < T_{jt}$

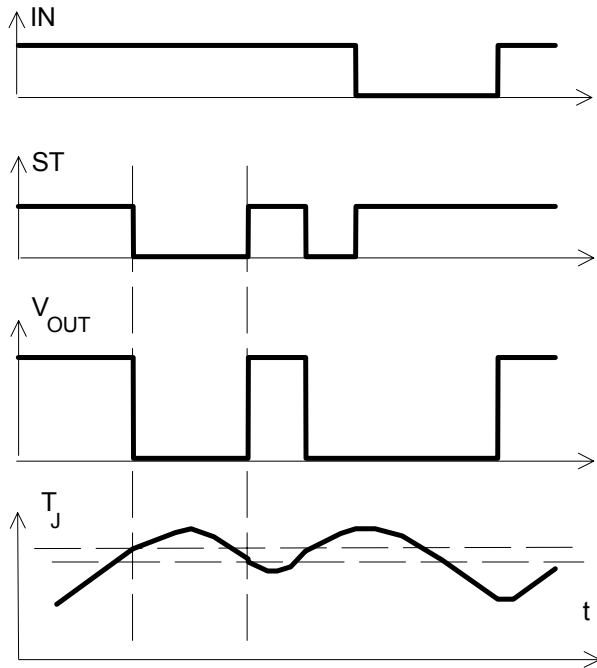
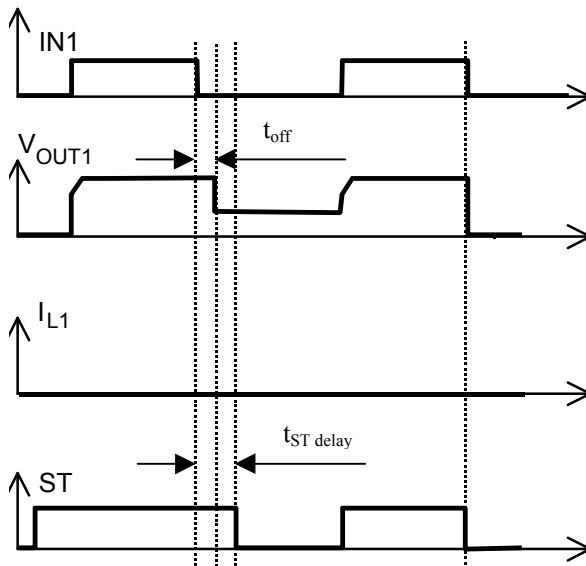


Figure 5a: Open load: detection in OFF-state, turn on/off to open load



$t_{ST\ delay}^* = 500\mu s$

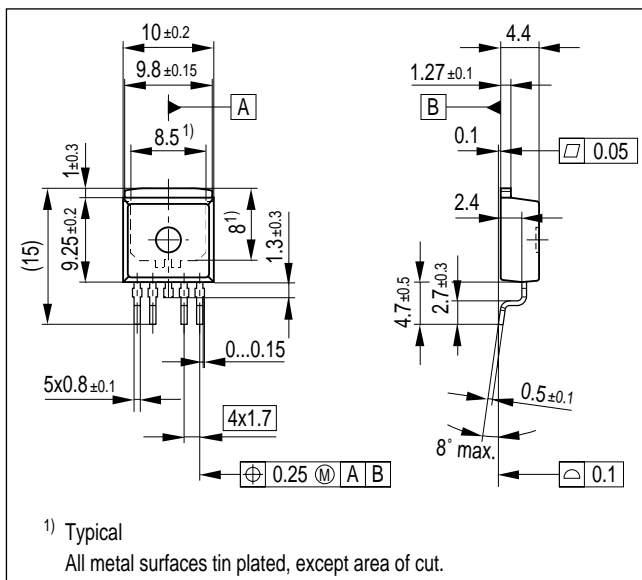
Open load detection requires an external pull up resistor between OUT and V_{BB}

Package and Ordering Code

All dimensions in mm

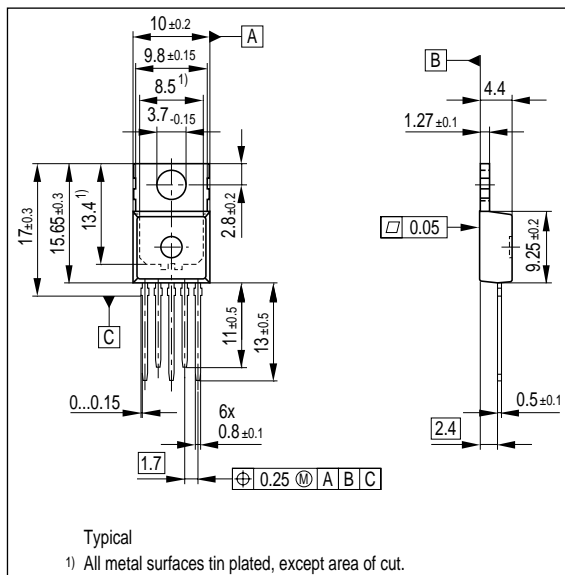
SMD: P-TO263-5-2 (tape&reel)

| | |
|----------------|--------------|
| Sales code | BTS441R G |
| Ordering code: | Q67060-S6118 |



Straight: P-TO220-5-12

| | |
|----------------|--------------|
| Sales code | BTS441R S |
| Ordering code: | Q67060-S6119 |



Published by
Infineon Technologies AG,
St.-Martin-Strasse 53,
D-81669 München
 © Infineon Technologies AG 2001
All Rights Reserved.

Attention please!

The information herein is given to describe certain components and shall not be considered as a guarantee of characteristics.

Terms of delivery and rights to technical change reserved.

We hereby disclaim any and all warranties, including but not limited to warranties of non-infringement, regarding circuits, descriptions and charts stated herein.

Infineon Technologies is an approved CECC manufacturer.

Information

For further information on technology, delivery terms and conditions and prices please contact your nearest Infineon Technologies Office in Germany or our Infineon Technologies Representatives worldwide (see address list).

Warnings

Due to technical requirements components may contain dangerous substances. For information on the types in question please contact your nearest Infineon Technologies Office.

Infineon Technologies Components may only be used in life-support devices or systems with the express written approval of Infineon Technologies, if a failure of such components can reasonably be expected to cause the failure of that life-support device or system, or to affect the safety or effectiveness of that device or system. Life support devices or systems are intended to be implanted in the human body, or to support and/or maintain and sustain and/or protect human life. If they fail, it is reasonable to assume that the health of the user or other persons may be endangered.