

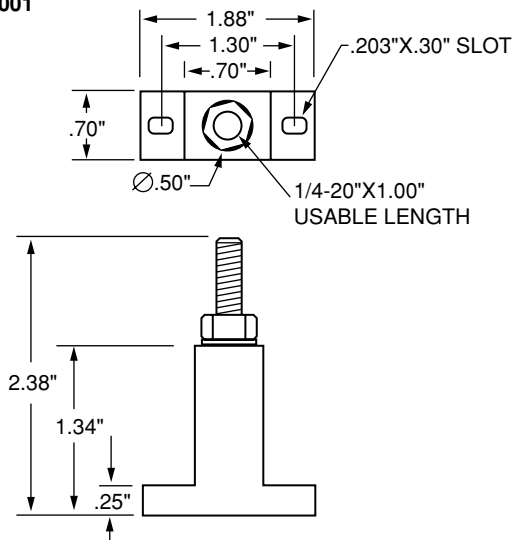
Modular-designed Semiconductor fuse blocks are designed to accommodate a wide range of Semiconductor fuses, with a maximum diameter of 3". This modular design greatly reduces inventory requirements. They are sold in pairs and are constructed of molded phenolic, with plated steel studs.

LSCR001

Semiconductor fuse block selection guide

Fuse Series	Ampere Rating
L15S	70 – 400
L25S	35 – 60
L25S	70 – 200
L50S	35 – 60
L50S	70 – 100
L50S	125 – 200
L60S	35 – 60
L60S	70 – 100
L60S	125 – 200
L70S	35 – 60
L70S	70 – 100
KLC	1 – 30
KLC	35 – 60

LSCR001



SPECIFICATIONS

Voltage rating: LSCR001: Accepts fuses 1" diameter or less at **600V**. Also accepts 1 3/16" diameter fuses at **700 – 1000V**.

LSCR002: Accepts fuses up to 3" diameter at **1000V**.

Ampere ratings: LSCR001: 1 – 400 ampere capacity.

LSCR002: 70 – 800 ampere capacity.

Approvals: UL Recognized (File No. E14721)

Stud Size: LSCR001: 1/4 - 20 thread (Torque: 61 In. LBS.)
LSCR002: 3/8 - 16 thread (Torque: 192 In. LBS.)

Base: Molded phenolic. 150° C temperature rating.

Terminal construction: Plated steel. Supplied with nut and Belleville washer.

RECOMMENDED FUSES

Semiconductor fuses. See tables below.

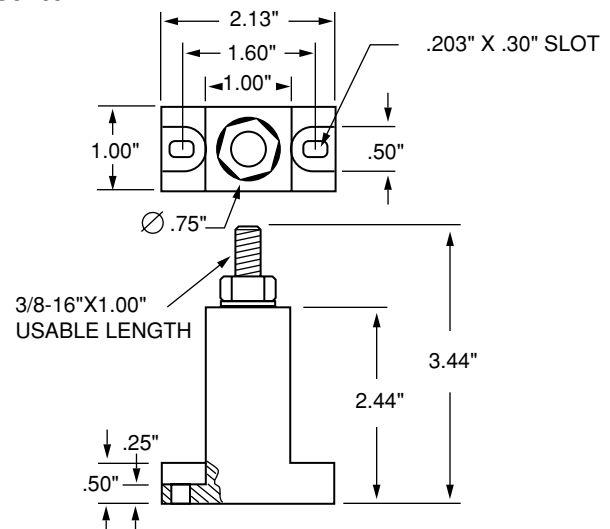
LSCR002

Semiconductor fuse block selection guide

Fuse Series	Ampere Rating
L15S	500 – 800
L25S	225 – 700
L25S	800
L50S	225 – 400
L50S	450 – 600
L50S	700 – 800
L60S	225 – 400
L60S	450 – 600
L60S	700 – 800
L70S	125 – 200
L70S	225 – 400
L70S	450 – 800
KLC	70 – 100
KLC	125 – 200
KLC	225 – 400
KLC	450 – 800

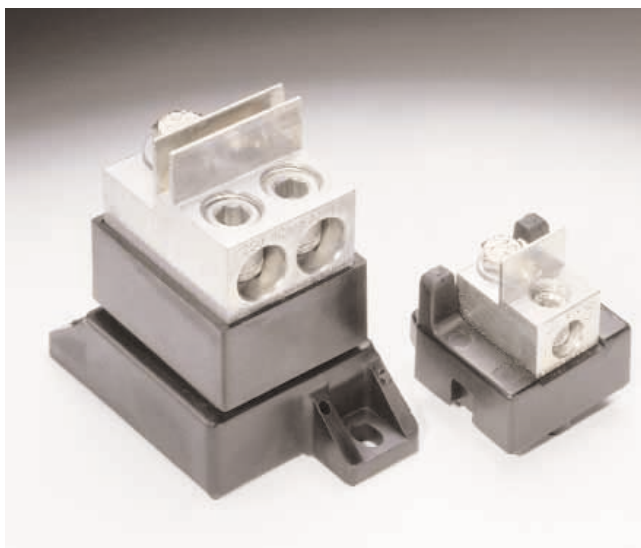
Blocks
And
Holders

LSCR002



Semiconductor Fuse Blocks

NEW



Littelfuse's 1LS series modular style semiconductor fuse blocks accommodate a wide range of semiconductor fuses. Blocks are provided in pairs with fuse mounting hardware.

- 2-piece modular design
- General purpose phenolic base
- Tin plated aluminum box lugs
- Dove-tailed interlocking feature (1LS101 only)
- Hex-head bolts and Belleville washers provided

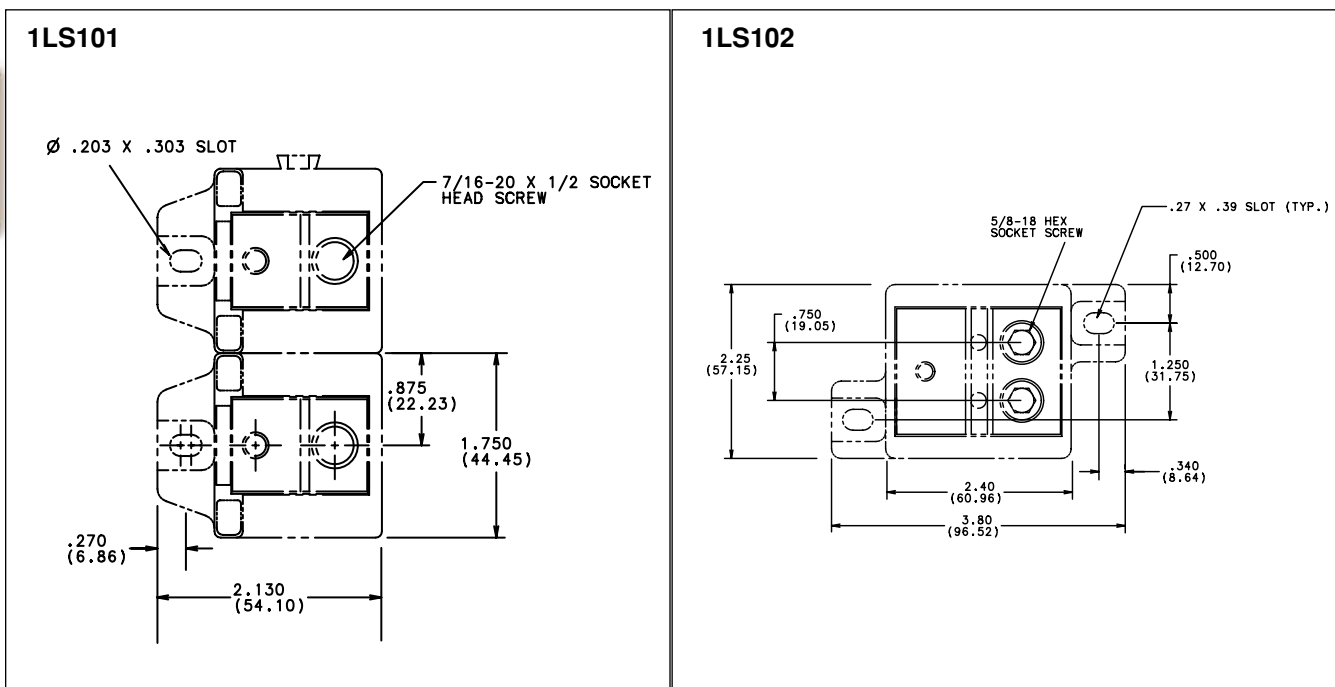
SPECIFICATIONS

Voltage Rating: 600 Volts
Ampere Range: 1 – 600 amperes
Approvals: UL Recognized under the components program
Insulator Base: 150° C general purpose phenolic
Box Lug Terminal: Tin plated aluminum

ORDERING INFORMATION

Littelfuse Catalog No.	Ampere Rating	Wire Range	Torque Rating	Approvals
1LS101	100A	#2/0 - 14 CU/AL	120 IN. LBS.	UL Recognized
1LS102	400A	250MCM - #6 CU/AL	275 IN. LBS.	UL Recognized
1LS103	400A	250MCM - #6 CU/AL	275 IN. LBS.	UL Recognized
1LS104	600A	500MCM - #6 CU/AL	375 IN. LBS.	UL Recognized
1LS108	400A	250MCM - #6 CU/AL	275 IN. LBS.	Self-Certified
1LS109	400A	250MCM - #6 CU/AL	275 IN. LBS.	Self-Certified
1LS110	400A	250MCM - #6 CU/AL	275 IN. LBS.	Self-Certified

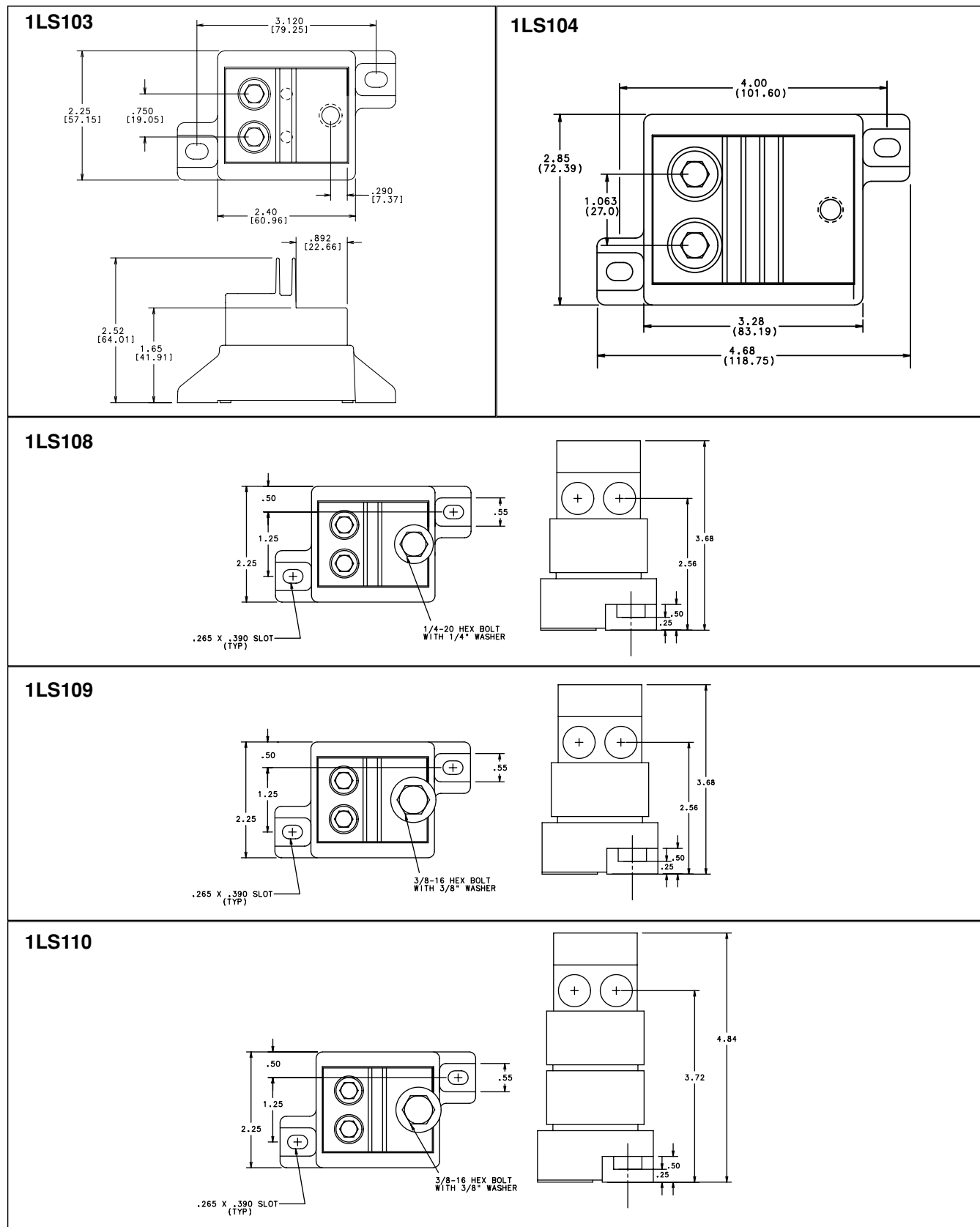
DIMENSIONS



Dimensions for reference only.

Semiconductor Fuse Blocks

DIMENSIONS



Dimensions for reference only.

