

50-150 Watts

AV60C

Total Power: 50-150 Watts
 Input Voltages: 48V
 No. of Outputs: Single



Electrical Specs

Input

Input range 36-75 VDC
 Input Surge 100V / 100ms
 Efficiency 83%@5V

Output

Load regulation 0.2% max
 Line regulation 0.5% max
 Ripple and noise 150mV max (5V)
 250mV max (15V)
 Output voltage adjust range $\pm 10\%$ of nominal output
 Transient Response (15V) 1% max deviation with
 50% to 75% full load
 200 μ S (max) recovery
 (5V) 5% max deviation with
 50% to 75% full load
 250 μ S (max) recovery

Control

Voltage Adjust 90 to 110%
 Enable TTL compatible
 (positive & negative enable options)

Special Features

- Industry standard pin-out & performance 100°C baseplate temperature (no derating)
- Positive and negative enable function
- Low output ripple and noise
- Remote sense compensation
- Fixed frequency switching (300 kHz)

Environmental

Operating case temperature range:
 -40°C to +100°C
 Storage temperature: -55°C to +125°C
 MTBF: >2 million hours

Safety

UL UL1950
 CSA CSA22.2-950
 TUV EN60950

AMERICAS

5810 Van Allen Way
 Carlsbad, CA 92008
 Telephone: 760-930-4600
 Facsimile: 760-930-0698

EUROPE

Astec House, Waterfront Business Park
 Merry Hill, Dudley
 West Midlands, DY5 1LX, UK
 Telephone: 44 (1384) 842-211
 Facsimile: 44 (1384) 843-355

ASIA

Units 2111-2116, Level 21
 Tower1, Metroplaza
 223, Hing Fong Road
 Fwai Fong, New Territories
 Hong Kong
 Telephone: 852-2437-9662
 Facsimile: 852-2402-4426



AV60C

Ordering Information

Input Voltage	Output Voltage	Efficiency	Model Number
36-72V	3.3V @ 10A	81%	AV60C-048L-033F10
36-72V	5.0V @ 10A	84%	AV60C-048L-050F10
36-72V	12V @ 4.0A	85%	AV60C-048L-120F04
36-72V	15V @ 3.33A	86%	AV60C-048L-150F03
36-72V	3.3V @ 15A	81%	AV60C-048L-033F15
36-72V	5.0V @ 15A	85%	AV60C-048L-050F15
36-72V	12V @ 6.0A	86%	AV60C-048L-120F06
36-72V	15V @ 5.0A	87%	AV60C-048L-150F05
36-72V	3.3V @ 20A	81%	AV60C-048L-033F20
36-72V	5.0V @ 20A	85%	AV60C-048L-050F20
36-72V	12V @ 8.0A	87%	AV60C-048L-120F08
36-72V	15V @ 6.7A	87%	AV60C-048L-150F06
36-72V	3.3V @ 30A	81%	AV60C-048L-033F30
36-72V	5.0V @ 30A	85%	AV60C-048L-050F30
36-72V	12V @ 12.5A	87%	AV60C-048L-120F12
36-72V	15V @ 10.0A	87%	AV60C-048L-150F10

NOTES:

Enable Function

"N" = negative logic enable (without "N" = positive enable)

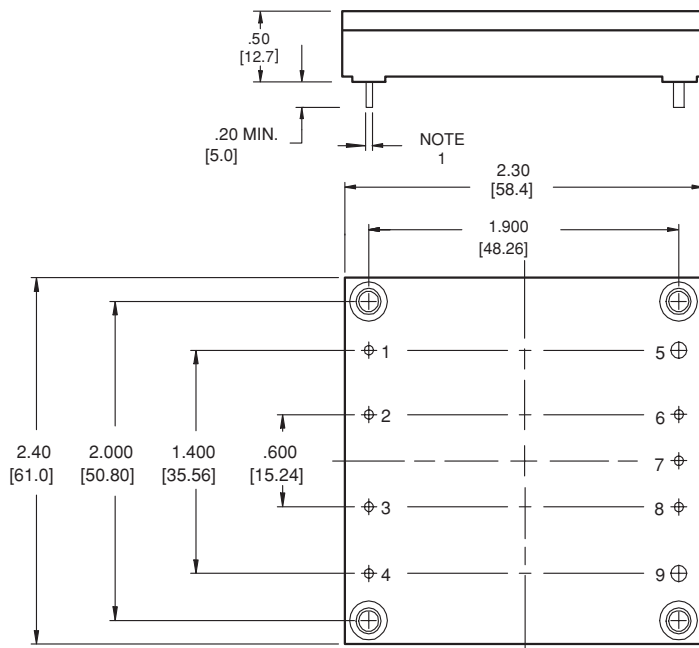
Pin Assignments

Single Output

1. -Vin
2. Case
3. Enable (on/off)
4. +Vin
5. -5V Rtn
6. - Sense
7. Trim
8. + Sense
9. +5V Out

Notes:

1. All specifications are typical at nominal line, full load, and 25°C unless otherwise noted.
2. All specifications subject to change without notice. Mechanical drawings are for reference only.
3. Please refer to the Technical Reference Notes for more information.
4. Warranty: 1 yr



Mounting Inserts
 M3 X .5 (4 places)

BOTTOM VIEW