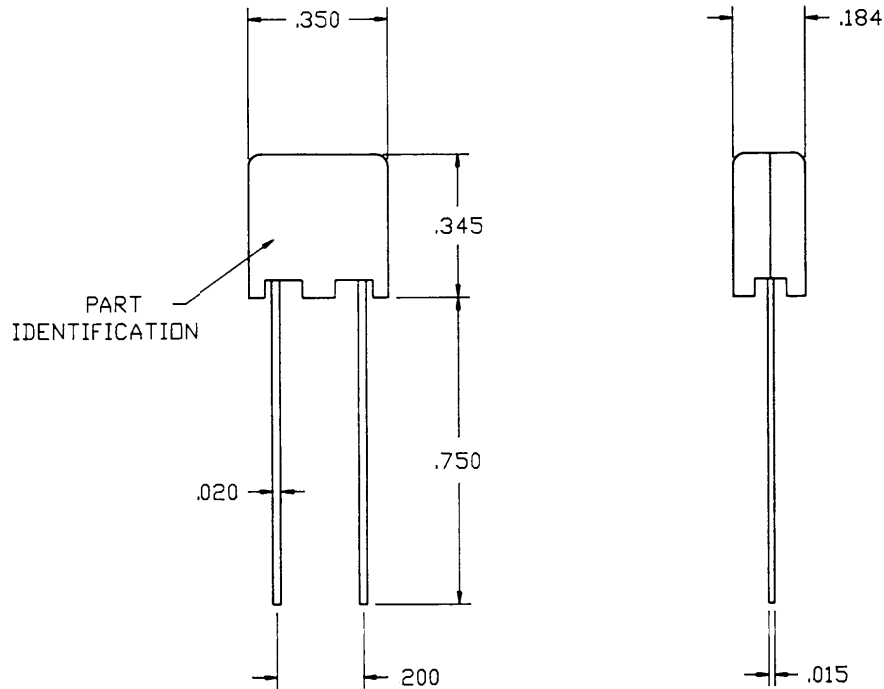


LTR.	DESCRIPTION	DATE	APP'D.
1	PRELIMINARY RELEASE PCD# 044 S.P.V.	2/18/88	<i>LDJ</i>



SPECIFICATIONS:
INTERUPTING AND VOLTAGE RATINGS:
10,000 A @ 125V _{ac}
TIME-CURRENT CHARACTERISTICS:
CARRY 100% OF RATING FOR FOUR HOURS MINIMUM. OPEN AT 200% OF RATING IN TEN SECONDS MAXIMUM. (NON-TIME-DELAY).
AGENCY APPROVALS:
U.L. RECOGNIZED; FILE E19180 CSA CERTIFIED; FILE 42731, CLASS 1421-01
COLD RESISTANCE DATA (10% RATED CURRENT) NOMINAL VALUE:
0.026 Ω

COPY

NOTES:

1. BUSS #PCD5-125 OR APPROVED EQUIVALENT.

VICOR ANDOVER, MA. U.S.A.

DRAWN:	2/88	FUSE, 5AMP, 125V, PCD5	
CHECKED: <i>150</i>	3/88		
APPD:			
ALL DIMENSIONS ARE IN INCHES (MILLIMETERS) DO NOT SCALE DRAWING	TOLERANCES (EXCEPT AS NOTED) .XX ± .01 .XXX ± .006 FRACT. ± 1/16 ANGLES ± 1.0	DRAWING NO.	REV.
	SCALE: NONE	01526	1
NEXT ASST:	SCALE: NONE	SHEET 1 OF 1	