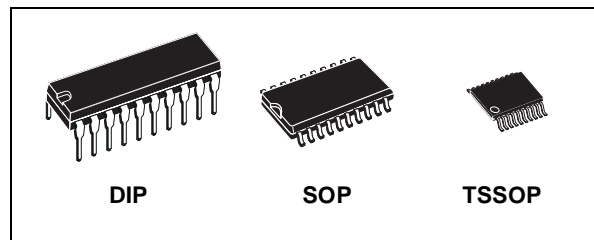




M74HC690

DECADE COUNTER/REGISTER (3-STATE)

- HIGH SPEED:
 $f_{MAX} = 53 \text{ MHz (TYP.) at } V_{CC} = 6V$
- LOW POWER DISSIPATION:
 $I_{CC} = 4\mu\text{A (MAX.) at } T_A = 25^\circ\text{C}$
- HIGH NOISE IMMUNITY:
 $V_{NIH} = V_{NIL} = 28 \% V_{CC} \text{ (MIN.)}$
- SYMMETRICAL OUTPUT IMPEDANCE:
 $|I_{OH}| = I_{OL} = 6\text{mA (MIN) for } Q_A \text{ to } Q_D \text{ OUTPUT}$
 $|I_{OH}| = I_{OL} = 4\text{mA (MIN) for RCO OUTPUT}$
- BALANCED PROPAGATION DELAYS:
 $t_{PLH} \approx t_{PHL}$
- WIDE OPERATING VOLTAGE RANGE:
 $V_{CC} \text{ (OPR)} = 2V \text{ to } 6V$
- PIN AND FUNCTION COMPATIBLE WITH
 74 SERIES 690



ORDER CODES

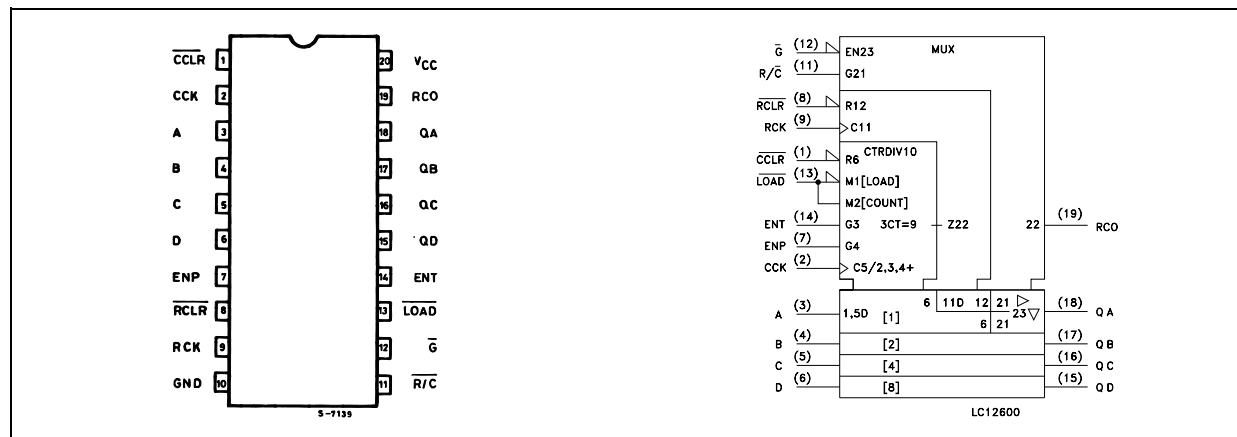
PACKAGE	TUBE	T & R
DIP	M74HC690B1R	
SOP	M74HC690M1R	M74HC690RM13TR
TSSOP		M74HC690TTR

DESCRIPTION

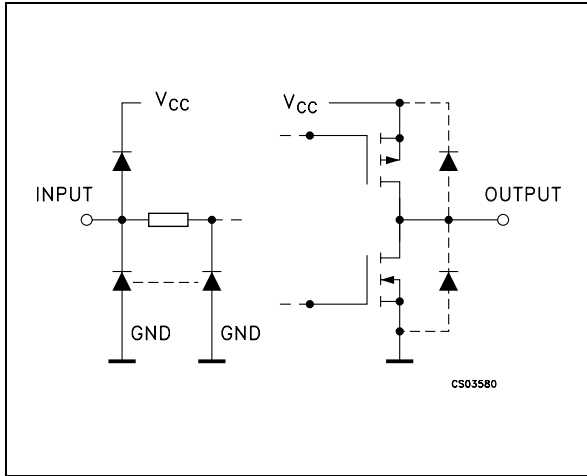
The M74HC690 is an high speed CMOS DECADE/COUNTER REGISTER (3 STATE) fabricated with silicon gate C²MOS technology. The internal circuit is composed of 3 stages including buffer output, which offers high noise immunity and stable output. This device incorporates a synchronous counter, four bit D-type register, and quadruple two-line to one-line multiplexers with three-state outputs in a single 20 pin package. The counter can be programmed from the data inputs and have enable P and enable T inputs and a ripple carry output for easy expansion. The register/counter select input, R/C, selects the counter when low or the register when high for the three state-outputs, QA, QB, QC, and

QD. If the LOAD input ($\overline{\text{LOAD}}$) is held "L" DATA input (A - D) are loaded into the internal counter at positive edge of counter clock input (CCK). In the counter mode, internal counter counts up at the positive edge of the counter clock. If the counter clear inputs ($\overline{\text{CCLR}}$) is held "L", the internal counter is cleared asynchronously to the counter clock. The internal counter's outputs are stored in the output register at the positive edge of the register clock (RCK). If the register clear input (RCLR) is held "L" the register is cleared asynchronously to register clock. All inputs are equipped with protection circuits against static discharge and transient excess voltage.

PIN CONNECTION AND IEC LOGIC SYMBOLS



INPUT AND OUTPUT EQUIVALENT CIRCUIT



PIN DESCRIPTION

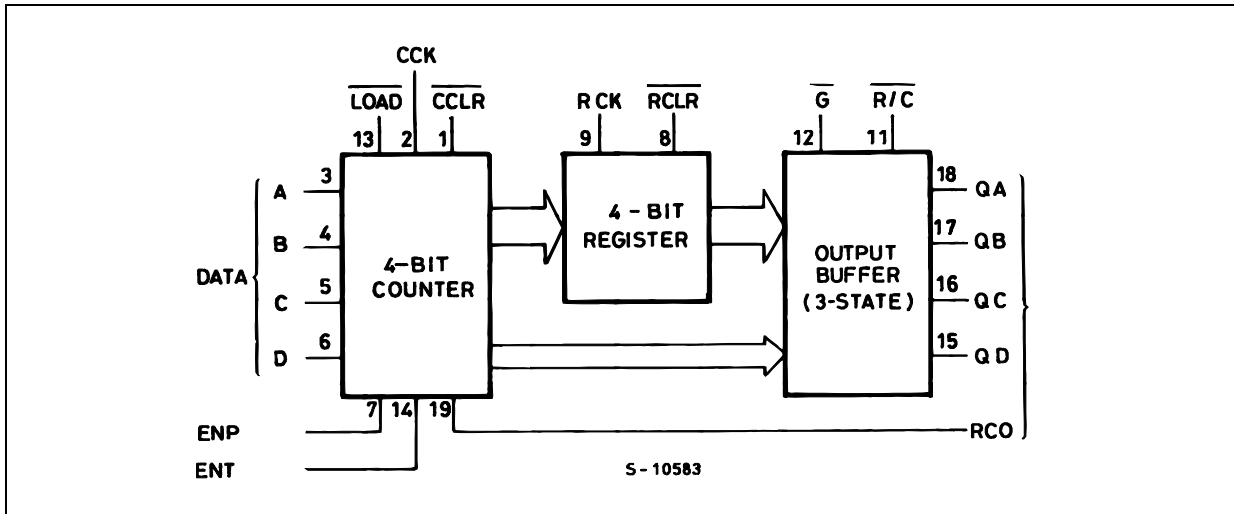
PIN No	SYMBOL	NAME AND FUNCTION
3 to 6	A to D	Data Inputs
7, 14	ENP, ENT	Enable Inputs
15 to 18	QA to QD	Data Outputs
1	CCLR	Counter Clear (Active LOW)
2	CCK	Counter Clock
11	$\overline{R/C}$	Counter/Register Select
8	RCLR	Register Clear (Active LOW)
9	RCK	Register Clock
19	RCO	Ripple Counter Output
10	GND	Ground (0V)
20	V _{CC}	Positive Supply Voltage

TRUTH TABLE

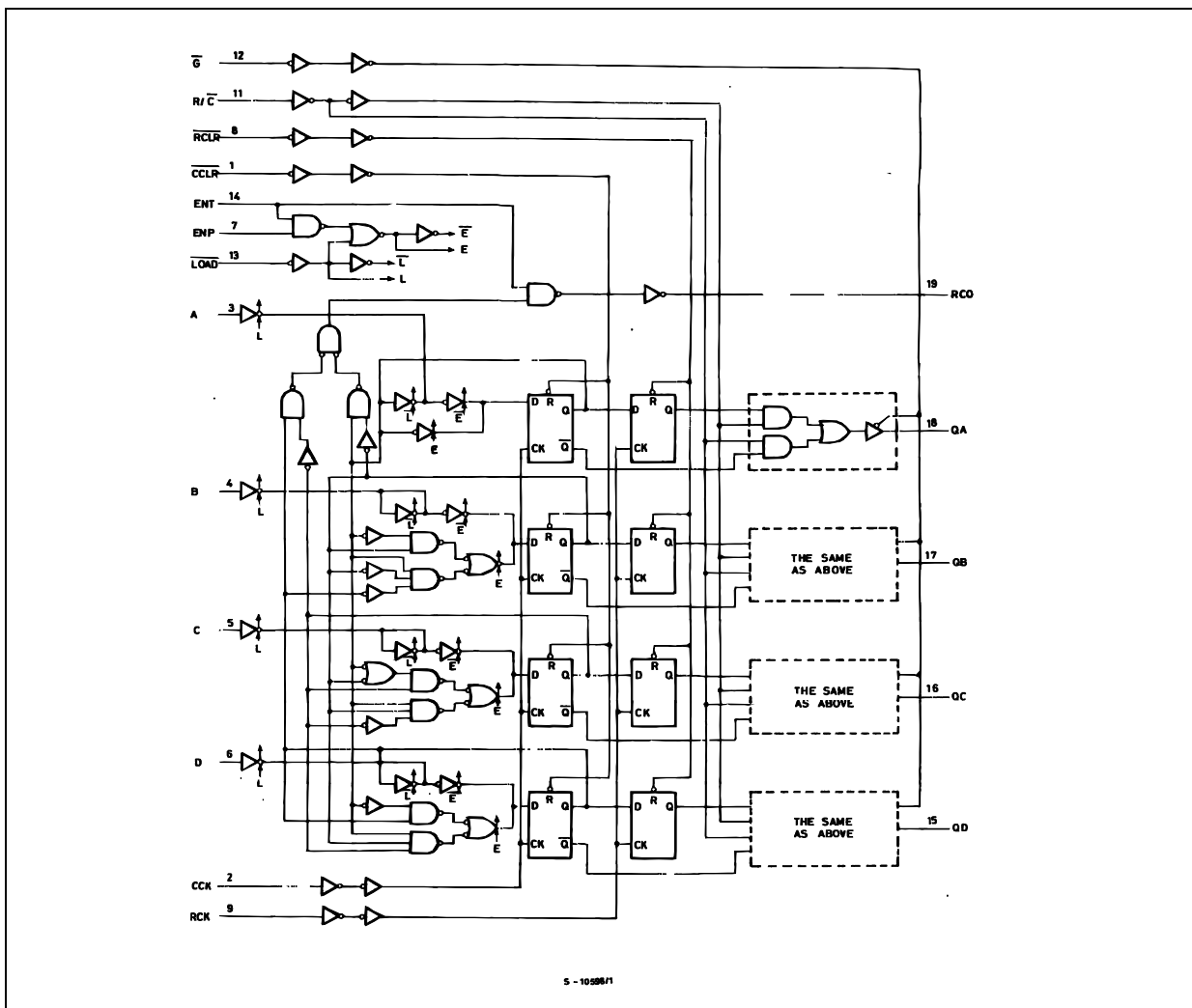
INPUTS									OUTPUTS				FUNCTION
\overline{CCLR}	\overline{LOAD}	ENP	ENT	CCK	\overline{RCLR}	RCK	$\overline{R/C}$	\overline{G}	QA	QB	QC	QD	
X	X	X	X	X	X	X	X	X	Z	Z	Z	Z	HIGH IMPEDANCE
L	X	X	X	X	X	X	L	L	L	L	L	L	CLEAR COUNTER
H	L	X	X		X	X	L	L	a	b	c	d	LOAD COUNTER
H	H	L	X		X	X	L	L	NO CHANGE				NO COUNT
H	H	X	L		X	X	L	L	NO CHANGE				NO COUNT
H	H	H	H		X	X	L	L	COUNT UP				COUNT UP
H	X	X	X		X	X	L	L	NO CHANGE				NO COUNT
X	X	X	X	X	L	X	H	L	L	L	L	L	CLEAR REGISTER
X	X	X	X	X	H		H	L	a'	b'	c'	d'	LOAD REGISTER
X	X	X	X	X	H		H	L	NO CHANGE				NO LOAD

X : Don't Care
 Z : High Impedance
 a-d : The level of steady state inputs at inputs A through D respectively.
 a'-d' : The level of steady state outputs at internal counter outputs a' through qd' respectively
 RCO = QA · QD · ENT

BLOCK DIAGRAM



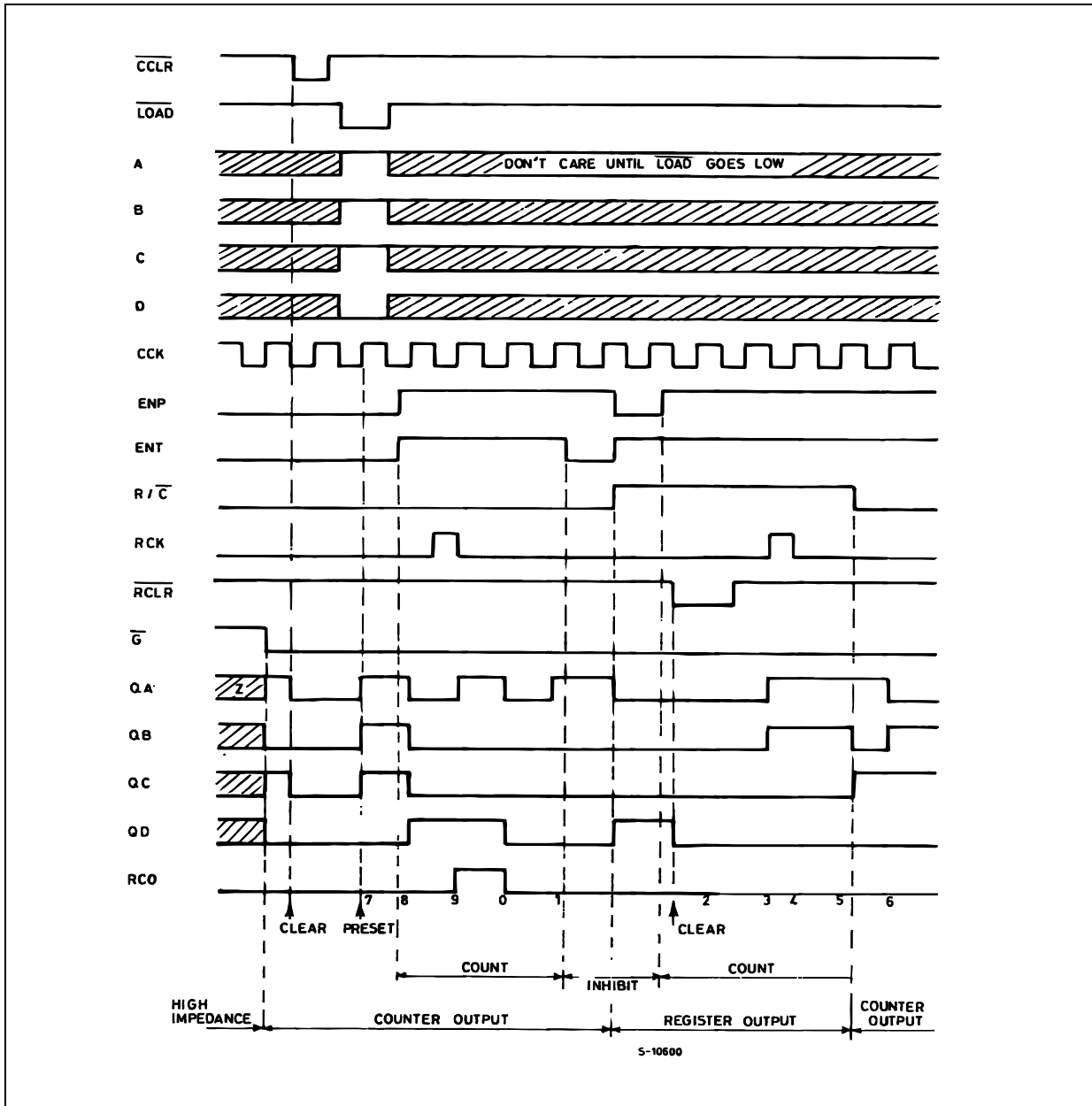
LOGIC DIAGRAM



This logic diagram has not been used to estimate propagation delays



TIMING CHART



ABSOLUTE MAXIMUM RATINGS

Symbol	Parameter	Value	Unit
V_{CC}	Supply Voltage	-0.5 to +7	V
V_I	DC Input Voltage	-0.5 to $V_{CC} + 0.5$	V
V_O	DC Output Voltage	-0.5 to $V_{CC} + 0.5$	V
I_{IK}	DC Input Diode Current	± 20	mA
I_{OK}	DC Output Diode Current	± 20	mA
I_O	DC Output Source Sink Current per Output PIN (RCO) (QA to QD)	± 25 ± 35	mA
I_{CC} or I_{GND}	DC V_{CC} or Ground Current	± 70	mA
P_D	Power Dissipation	500(*)	mW
T_{stg}	Storage Temperature	-65 to +150	°C
T_L	Lead Temperature (10 sec)	300	°C

Absolute Maximum Ratings are those values beyond which damage to the device may occur. Functional operation under these conditions is not implied

(*) 500mW at 65 °C; derate to 300mW by 10mW/°C from 65°C to 85°C

RECOMMENDED OPERATING CONDITIONS

Symbol	Parameter	Value	Unit	
V_{CC}	Supply Voltage	2 to 6	V	
V_I	Input Voltage	0 to V_{CC}	V	
V_O	Output Voltage	0 to V_{CC}	V	
T_{op}	Operating Temperature	-55 to 125	°C	
t_r, t_f	Input Rise and Fall Time	$V_{CC} = 2.0V$	0 to 1000	ns
		$V_{CC} = 4.5V$	0 to 500	ns
		$V_{CC} = 6.0V$	0 to 400	ns

DC SPECIFICATIONS

Symbol	Parameter	Test Condition		Value						Unit	
		V _{CC} (V)		T _A = 25°C			-40 to 85°C		-55 to 125°C		
				Min.	Typ.	Max.	Min.	Max.	Min.		Max.
V _{IH}	High Level Input Voltage	2.0		1.5			1.5		1.5		V
		4.5		3.15			3.15		3.15		
		6.0		4.2			4.2		4.2		
V _{IL}	Low Level Input Voltage	2.0				0.5		0.5		0.5	V
		4.5				1.35		1.35		1.35	
		6.0				1.8		1.8		1.8	
V _{OH}	High Level Output Voltage (QA - QD)	2.0	I _O =-20 μA	1.9	2.0		1.9		1.9		V
		4.5	I _O =-20 μA	4.4	4.5		4.4		4.4		
		6.0	I _O =-20 μA	5.9	6.0		5.9		5.9		
		4.5	I _O =-6.0 mA	4.18	4.31		4.13		4.10		
		6.0	I _O =-7.8 mA	5.68	5.8		5.63		5.60		
V _{OH}	High Level Output Voltage (RCO)	2.0	I _O =-20 μA	1.9	2.0		1.9		1.9		V
		4.5	I _O =-20 μA	4.4	4.5		4.4		4.4		
		6.0	I _O =-20 μA	5.9	6.0		5.9		5.9		
		4.5	I _O =-4.0 mA	4.18	4.31		4.13		4.10		
		6.0	I _O =-5.2 mA	5.68	5.8		5.63		5.60		
V _{OL}	Low Level Output Voltage (QA - QD)	2.0	I _O =20 μA		0.0	0.1		0.1		0.1	V
		4.5	I _O =20 μA		0.0	0.1		0.1		0.1	
		6.0	I _O =20 μA		0.0	0.1		0.1		0.1	
		4.5	I _O =6.0 mA		0.17	0.26		0.37		0.40	
		6.0	I _O =7.8 mA		0.18	0.26		0.37		0.40	
V _{OL}	Low Level Output Voltage (RCO)	2.0	I _O =20 μA		0.0	0.1		0.1		0.1	V
		4.5	I _O =20 μA		0.0	0.1		0.1		0.1	
		6.0	I _O =20 μA		0.0	0.1		0.1		0.1	
		4.5	I _O =4.0 mA		0.17	0.26		0.37		0.40	
		6.0	I _O =5.2 mA		0.18	0.26		0.37		0.40	
I _I	Input Leakage Current	6.0	V _I = V _{CC} or GND			± 0.1		± 1		± 1	μA
I _{OZ}	High Impedance Output Leakage Current	6.0	V _I = V _{IH} or V _{IL} V _O = V _{CC} or GND			± 0.5		± 5		± 10	μA
I _{CC}	Quiescent Supply Current	6.0	V _I = V _{CC} or GND			4		40		80	μA

AC ELECTRICAL CHARACTERISTICS ($C_L = 50 \text{ pF}$, Input $t_r = t_f = 6 \text{ ns}$)

Symbol	Parameter	Test Condition			Value						Unit	
		V_{CC} (V)	C_L (pF)		$T_A = 25^\circ\text{C}$			$-40 \text{ to } 85^\circ\text{C}$		$-55 \text{ to } 125^\circ\text{C}$		
					Min.	Typ.	Max.	Min.	Max.	Min.		Max.
$t_{TLH} \ t_{THL}$	Output Transition Time (Q)	2.0	50			25	60		75		90	ns
		4.5			7	12		15		19		
		6.0			6	10		13		15		
$t_{TLH} \ t_{THL}$	Output Transition Time (RCO)	2.0	50			30	75		95		115	ns
		4.5			8	15		19		23		
		6.0			7	13		16		20		
$t_{PLH} \ t_{PHL}$	Propagation Delay Time (CCK - Q)	2.0	50			82	205		255		310	ns
		4.5			26	41		51		62		
		6.0			22	35		43		53		
		2.0	150			95	235		295		255	
		4.5			30	47		59		71		
6.0		26	40		50		60					
$t_{PLH} \ t_{PHL}$	Propagation Delay Time (RCK - Q)	2.0	50			86	210		265		315	ns
		4.5			27	42		53		63		
		6.0			23	36		45		54		
		2.0	150			99	240		300		360	
		4.5			31	48		60		72		
6.0		26	41		51		61					
$t_{PLH} \ t_{PHL}$	Propagation Delay Time (CCK - RCO)	2.0	50			65	165		205		250	ns
		4.5			21	33		41		50		
		6.0			18	28		35		43		
$t_{PLH} \ t_{PHL}$	Propagation Delay Time (R/C - Q)	2.0	50			59	145		180		220	ns
		4.5			18	29		36		44		
		6.0			15	25		31		37		
		2.0	150			72	175		220		265	
		4.5			22	35		44		53		
6.0		19	30		37		45					
$t_{PLH} \ t_{PHL}$	Propagation Delay Time (ENT - RCO)	2.0	50			36	100		125		150	ns
		4.5			12	20		25		30		
		6.0			10	17		21		26		
t_{PHL}	Propagation Delay Time (CCLR - Q)	2.0	50			91	225		280		340	ns
		4.5			29	45		56		68		
		6.0			25	38		48		58		
		2.0	150			104	255		320		385	
		4.5			33	51		64		77		
6.0		28	43		54		65					
t_{PHL}	Propagation Delay Time (RCLR - Q)	2.0	50			86	210		265		315	ns
		4.5			27	42		53		63		
		6.0			23	36		45		54		
		2.0	150			100	240		300		360	
		4.5			31	48		60		72		
6.0		26	41		51		61					
t_{PHL}	Propagation Delay Time (CCLR - RCO)	2.0	50			70	175		220		265	ns
		4.5			22	35		44		53		
		6.0			19	30		37		45		

M74HC690

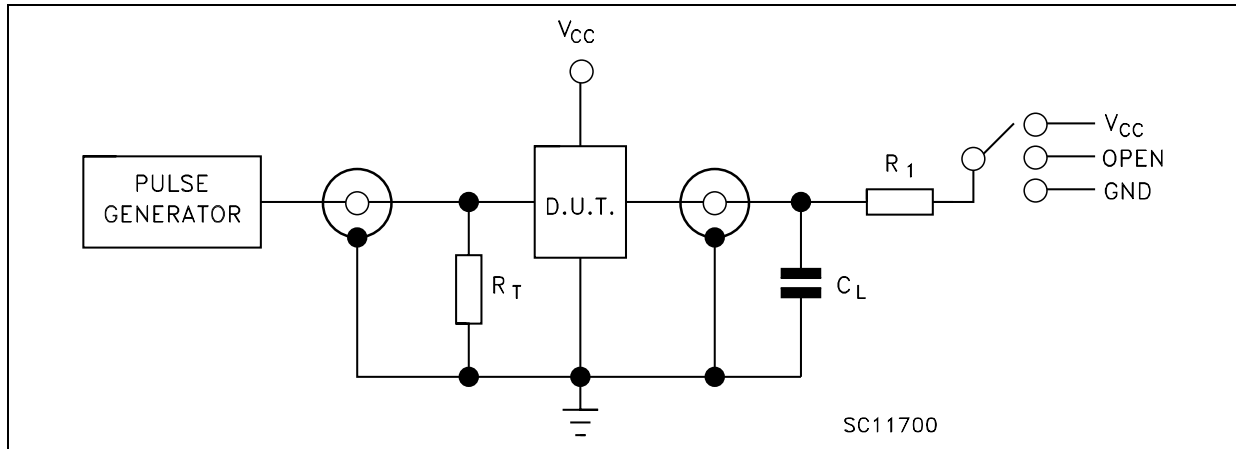
Symbol	Parameter	Test Condition			Value						Unit	
		V _{CC} (V)	C _L (pF)		T _A = 25°C			-40 to 85°C		-55 to 125°C		
					Min.	Typ.	Max.	Min.	Max.	Min.		Max.
f _{MAX}	Maximum Clock Frequency	2.0	50		4.4	12		3.6		3		MHz
		4.5			22	45		18		15		
		6.0			26	53		21		18		
t _{PZL} t _{PZH}	High Impedance Output Enable Time	2.0	50	R _L = 1 KΩ		48	120		150		180	ns
		4.5				15	24		30		36	
		6.0				13	20		26		31	
		2.0	150	R _L = 1 KΩ		61	150		190		225	ns
		4.5				19	30		38		45	
		6.0				17	26		32		38	
t _{PLZ} t _{PHZ}	High Impedance Output Disable Time	2.0	50	R _L = 1 KΩ		32	145		180		220	ns
		4.5				15	29		36		44	
		6.0				13	25		31		37	
t _{W(L)} t _{W(H)}	Minimum Pulse Width (CCK, RCK)	2.0	50			28	75		95		110	ns
		4.5				7	15		19		22	
		6.0				6	13		16		19	
t _{W(L)}	Minimum Pulse Width (CCLR - RCLR)	2.0	50			40	75		95		110	ns
		4.5				8	15		19		22	
		6.0				7	13		16		19	
t _s	Minimum Set-up Time (LOAD, ENT, ENP)	2.0	50			68	150		190		220	ns
		4.5				17	30		38		44	
		6.0				14	26		32		37	
t _s	Minimum Set-up Time (A, B, C, D)	2.0	50			44	100		125		145	ns
		4.5				11	20		25		29	
		6.0				9	17		21		25	
t _s	Minimum Set-up Time (CCK - RCK)	2.0	50			48	125		155		180	ns
		4.5				12	25		31		36	
		6.0				10	21		26		31	
t _h	Minimum Hold Time	2.0	50				0		0		0	ns
		4.5					0		0		0	
		6.0					0		0		0	
t _{REM}	Minimum Removal Time	2.0	50				25		30		40	ns
		4.5					5		6		8	
		6.0					5		5		7	

CAPACITIVE CHARACTERISTICS

Symbol	Parameter	Test Condition			Value						Unit	
		V _{CC} (V)			T _A = 25°C			-40 to 85°C		-55 to 125°C		
					Min.	Typ.	Max.	Min.	Max.	Min.		Max.
C _{IN}	Input Capacitance					5	10		10		10	pF
C _{PD}	Power Dissipation Capacitance (note 1)					70						pF

1) C_{PD} is defined as the value of the IC's internal equivalent capacitance which is calculated from the operating current consumption without load. (Refer to Test Circuit). Average operating current can be obtained by the following equation. $I_{CC(oper)} = C_{PD} \times V_{CC} \times f_{IN} + I_{CC}$

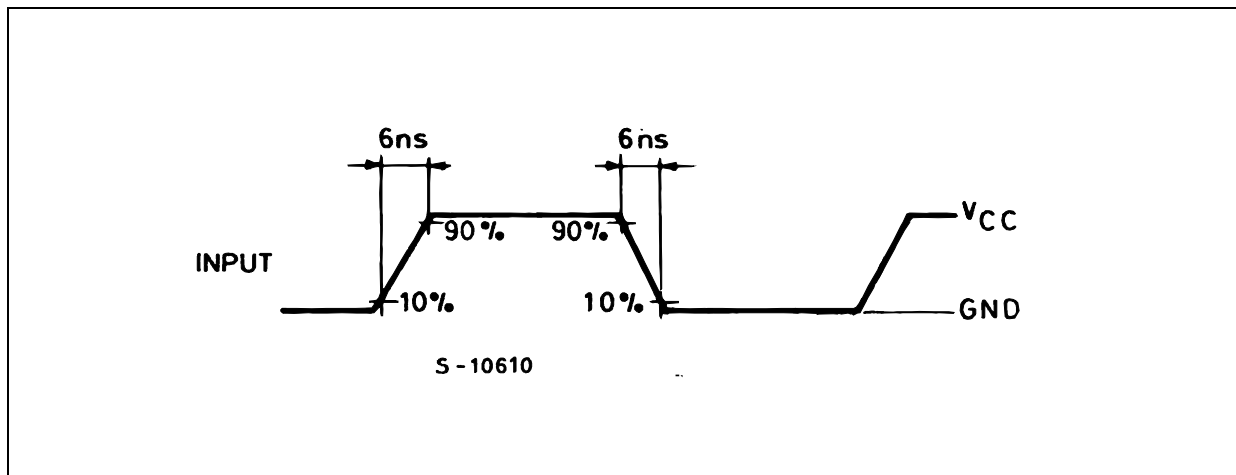
TEST CIRCUIT



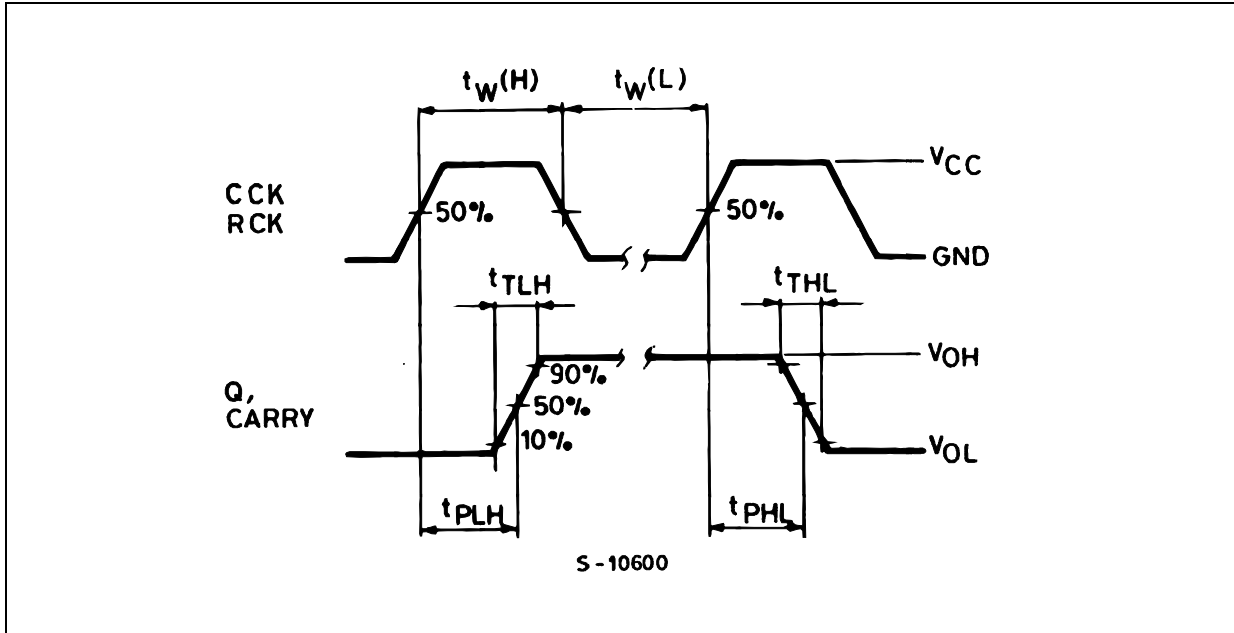
TEST	SWITCH
t_{PLH}, t_{PHL}	Open
t_{PZL}, t_{PLZ}	V_{CC}
t_{PZH}, t_{PHZ}	GND

$C_L = 50\text{pF}/150\text{pF}$ or equivalent (includes jig and probe capacitance)
 $R_1 = 1\text{K}\Omega$ or equivalent
 $R_T = Z_{OUT}$ of pulse generator (typically 50Ω)

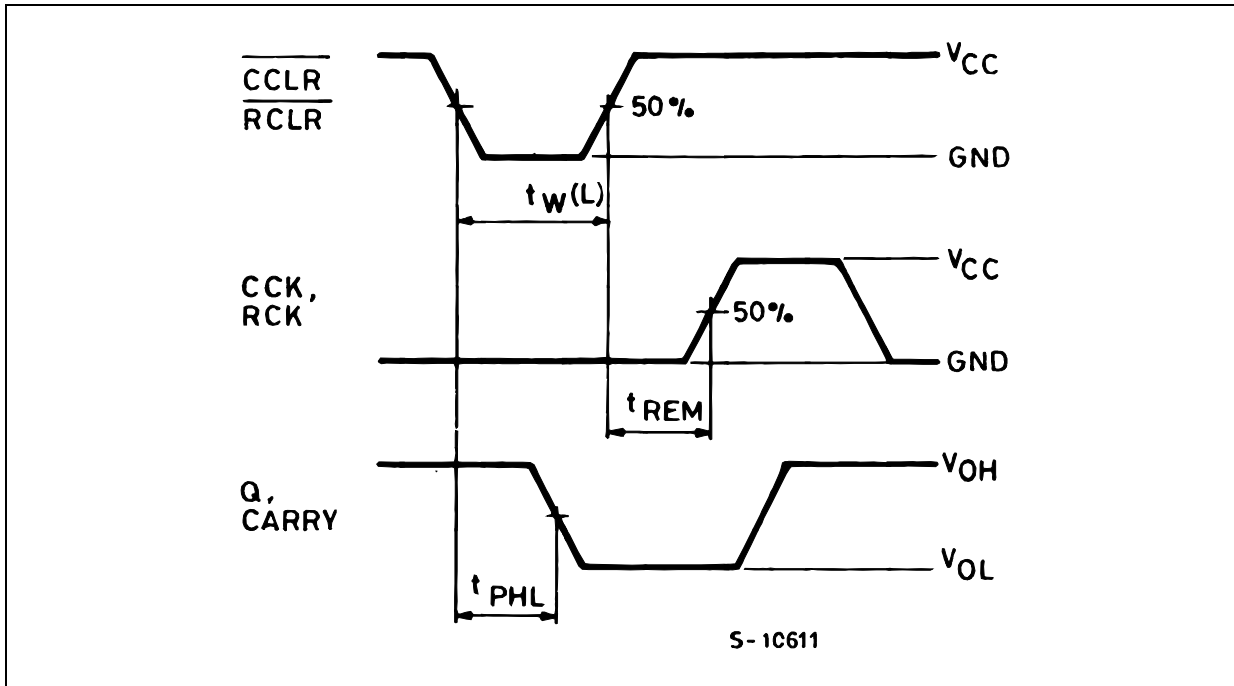
WAVEFORM 1: INPUT WAVEFORM ($f=1\text{MHz}$; 50% duty cycle)

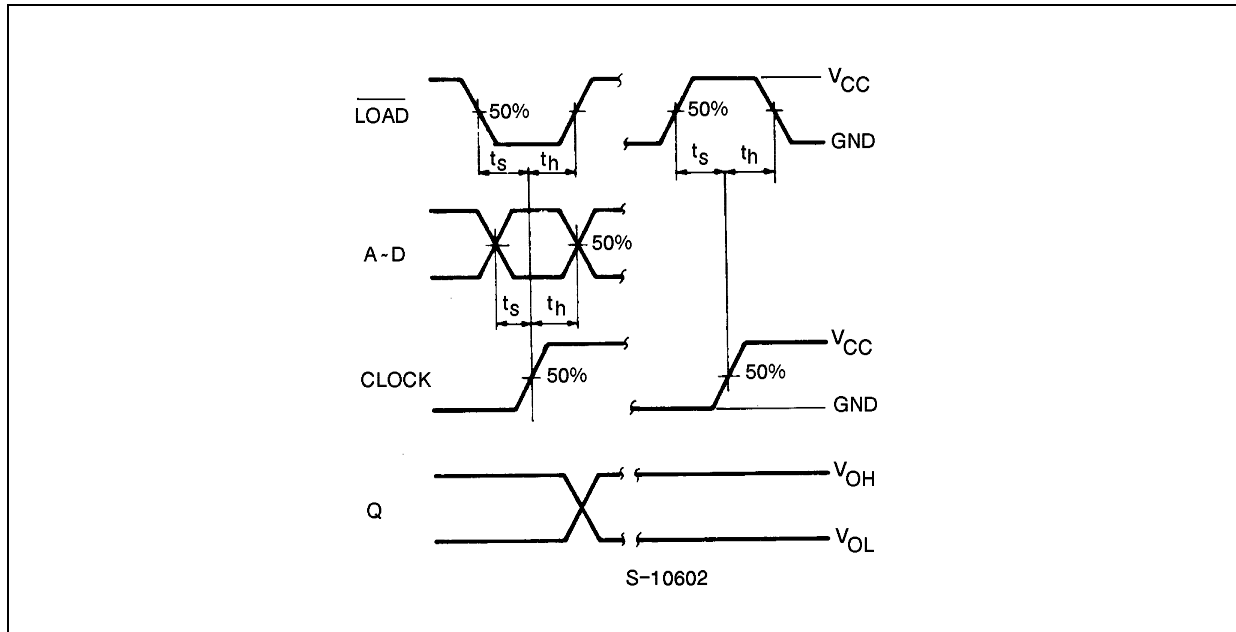
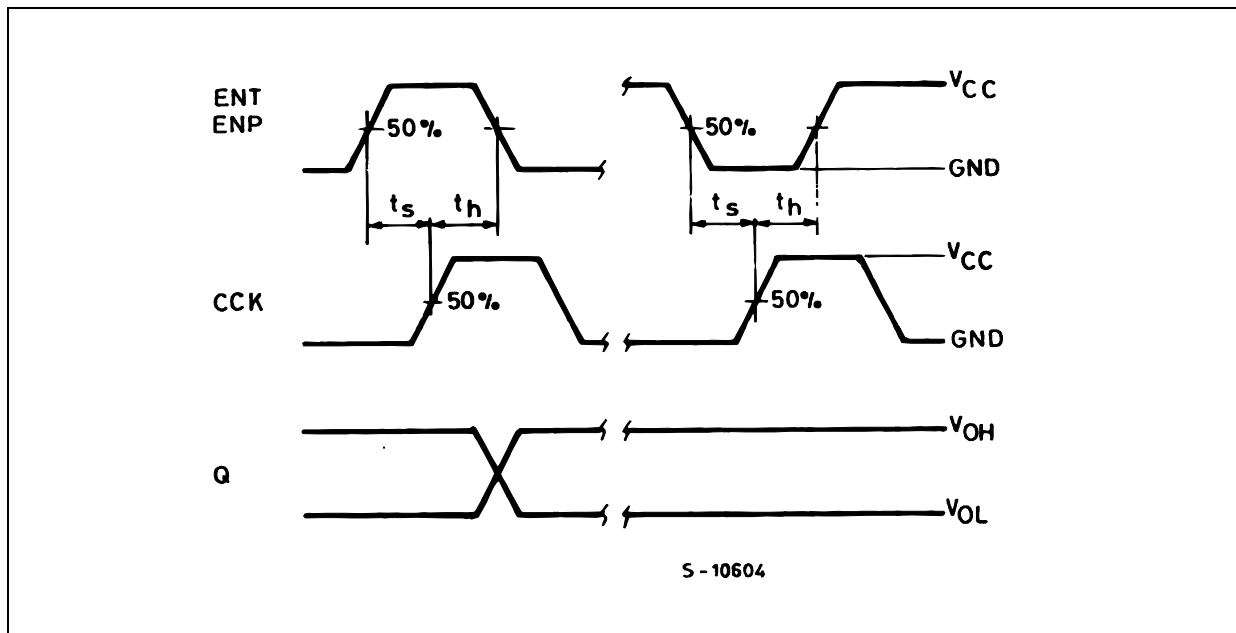


WAVEFORM 2 : PROPAGATION DELAY TIME, MINIMUM PULSE WIDTH (f=1MHz; 50% duty cycle)

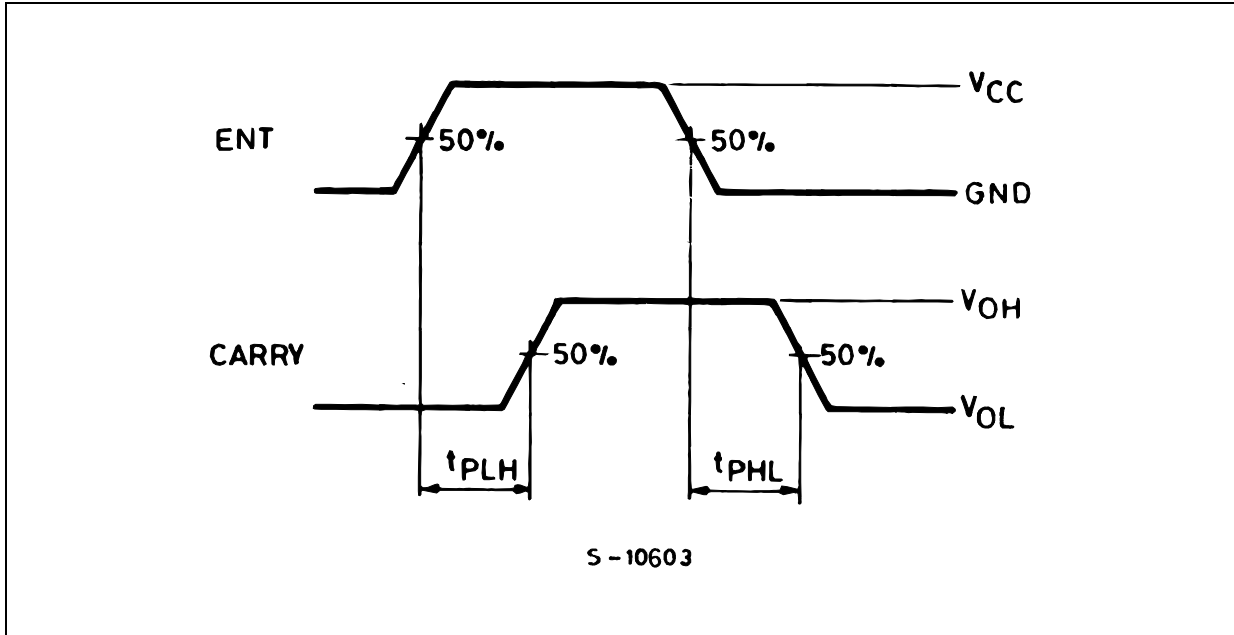


WAVEFORM 3 : MINIMUM PULSE WIDTH AND REMOVAL TIME (f=1MHz; 50% duty cycle)

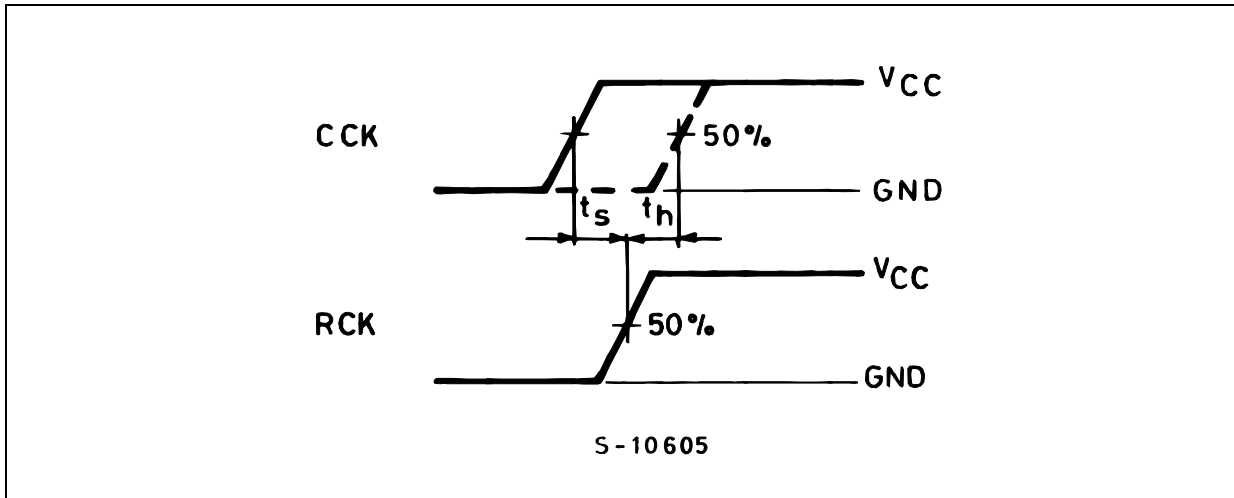


WAVEFORM 4 : MINIMUM SETUP AND HOLD TIME ($f=1\text{MHz}$; 50% duty cycle)WAVEFORM 5 : MINIMUM SETUP AND HOLD TIME ($f=1\text{MHz}$; 50% duty cycle)

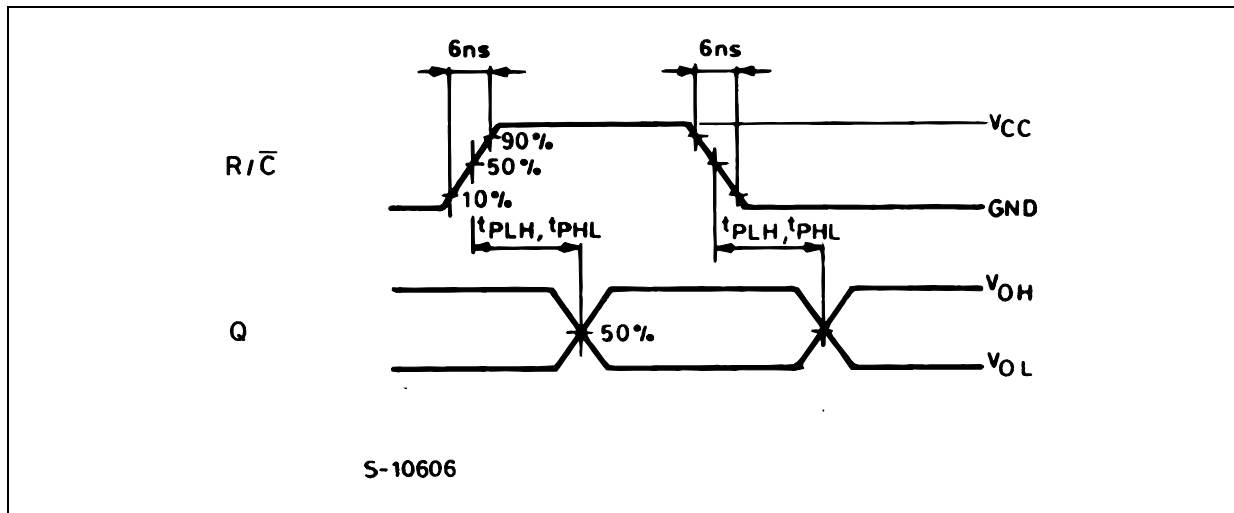
WAVEFORM 6 : PROPAGATION DELAY TIME (f=1MHz; 50% duty cycle)



WAVEFORM 7 : MINIMUM SETUP AND HOLD TIME (f=1MHz; 50% duty cycle)



WAVEFORM 8 : PROPAGATION DELAY TIME (f=1MHz; 50% duty cycle)

 t_{PLZ} , t_{PZL}

The $1K\Omega$ load resistors should be connected between outputs and V_{CC} line and the $50pF$ load capacitor should be connected between outputs and GND line.

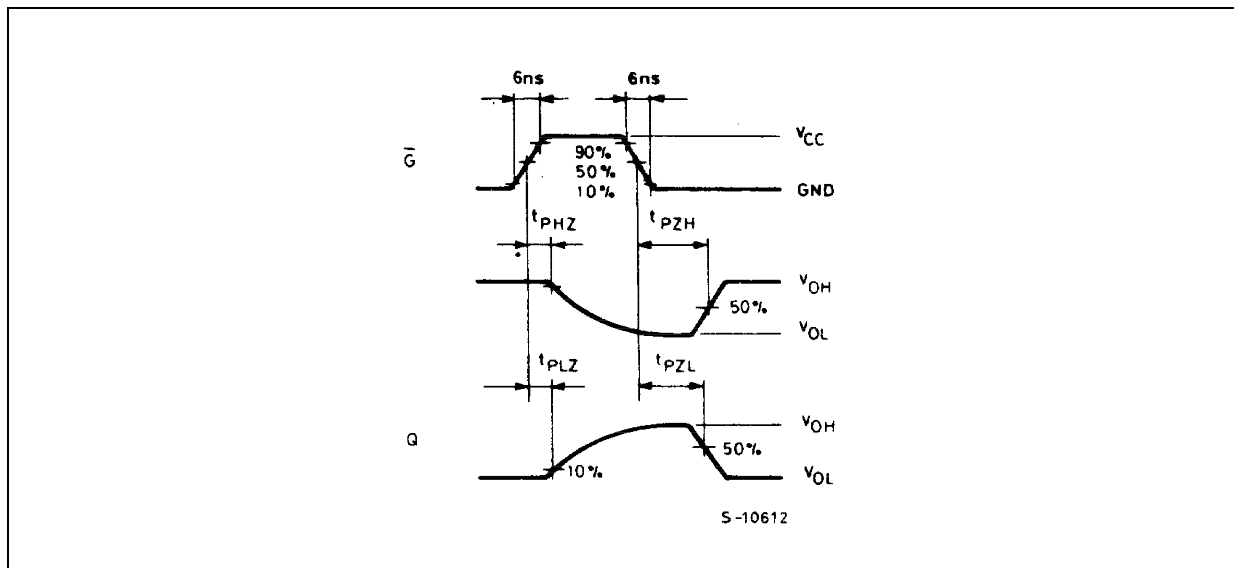
All inputs except \bar{G} input should be connected to V_{CC} or GND line such that outputs will be in low logic level while \bar{G} input is held low.

 t_{PHZ} , t_{PZH}

The $1K\Omega$ load resistors and the $50pF$ load capacitors should be connected between each output and GND line.

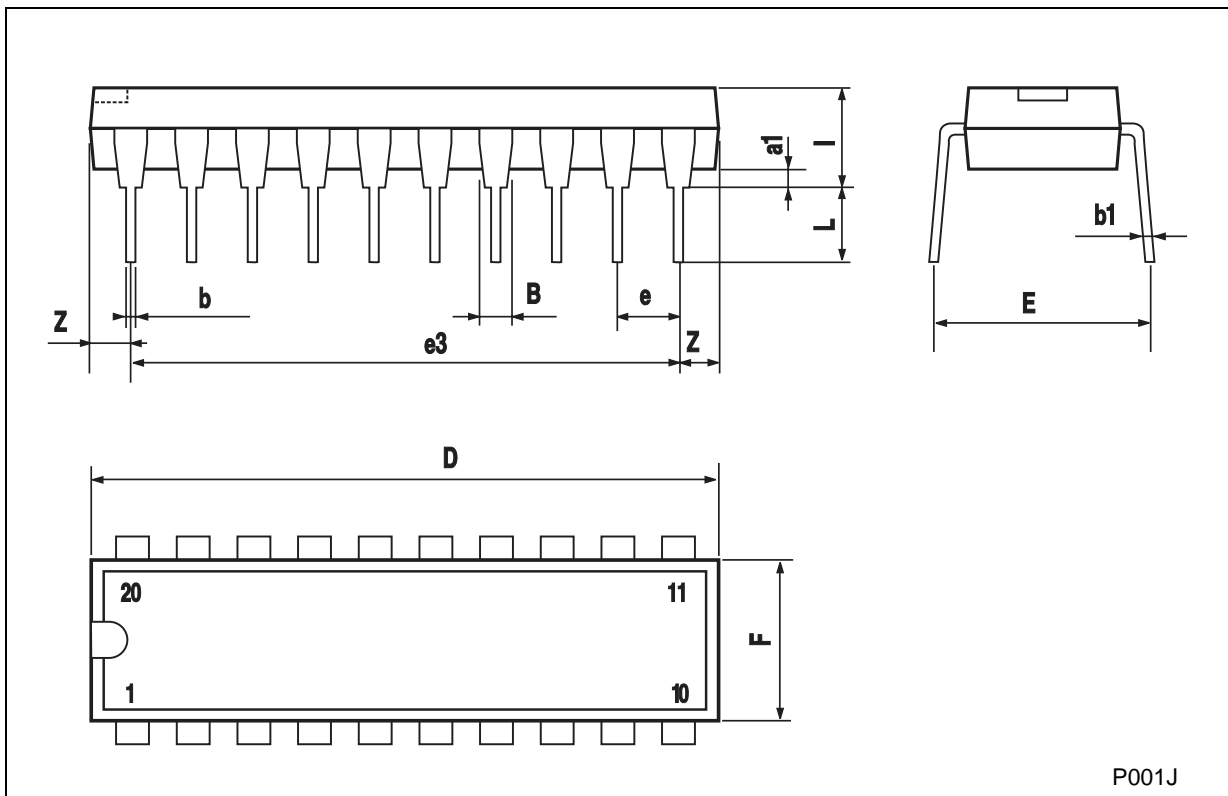
All inputs except \bar{G} input should be connected to V_{CC} or GND line such that outputs will be in low logic level while \bar{G} input is held low.

WAVEFORM 9 : OUTPUT ENABLE AND DISABLE TIME (f=1MHz; 50% duty cycle)



Plastic DIP-20 (0.25) MECHANICAL DATA

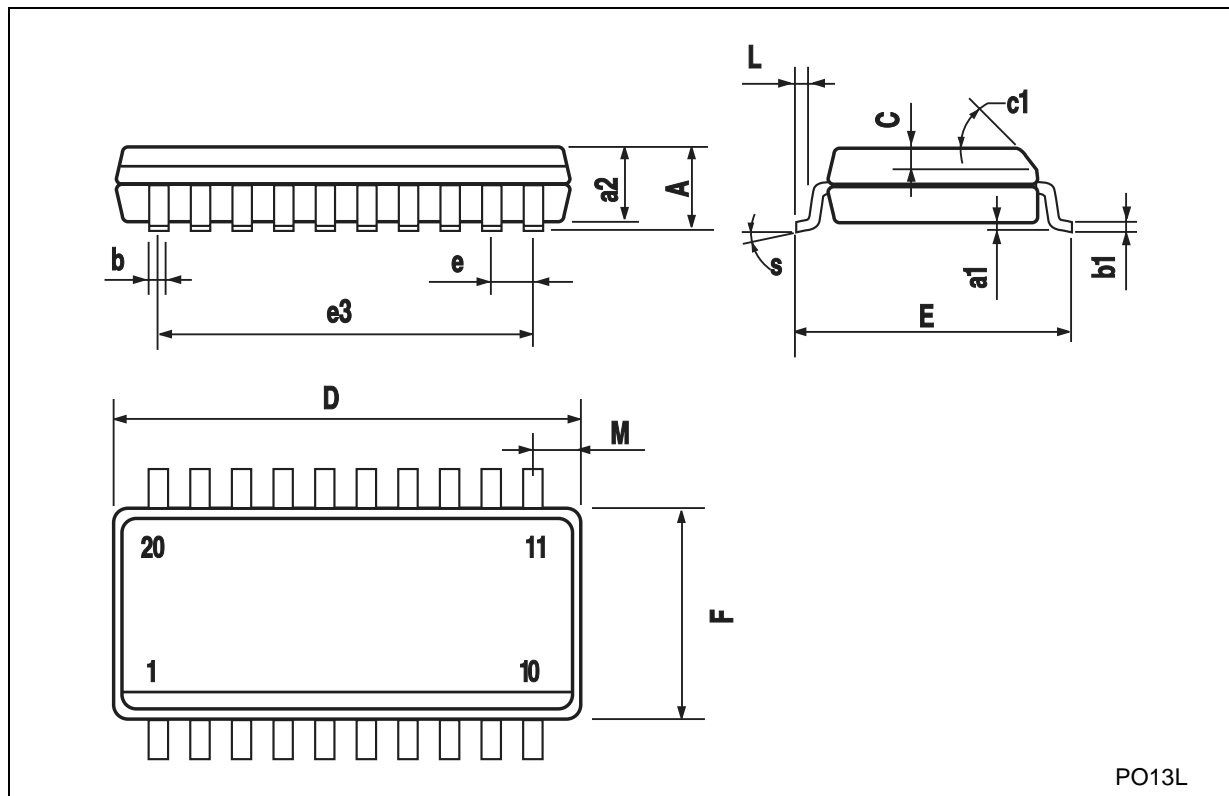
DIM.	mm.			inch		
	MIN.	TYP	MAX.	MIN.	TYP.	MAX.
a1	0.254			0.010		
B	1.39		1.65	0.055		0.065
b		0.45			0.018	
b1		0.25			0.010	
D			25.4			1.000
E		8.5			0.335	
e		2.54			0.100	
e3		22.86			0.900	
F			7.1			0.280
I			3.93			0.155
L		3.3			0.130	
Z			1.34			0.053



P001J

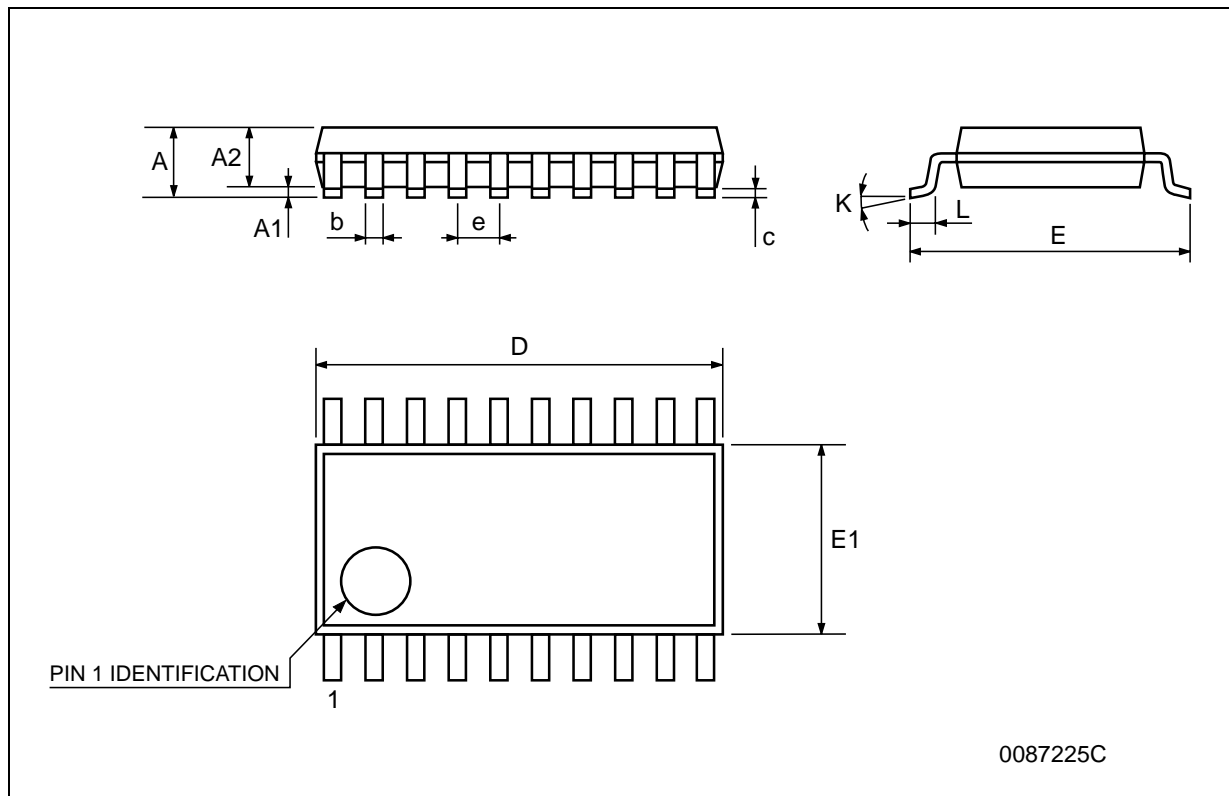
SO-20 MECHANICAL DATA

DIM.	mm.			inch		
	MIN.	TYP.	MAX.	MIN.	TYP.	MAX.
A			2.65			0.104
a1	0.1		0.2	0.004		0.008
a2			2.45			0.096
b	0.35		0.49	0.014		0.019
b1	0.23		0.32	0.009		0.012
C		0.5			0.020	
c1	45° (typ.)					
D	12.60		13.00	0.496		0.512
E	10.00		10.65	0.393		0.419
e		1.27			0.050	
e3		11.43			0.450	
F	7.40		7.60	0.291		0.300
L	0.50		1.27	0.020		0.050
M			0.75			0.029
S	8° (max.)					



TSSOP20 MECHANICAL DATA

DIM.	mm.			inch		
	MIN.	TYP	MAX.	MIN.	TYP.	MAX.
A			1.2			0.047
A1	0.05		0.15	0.002	0.004	0.006
A2	0.8	1	1.05	0.031	0.039	0.041
b	0.19		0.30	0.007		0.012
c	0.09		0.20	0.004		0.0089
D	6.4	6.5	6.6	0.252	0.256	0.260
E	6.2	6.4	6.6	0.244	0.252	0.260
E1	4.3	4.4	4.48	0.169	0.173	0.176
e		0.65 BSC			0.0256 BSC	
K	0°		8°	0°		8°
L	0.45	0.60	0.75	0.018	0.024	0.030



Information furnished is believed to be accurate and reliable. However, STMicroelectronics assumes no responsibility for the consequences of use of such information nor for any infringement of patents or other rights of third parties which may result from its use. No license is granted by implication or otherwise under any patent or patent rights of STMicroelectronics. Specifications mentioned in this publication are subject to change without notice. This publication supersedes and replaces all information previously supplied. STMicroelectronics products are not authorized for use as critical components in life support devices or systems without express written approval of STMicroelectronics.

© The ST logo is a registered trademark of STMicroelectronics

© 2000 STMicroelectronics - Printed in Italy - All Rights Reserved
STMicroelectronics GROUP OF COMPANIES

Australia - Brazil - China - Finland - France - Germany - Hong Kong - India - Italy - Japan - Malaysia - Malta - Morocco
Singapore - Spain - Sweden - Switzerland - United Kingdom

© <http://www.st.com>

