

The VP5313/VP5513 converts digital Y Cr Cb data into analog PAL or NTSC composite video, and also provides simultaneous RGB outputs. These additional converters can optionally provide separate luma and chroma outputs plus a further composite video channel. All outputs are capable of driving doubly terminated 75Ω loads with standard video levels.

All D/A converters are to 9 bit accuracy, and are provided with 27MHz oversampled data. The latter simplifies the requirement for external analog anti-aliasing filters, and reduces the $\sin x/x$ distortion inherent in D/A converters. Separate digital scaling is applied to the chroma data path in order to make the most efficient use of the 9 bit dynamic range. The device accepts data inputs complying with CCIR recommendation 656. In this format 4:2:2 video is multiplexed onto an 8 bit bus using a 27MHz clock. Active video markers are embedded into the data stream and extracted by the VP5313/VP5513. Optionally the user can supply separate horizontal and vertical syncs, and colour can be genlocked to an external subcarrier if necessary.

In an alternative operating mode the VP5313/VP5513 can be configured as the source of sync for the rest of the system. In this master mode the horizontal and vertical sync pins become outputs, and any control codes in the CCIR656 bit stream are ignored.

The VP5313/VP5513 supports the insertion of teletext data through a serial interface. An internal filter shapes the data edges.

FEATURES

- Converts Y, Cr, Cb data to analog RGB and composite or S-video and composite video
- Supports CCIR recommendations 601 and 656
- All digital video encoding
- Selectable master/slave mode for sync signals
- Switchable chrominance bandwidth
- CCIR 624 PAL SMPTE or 170M NTSC compatible outputs
- GENLOCK mode
- I²C bus serial microprocessor interface
- Only VP5313 supports Macrovision anti-taping Rev. 7.01
- Line 21 Closed Caption encoding
- Teletext insertion, fully line programmable

APPLICATIONS

- Digital Cable TV
- Digital Satellite TV
- Multi-media
- Video games
- Digital VCRs
- Karaoke

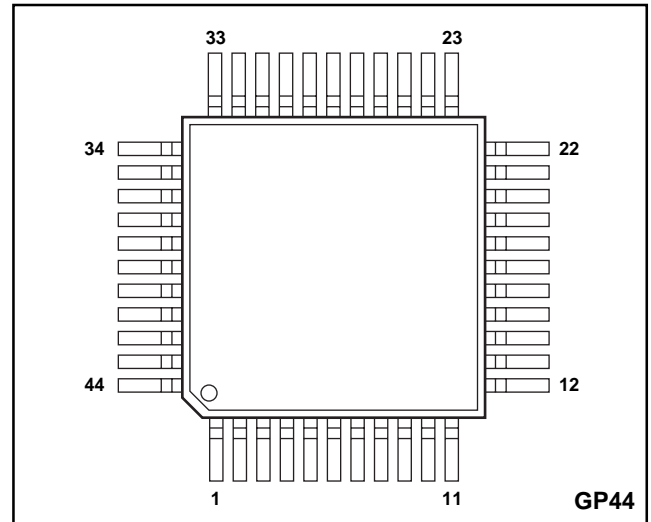


Fig.1 Pin connections (top view)

PIN	FUNCTION	PIN	FUNCTION
1	VDD	23	SCL
2	PD5	24	SDA
3	PD6	25	DACCOMP
4	PD7	26	RED/C
5	CLAMP	27	GREEN/Y
6	COMPSYNC	28	AVDD
7	PALID	29	AGND
8	SCSYNC	30	AVDD
9	REFSQ	31	BLUE/CVBS2
10	GND	32	CVBS1
11	VDD	33	VREF
12	FC2	34	RREF
13	FC1	35	AGND
14	FC0	36	AGND
15	HSYNC	37	AVDD
16	VSYNC	38	PD0
17	TTXREQ	39	PD1
18	SA	40	PD2
19	TTXDATA	41	PD3
20	VDD	42	PD4
21	GND	43	GND
22	RESET	44	PXCK

ORDERING INFORMATION

VP5313A/CG/GP1N
VP5513A/CG/GP1N

RECOMMENDED OPERATING CONDITIONS

Parameter	Symbol	Min.	Typ.	Max.	Units
Power supply voltage	VDD, AVDD	4.75	5.00	5.25	V
Power supply current (including analog outputs) ¹	IDD			230	mA
Power supply current (including analog outputs) ²	IDD			190	mA
Input clock frequency	PXCK	-50ppm	27.00	+50ppm	MHz
SCL clock frequency	fscl			500	kHz
Analog video output load			37.5		Ω
DAC gain resistor			730		Ω
Ambient operating temperature		0		70	$^{\circ}\text{C}$

- All four DACs driving 37R5 loads
- All four DACs driving 75R loads

ELECTRICAL CHARACTERISTICS

Test conditions (unless otherwise stated): As specified in Recommended Operating Conditions

DC CHARACTERISTICS

Parameter	Conditions	Symbol	Min.	Typ.	Max.	Units
Digital Inputs TTL compatible (except SDA, SCL)						
Input high voltage		VIN	2.0			V
Input low voltage		VIL			0.8	V
Digital Inputs SDA, SCL						
Input high voltage		VIH	0.7VDD			V
Input low voltage		VIL			0.3VDD	V
Input high current	VIN = VDD	IIH			10	μA
Input low current	VIN = VSS	IIL			-10	μA
Digital Outputs CMOS compatible						
Output high voltage	IOH = -1mA	VOH	3.7			V
Output low voltage	IOL = +4mA	VOL			0.4	V
Digital Output SDA						
Output low voltage	IOL = +6mA	VOL			0.6	V

DC CHARACTERISTICS DACs

Parameter	Symbol	Min.	Typ.	Max.	Units
Accuracy (each DAC)					
Integral linearity error	INL			± 1.5	LSB
Differential linearity error	DNL			± 1	LSB
DAC matching error				± 5	%
Monotonicity					
LSB size			guaranteed 66.83		μA
Internal reference voltage	VREF	0.95	1.00	1.05	V
Internal reference voltage output impedance	ZR		8k		Ω
Reference Current (VREF/RREF) RREF = 730 Ω	IREF		1.3899		mA
Maximum output			34.15		mA
Peak Glitch Energy (see fig.3)			50		pV-s

ABSOLUTE MAXIMUM RATINGS

Supply voltage	VDD, AVDD	-0.3 to 7.0V
Voltage on any non power pin		-0.3 to VDD+0.3V
Ambient operating temperature		0 to 70 $^{\circ}\text{C}$
Storage temperature		-55 $^{\circ}\text{C}$ to 150 $^{\circ}\text{C}$

Note: Stresses exceeding these listed under Absolute Maximum Ratings may induce failure. Exposure to Absolute Maximum Ratings for extended periods may reduce reliability. Functionality at or above these conditions is not implied.

ESD COMPLIANCE

Pins	Test	Test Levels	Notes
All pins	Human body model	2kV on 100pF through 1k5Ω	Meets Mil-Std-883 Class 2
All pins	Machine model	200V on 200pF through 0Ω & 500nH	

DC CHARACTERISTICS DACs

Parameter	Symbol	Min.	Typ.	Max.	Units
RGB outputs:					
Peak level			19.98		mA
Black level			1.337		mA
CVBS1, 2 Y and C outputs - NTSC (pedestal enabled)					
Maximum output, relative to sync bottom			33.75		mA
White level relative to black level			17.63		mA
Black level relative to blank level			1.40		mA
Blank level relative to sync level			7.61		mA
Colour burst peak - peak			7.61		mA
DC offset (bottom of sync)			0.40		mA
CVBS1, 2, Y and C outputs - PAL					
White level relative to black level			18.70		mA
Black level relative to sync level			8.01		mA
Colour burst peak - peak			8.01		mA
DC offset (bottom of sync)			0.00		mA

All figures are for: RREF = 730Ω; if RL = 75Ω then RREF = 1460Ω

VIDEO CHARACTERISTICS (NTSC, PAL COMPOSITE VIDEO)

Parameter	Symbol	Min.	Typ.	Max.	Units
Luminance bandwidth			5.5		MHz
Chrominance bandwidth (Extended B/w mode)			1.3		MHz
Chrominance bandwidth (Reduced B/w mode)			650		kHz
Burst frequency (NTSC)			3.57954545		MHz
Burst frequency (PAL-B, D,G,H,I)			4.43361875		MHz
Burst frequency (PAL-N Argentina)			3.58205625		MHz
Burst cycles (NTSC and PAL-N)			9		Fsc cycles
Burst cycles (PAL-B, D, G, H, I)			10		Fsc cycles
Burst envelope rise / fall time (NTSC)			300		ns
Burst envelope rise / fall time (PAL-B, D, G, H, I, N)			300		ns
Analog video sync rise / fall time (NTSC)			145		ns
Analog video sync rise / fall time (PAL-B, D, G, H, I)			245		ns
Analog video blank rise / fall time (NTSC)			145		ns
Analog video blank rise / fall time (PAL-B, D, G, H, I)			245		ns
Differential gain					% pk-pk
Differential phase				1	° pk-pk
Signal to noise ratio (unmodulated ramp)				1	dB
Chroma AM signal to noise ratio (100% red field)				-61	dB
Chroma PM signal to noise ratio (100% red field)				-56	dB
Hue accuracy				-58	%
Colour saturation accuracy				2.5	%
Residual sub carrier			-60	2.5	dB
Luminance / chrominance delay			5		ns
				10	

PIN DESCRIPTIONS

Pin Name	Pin No.	Description
PD0-7	2-4, 38-42	8 Bit Pixel Data inputs clocked by PXCK. PD0 is the least significant bit. These pins are internally pulled low.
PXCK	44	27MHz Pixel Clock input. The VP5313/VP5513 internally divides PXCK by two to provide the pixel clock.
SA	18	Slave address select.
SCL	23	Standard I ² C bus serial clock input.
SDA	24	Standard I ² C bus serial data input/output.
FC0-2	12-14	Field Counter output in master sync mode.
REFSQ	9	Reference square wave input used only during Genlock mode.
SCSYNC	8	Subcarrier sync input, (synchronises phase quadrant in 4xfsc genlock mode), see fig 6.
PALID	7	PAL IDENT input, controls swinging colour burst phase in PAL genlock mode.
COMPSYNC	6	Composite sync pulse output. This is an active low output signal.
CLAMP	5	The CLAMP output signal is synchronised to COMPSYNC output and indicates the position of the BURST pulse, (lines 10-263 and 273-525 for NTSC; lines 6-310 and 319-623 for PAL-B,D,G,I,N(Argentina)).
TTXREQ	17	Teletext Data Request output, requests next line of teletext data.
TTXDATA	19	Teletext Data input.
<u>HSYNC</u>	15	Horizontal Sync, output in master mode, input in slave mode
<u>VSYNC</u>	16	Vertical Sync, output in master mode, input in slave mode
RESET	22	Master reset. This is an asynchronous, active low, input signal and must be asserted for a minimum 200ns in order to reset the VP5313/VP5513.
VREF	33	Voltage reference output. This output is nominally 1.0V and should be decoupled with a 100nF capacitor to GND.
RREF	34	DAC full scale current control. A resistor connected between this pin and GND sets the magnitude of the video output current. An internal loop amplifier controls a reference current flowing through this resistor so that the voltage across it is equal to the Vref voltage. This reference current has a weighting equal to 20.8 LSB's.
DACCOMP	25	DAC compensation. A 100nF ceramic capacitor must be connected to AVDD.
CVBS1	32	Composite video output. These are high impedance current source outputs. A DC path to GND must exist from each of these pins.
BLUE/CVBS2	31	Blue or composite DAC output. Output type as CVBS1.
GREEN/Y	27	Green or luminance DAC output. Output type as CVBS1.
RED/C	26	Red or chrominance DAC output. Output type as CVBS1.
VDD	1, 11, 20	Positive supply input. All VDD pins must be connected.
AVDD	37,28,30	Analog positive supply input. All AVDD pins must be connected.
GND	10,21,43	Negative supply input. All GND pins must be connected.
AGND	36,29,35	Analog negative supply input. All AGND pins must be connected.

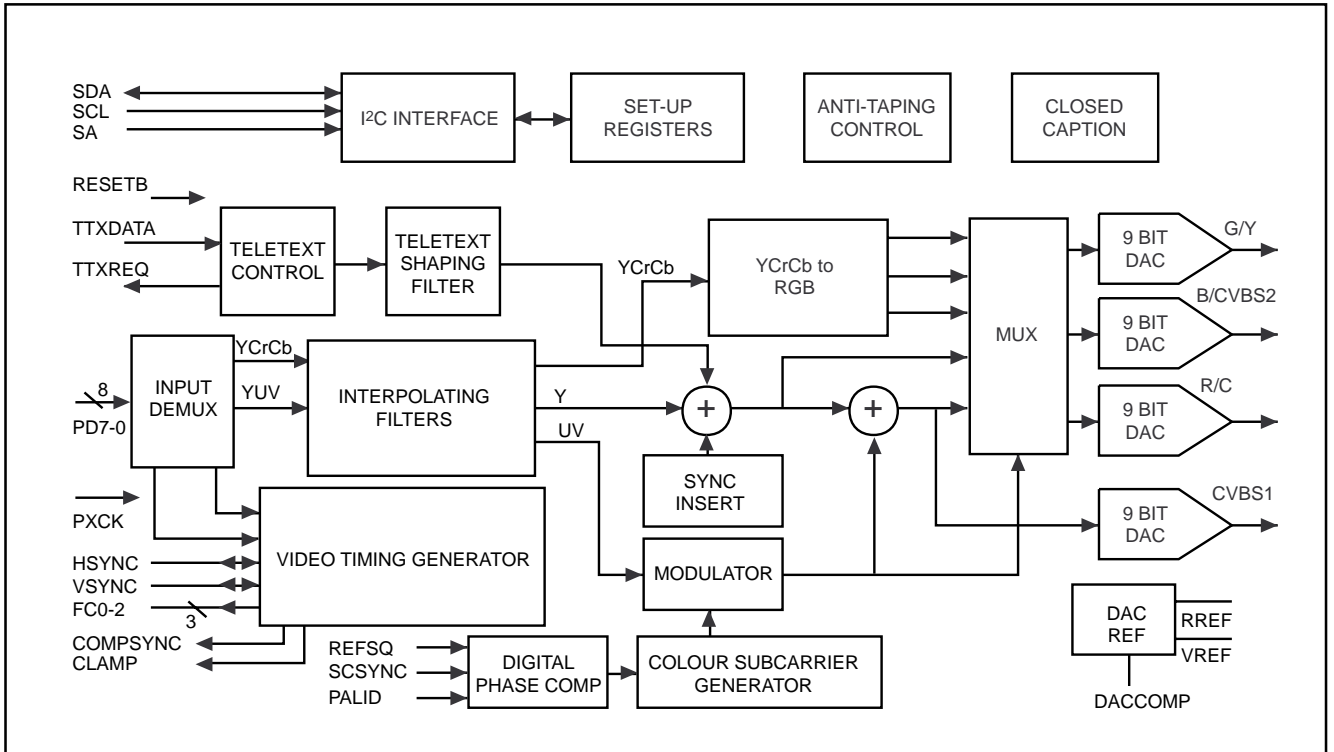


Figure 2 Functional block diagram

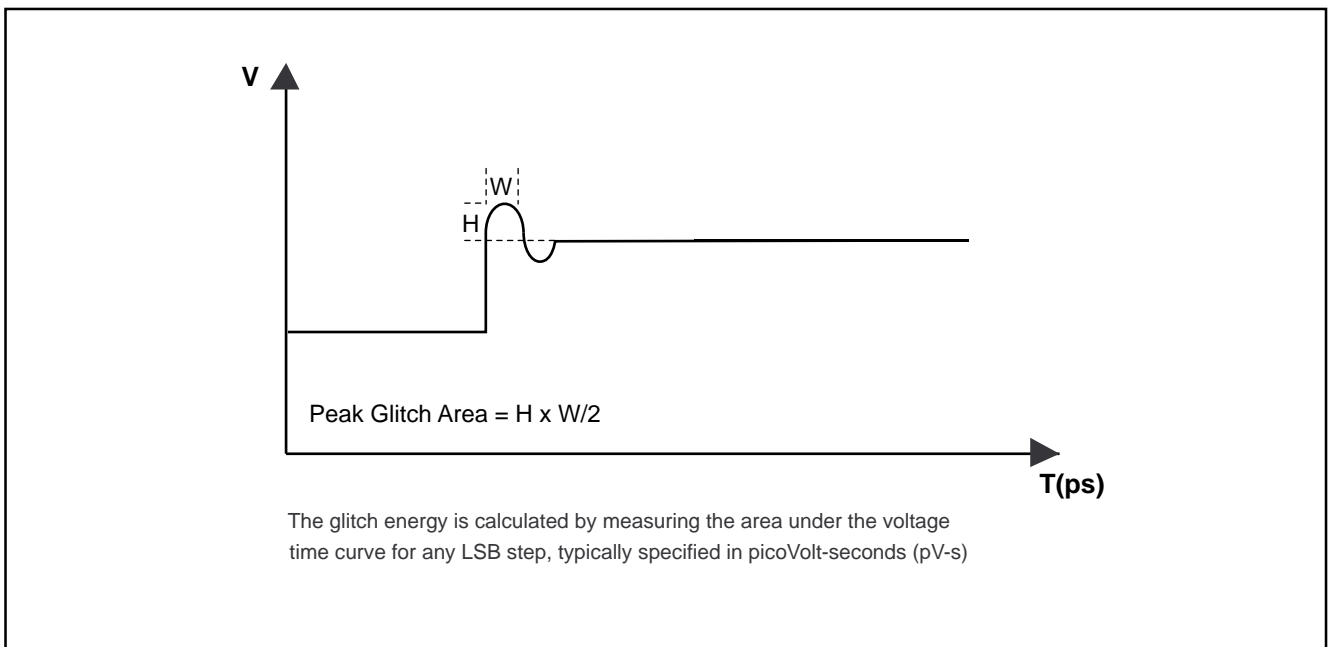


Figure 3 Glitch Energy (see Peak Glitch Energy in table on page 2)

REGISTERS MAP

See Register Details for further explanations.

ADDRESS hex	REGISTER NAME	7	6	5	4	3	2	1	0	R/W	DEFAULT hex
00	BAR	RA7	RA6	RA5	RA4	RA3	RA2	RA1	RA0	W	
01	PART ID2	ID17	ID16	ID15	ID14	ID13	ID12	ID11	ID10	R	00
02	PART ID1	ID0F	ID0E	ID0D	ID0C	ID0B	ID0A	ID09	ID08	R	53
03	PART ID0	ID07	ID06	ID05	ID04	ID03	ID02	ID01	ID00	R	13
04	REV ID	REV7	REV6	REV5	REV4	REV3	REV2	REV1	REV0	R	01
05	MODE	-	-	-	DACCFG	VFS1	VFS0	SYNCM1	SYNCM0	R/W	00
06	GCR	FSC4SEL	GENDITH	GENLKEN	NOLOCK	PALIDEN	YCDELAY	CLMPDIS	CVBSCLMP	R/W	00
07	VOCR	DITHEN	CHRMCLIP	CHRBW	SYNCDIS	BURDIS	LUMDIS	CHRDIS	PEDEN	R/W	20
08	RSTCTL	-	-	-	-	-	-	-	TSURST	R/W	00
09	SC_ADJ	SC7	SC6	SC5	SC4	SC3	SC2	SC1	SC0	R/W	9C
0A	FREQ2	FR17	FR16	FR15	FR14	FR13	FR12	FR11	FR10	R/W	A8
0B	FREQ1	FR0F	FR0E	FR0D	FR0C	FR0B	FR0A	FR09	FR08	R/W	26
0C	FREQ0	FR07	FR06	FR05	FR04	FR03	FR02	FR01	FR00	R/W	2B
0D	SCHPHM	-	-	-	-	-	-	-	SCH8	R/W	00
0E	SCHPHL	SCH7	SCH6	SCH5	SCH4	SCH3	SCH2	SCH1	SCH0	R/W	00
0F	HSOFFL	HSOFF7	HSOFF6	HSOFF5	HSOFF4	HSOFF3	HSOFF2	HSOFF1	HSOFF0	R/W	7E
10	HSOFFM	-	-	-	-	-	-	HSOFF9	HSOFF8	R/W	00
11	SLAVE1	NCORSTD	VBITDIS	VSMODE	F_SWAP	SL_HS1	SL_HS0	HCNT9	HCNT8	R/W	00
12	SLAVE2	HCNT7	HCNT6	HCNT5	HCNT4	HCNT3	HCNT2	HCNT1	HCNT0	R/W	00
13-1F	TSTPAT	-	-	-	-	-	-	TTXPAT	RAMPEN	R/W	00
20-33	Not used										
34-3F	Reserved										
40	TTXLO2	-	-	-	-	-	-	-	L6	R/W	00
41	TTXLO1	L14	L13	L12	L11	L10	L9	L8	L7	R/W	00
42	TTXLO0	L22	L21	L20	L19	L18	L17	L16	L15	R/W	00
43	TTXLE2	-	-	-	-	-	-	L319	L318	R/W	00
44	TTXLE1	L327	L326	L325	L324	L323	L322	L321	L320	R/W	00
45	TTXLE0	L335	L334	L333	L332	L331	L330	L329	L328	R/W	00
46	TTXDD	TTXDD7	TTXDD6	TTXDD5	TTXDD4	TTXDD3	TTXDD2	TTXDD1	TTXDD0	R/W	01
47	TTXCTL	-	-	-	-	-	-	-	TTXEN	R/W	00
48-4F	Not used										
50	CCREG1	-	F1W1D6	F1W1D5	F1W1D4	F1W1D3	F1W1D2	F1W1D1	F1W1D3	R/W	XX
51	CCREG2	-	F1W2D6	F1W2D5	F1W2D4	F1W2D3	F1W2D2	F1W2D1	F1W2D3	R/W	XX
52	CCREG3	-	F2W1D6	F2W1D5	F2W1D4	F2W1D3	F2W1D2	F2W1D1	F2W1D3	R/W	XX
53	CCREG4	-	F2W2D6	F2W2D5	F2W2D4	F2W2D3	F2W2D2	F2W2D1	F2W2D3	R/W	XX
54	CC_CTL	-	-	-	-	F2ST	F1ST	F2EN	F1EN	R/W	00
55-5F	Not used										
60	IICEXCTL	CTL7	CTL6	CTL5	CTL4	CTL3	CTL2	CTL1	CTL0	W	FF
61	IICEXW/R	W/RD7	W/RD6	W/RD5	W/RD4	W/RD3	W/RD2	W/RD1	W/RD0	R/W	-
62-FD	Not used										
FE-FF	Reserved										

Table.1 Register map

REGISTER DETAILS

BAR **Base register**
RA7-0 Register address

PART ID 2-0 **Part number**
ID17-00 Chip part ID number

REV ID **Revision number**
REV7-0 Chip revision ID number

MODE **Mode Control**

DACCFG	
0	R,G,B & CVBS analog outputs
1	Y,C, CVBS1 & CVBS2 analog outputs

VFS1	VFS0	Video Standard
0	0	PAL-B,D,G,H,I,N(Arg.)
0	1	NTSC
1	0	Reserved
1	1	Reserved

SYNCM1	SYNCM0	Sync mode
0	0	Slave, Rec. 656
0	1	Slave H & V I/P
1	0	Master H & V O/P
1	1	Reserved

GCR **Global Control**

FSC4SEL	Input subcarrier frequency select
0	REFSQ I/P = Fsubcarrier SCSYNC I/P ignored
1	REFSQ I/P = 4 x Fsubcarrier When SCSYNC I/P is asserted the REFSQ I/P divide by 4 is reset

GENDITH	Genlock dither addition control
0	No dither added
1	Dither added

GENLKEN	Genlock enable control
0	Internal subcarrier generation
1	When high, enable Genlock to REFSQ

NOLOCK	Genlock status bit (read only)
0	Genlocked
1	Cannot lock to REFSQ. This bit is cleared by reading and set again if lock cannot be attained.

PALIDEN	PAL Ident select
0	Normal operation, internal PAL switch is used.
1	Enables PALID input, a phase control an for PALID signal, (0 = +135°, 1 = -135°)

YCDELAY	Add delay to luma channel
0	Luma to Chroma delay, 0ns
1	Luma to Chroma delay, 37ns

CLAMPDIS	CLAMP O/P select
0	CLAMP O/P enabled
1	CLAMP O/P disabled

CVBSCLAMP	Composite clamp enable
0	CVBS Clamp disabled
1	Clamps CVBS output, to prevent out of range DAC codes.

VOCR **Video Output Control**

DITHEREN	Luma dither enable
0	Normal operation
1	Luma dither enabled

CHRMCLIP	Chroma clipping select
0	No chroma clipping
1	Enable clipping of chroma data when luma is clipped

CHRBW	Chroma bandwidth select
0	±650kHz
1	±1.3MHz

SYNCDIS	Sync disable (in CVBS signal)
0	Normal operation
1	Sync disabled (COMPSYNC O/P is not affected)

BURDIS	Chroma burst disable
0	Normal operation
1	Chroma burst disabled

LUMDIS	Luma input disable - force black level
0	Normal operation
1	Luma disabled

CHRDIS	Chroma input disable - force monochrome
0	Normal operation
1	Chroma disabled

PEDEN	Pedestal (set-up) select Valid for NTSC
0	Pedestal disabled
1	7.5 IRE pedestal on lines 23-262 and 286-525

RSTCTL Reset Data Control

TSURST	Soft reset control
0	Normal operation
1	Chip soft reset

SC_ADJ Sub Carrier Adjust
 SC7-0 Sub carrier frequency seed value.

FREQ2-0 Sub carrier frequency
 FR17-00 24 bit Sub carrier frequency programmed via I²C bus. FREQ3 is the MSB.

SCHPHM-L Sub carrier phase offset
 SCH8-0 9 bit Sub carrier phase relative to the 50% point of the leading edge of the horizontal part of composite sync. SCHPHM bit 0 is the MSB.

HSOFFL-M Horizontal Sync Output Offset
 HSOFF9-0 This is a 10 bit number which allows the user to offset the start of digital data input with reference to the pulse HS.

SLAVE1-2 H & V Slave Mode Control

NCORSTD	NCO line reset disable
	NCO is always reset at end of 4(8) field sequence in NTSC(PAL) regardless of the value of this control bit
0	NCO is reset every line in NTSC mode
1	NCO line reset is disabled

VBITDIS	Ignore REC656 V-bit select
0	REC656 V-bit will be decoded and the line blanked accordingly
1	REC656 V-bit will be ignored

VSMODE	Select type of Vsync input
0	Standard Vsync I/P
1	Field even/odd Vsync I/P

F_SWAP	Invert field detect decision
0	Standard relationship applies
1	Inverted relationship applies

SL_HS(1:0)	Internal Hsync delay control
00	No internal delay
01	1 x 27MHz cycle delay
10	2 x 27MHz cycle delay
11	3 x 27MHz cycle delay

TSLAVE2 HCNT(9:0) - Internal H counter is reset to this value on falling edge of Hsync input.

TSTPAT Test Pattern Register

TTX_PAT	Teletext test pattern enable
0	Normal operation
1	Teletext test pattern enabled

RAMPEN	Modulated test ramp enable
0	Normal operation
1	Modulated test ramp enabled

TTXLO2-0 Teletext Odd Line Enable
 L6-22 1 = Teletext Enabled on that line number

TTXLE2-0 Teletext Even Line Enable
 L318-335 1 = Teletext Enabled on that line number

TTXDD7-0 Teletext Request Pulse Position

TTXCTL Teletext Control

TTXEN	Teletext enable
0	Teletext disabled
1	Teletext enabled

CCREG1 Closed Caption register 1
 F1W1D6-0 Field one (line 21), first data byte

CCREG2 Closed Caption register 2
 F1W2D6-0 Field one (line 21), second data byte

CCREG3 Closed Caption register 3
 F2W2D6-0 Field two (line 284), first data byte

CCREG4 Closed Caption register 4
 F2W2D6-0 Field two (line 284), second data byte

CCCTL Closed Caption control register

F1ST	Field one (line 21) status bit
0	New data has been loaded to CCREG1-2
1	Data has been encoded

F2ST	Field one (line 284) status bit
0	New data has been loaded to CCREG3-4
1	Data has been encoded

F1EN	Closed Caption field one (line 21)
0	Disabled
1	Enabled

F2EN	Closed Caption field one (line 284)
0	Disabled
1	Enabled

IICEXCTL CTL7-0	I²C Extension Control Each bit controls port direction 0 = output 1 = input
IICEXR/W RD7-0	I²C Extension Control I ² C bus read and write data from I ² C extension port

I²C BUS CONTROL INTERFACE

I²C bus address

A6	A5	A4	A3	A2	A1	A0	R/ \bar{W}
0	0	0	1	1	0	SA	X

The serial microprocessor interface is via the bi-directional port consisting of a data (SDA) and a clock (SCL) line. It is compatible to the Philips I²C bus standard (Jan. 1992 publication number 9398 393 40011). The interface is a slave transmitter - receiver with a sub-address capability. All communication is controlled by the microprocessor. The SCL line is input only. The most significant bit (MSB) is sent first. Data must be stable during SCL high periods.

A bus free state is indicated by both SDA and SCL lines being high. START of transmission is indicated by SDA being pulled low while SCL is high. The end of transmission, referred to as a STOP, is indicated by SDA going from low to high while SCL is high. The STOP state can be omitted if a repeated START is sent after the acknowledge bit. The reading device acknowledges each byte by pulling the SDA line low on the ninth clock pulse, after which the SDA line is released to allow the transmitting device access to the bus.

The device address can be partially programmed by the setting of the pin SA. This allows the device to respond to one of two addresses, providing for system flexibility. The I²C bus address is seven bits long with the last bit indicating read/write for subsequent bytes.

The first data byte sent after the device address, is the sub-address - BAR (base address register). The next byte will be written to the register addressed by BAR and subsequent bytes to the succeeding registers. The BAR maintains its data after a STOP signal.

NTSC/PAL Video Standards

Both NTSC (4-field, 525 lines) and PAL (8-field, 625 lines) video standards are supported by the VP5313/VP5513. All raster synchronisation, colour sub-carrier and burst characteristics are adapted to the standard selected. The VP5313/VP5513 generates outputs which follow the requirements of SMPTE 170M and CCIR 624 for PAL signals.

The device supports the following standards:
PAL B, D, G, H, I, N (Argentina) (default state) and
NTSC.

Video Blanking

The VP5313/VP5513 automatically performs standard composite video blanking. Lines 1-9, 264-272 inclusive, as well as the last half of line 263 are blanked in NTSC mode. In PAL mode, lines 1-5, 311-318, 624-625 inclusive, as well as the last half of line 623 are blanked.

The V bit within REC656 defines the video blanking when in TRS slave mode. By setting VBITDIS in the SLAVE1 register this blanking can be overridden. When in MASTER mode the V bit is ignored; hence, if any lines are required to be blank, they must have no video signal input on them.

Interpolator

The luminance and chrominance data is separately passed through interpolating filters to produce output sampling rates double that of the incoming pixel rate. This reduces the sinx/x distortion that is inherent in the digital to analog converters (DACs), and also simplifies the analog reconstruction filter requirements.

Digital to Analog Converters

The VP5313/VP5513 contains four 9 bit digital to analog converters which produce the analog video signals. The DACs use a current steering architecture in which bit currents are routed to one of two outputs; thus the DAC has true and complimentary outputs, however, only the true outputs are available on the pins. The use of identical current sources and current steering their outputs means that monotonicity is guaranteed. An on-chip voltage reference of 1.00V (typ.) provides the necessary biasing; if required, this can be overridden by an external reference.

The full-scale output currents of the DACs is set by an external 730 Ω resistor between the RREF and AGND pins. An on-chip loop amplifier stabilises the full-scale output current against temperature and power supply variations.

By digitally summing the luma and chroma outputs a composite output is generated. The analog outputs of the VP5313/VP5513 are capable of directly driving doubly terminated 75 Ω co-axial cable. If it is required only to drive a single 75 Ω load then the DACGAIN resistor is simply doubled.

Luminance, Chrominance and Composite Video Outputs

The Luminance video output drives a 37.5 Ω load at 1.0V, sync tip to peak white. It contains only the luminance content of the image plus the composite sync pulses. In the NTSC mode, a set-up level offset is added during the active video portion of the raster.

The Chrominance video output drives a 37.5 Ω load at levels proportional in amplitude to the luma output (40 IRE pk-pk burst). Burst is injected with the appropriate timing relative to the luma signal.

Output sinx/x compensation filters are required on all video outputs, as shown in the typical application diagram, see fig. 11 & 12.

RGB Video Outputs

The RGB video outputs drive a 37.5 Ω load at 0.7V blank to peak.

Output sinx/x compensation filters are required on all video outputs, as shown in the typical application diagram, see fig. 11 & 12.

Video Timing - Slave sync mode

The VP5313/VP5513 has an internal timing generator which produces video timing signals appropriate to the mode of operation. TRS slave mode means that the video encoder synchronises itself to the TRS (Timing Reference Signal) codes that are embedded into the Rec. 656 data pattern. In the

default (power up) the TRS slave mode is selected. All internal timing signals are derived from the input clock, (PXCK) this must be derived from a crystal controlled oscillator. Input pixel data is latched on the rising edge of the PXCK clock.

The video timing generator produces the internal blanking and burst gate pulses, together with the composite sync output signal.

H&V slave mode is enabled by setting the SYNCM1-0 bits in the MODE register to 01. In this mode the position of the video syncs is derived from the HS and VS inputs. These HS and VS pins are automatically configured as inputs.

Video Timing - Master sync mode

When SYNCM1-0 of the MODE register are 10, the VP5313/VP5513 operates in a MASTER sync mode, all REC656 timing reference codes are ignored with VS, HS and FC0-2 outputs providing synchronisation signals to an external (MPEG) device. The PXCK signal is, however, still used to generate all internal clocks. In master mode the direction setting of bits 4 - 0 of the IICEXCTL register are ignored.

VS is the start of the field sync datum in the middle of the equalisation pulses. HS is the line sync which is used by the preceding MPEG2 decoder to define when to output digital video data to the VP5313/VP5513. The position of the falling edge of HS relative to the first data Cb0, can be programmed in HSOFFM-L registers, see figure 5.

Genlock using REFSQ input

The VP5313/VP5513 can be Genlocked to another video source by setting GENLKEN high (in GCR register) and feeding a phase coherent sub carrier frequency signal into REFSQ. Under normal circumstances, REFSQ will be the same frequency as the sub carrier; however if FSC4SEL is set high (in GCR register), a 4 x sub carrier frequency signal may be input to REFSQ. In this case, the Genlock circuit can be reset to the required phase of REFSQ, by supplying a pulse to SCSYNC. The frequency of SCSYNC can be at the sub carrier frequency, once per line or once per field could be adequate, depending on the application. When GENLKEN is set high, the direction setting of bit 5 of the IICEXCTL register is ignored.

PALID input

When using PAL and Genlock mode; the VP5313/VP5513 requires a PAL phase identification signal, to define the correct phase on every line. This is supplied to PALID input, High = -135° and low = $+135^\circ$. The signal is asynchronous, and should be changed before the sub carrier burst signal. PALID input is enabled by setting PALIDEN high (in GCR register). When PALIDEN is set high, the direction setting of bit 7 of the IICEXCTL register is ignored.

Line 21 coding

Two bytes of data are coded on the line 21 of each field, see figure 8. In the NTSC Closed Caption service, the default state is to code on line 21 of field one only. An additional service can also be provided using line 21 (284) of the second field. The data is coded as NRZ with odd parity, after a clock run-in and framing code. The clock run-in frequency = 0.5034965MHz which is related to the nominal line period, $D = H / 32$.

$$D = 63.55555556 / 32\mu\text{s}$$

Two data bytes per field are loaded via I²C bus registers CCREG1-4. Each field can be independently enabled by programming the enable bits in the control register (CC_CTL). The data is cleared to zero in the Closed Caption shift registers after it has been encoded by the VP5313/VP5513. Two status bits are provided (in CC_CTL), which are set high when data is written to the registers and set low when the data has been encoded on the Luma signal. The data is cleared to zero in the Closed Caption shift registers after it has been encoded by the VP5313/VP5513. The next data bytes must be written to the registers when the status bit goes high, otherwise the Closed Caption data output will contain Null characters. If a transmission slot is missed (ie. no data received) the encoder will send Null characters. Null characters are invisible to a closed caption receiver. The MSB (bit 7) is the parity bit and is automatically added by the encoder.

Teletext

The Teletext function within the VP5313/VP5513 coordinates the insertion of teletext serial data into the luminance data stream and subsequently the composite video data stream.

The serial data is filtered prior to insertion to minimise the high frequency components and to reduce the jitter inherent in the digital data stream.

The lines in which teletext data are inserted are individually programmable for both even and odd fields. The insertion of teletext data will only be enabled if the format of the composite video is configured to be PAL-B,G,H,I,N and the teletext enable bit TTXEN is asserted.

For test purposes, the teletext function incorporates control logic to generate a serial clock cracker pattern in place of the normal teletext data. This test pattern is enabled when the TTX_PAT bit is asserted. There is no row coding used so it will not display on a TV.

The VP5313/VP5513 teletext interface comprises of a teletext request output, TTX_REQ, and a serial data input, TTX_DATA.

To ensure that the composite video timing requirements are satisfied, the serial data must be received at a specific point in time during lines containing teletext data. The teletext request output, TTX_REQ, will be asserted to indicate when data must be applied to TTX_DATA, which must be generated synchronous to the rising edges of PXCK. The TTX_REQ may be advanced in multiples of PXCK, to compensate for the latency within the source device, by writing to the TTXDD register.

The serial teletext data which is applied to the TTX_DATA input must obey the sequence defined below.

The teletext bit rate is defined to be 6.9375 MHz, which equates to 444 times the PAL line frequency (15.625 kHz). It is clear that for a 27 MHz system clock, a constant bit period cannot be achieved.

The horizontal line duration for PAL equates to 1728 CLK27M cycles and within each line there are 444 data bit periods. The duration of 37 data bits (the smallest number possible for an integer number of CLK27M cycles) therefore equates to 144 CLK27M cycles.

To ensure that the average bit rate is 6.9375 MHz, 33 in every 37 data bits will have a duration of 4 CLK27M cycles and 4 in every 37 data bits will have a duration of 3 CLK27M cycles. Of the first 37 data bits in each line, bits 10, 19, 28 and 37 will

have a duration of 3 CLK27M cycles. The sequence will be repeated for all subsequent 37 bit groups.

Master Reset

The VP5313/VP5513 must be initialised with **RESET**. This is an asynchronous, active low signal and must be active for a minimum of 200ns in order to reset the VP5313/VP5513. The device resets to line 64, start of horizontal sync (i.e. line blanking active). There is no on-chip power on reset circuitry.

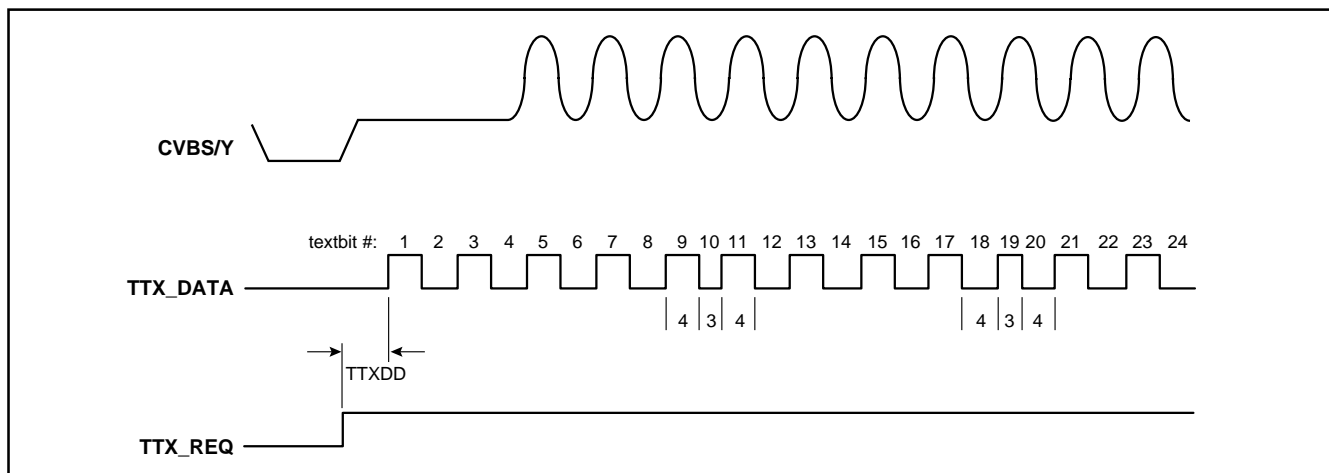


Figure 4 Teletext timing diagram

NCO Adjustment

Standard	Lines/field	Field freq. HZ	Number of pixels/line at 27MHz	Horizontal freq. kHz. f _H	Subcarrier freq. kHz. f _{sc}	f _{sc} /f _H	SC_ADJ register hex	FREQ2-0 registers hex
NTSC	525	59.94	1716	15.734266	3.57954545	(455/2)	xx	87 C1 F1
PAL-B, G, H, I (d)	625	50	1728	15.625000	4.43361875	(1135/4+1/625)	9C	A8 26 2B
PAL-N (Argentina)	625	50	1728	15.625000	3.58205625	(917/4+1/625)	57	87 DA 51

Table.2 Line, field and subcarrier standards and register settings

(d) = default
xx = don't care.

The calculation of the FREQ register value is according to the following formula:-

$$FREQ = 2^{26} \times f_{sc}/PXCK \text{ hex, where } PXCK = 27.00\text{MHz}$$

NTSC value is rounded UP from the decimal number. PAL-B, D, G, H, I and N (Argentina) are rounded DOWN. The SC_ADJ value is derived from the adjustment needed to be added after 8 fields to ensure accuracy of the Subcarrier frequency. Note the SC_ADJ value of 9C required for PAL-B, D, G, H, I.

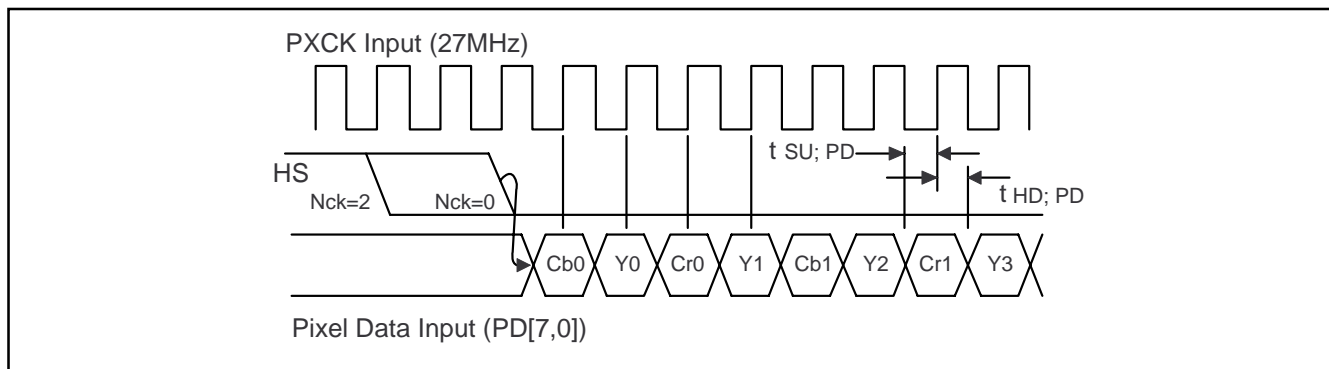


Figure 5 REC 656 interface with HS output timing

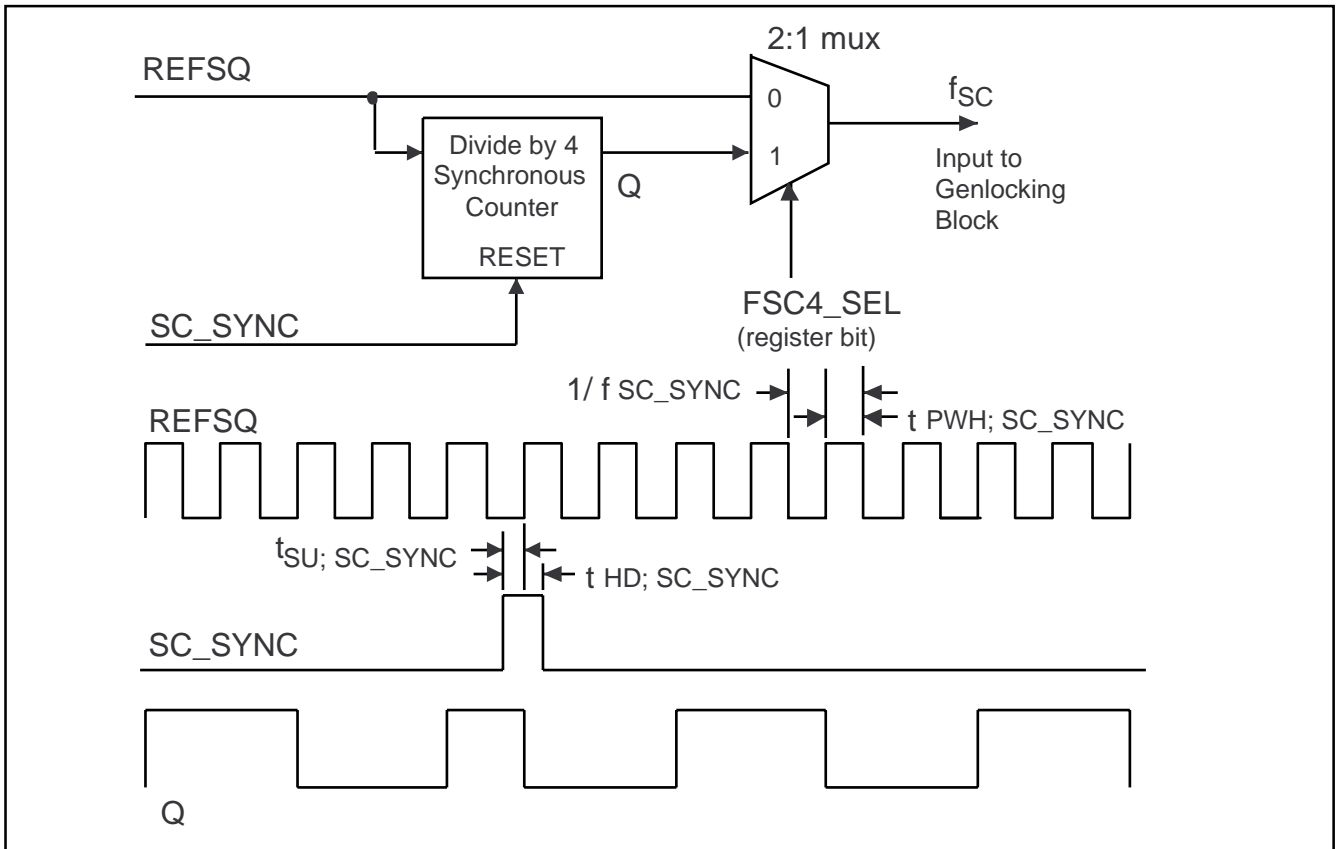


Figure 6 REFSQ and SC_SYNC input timing

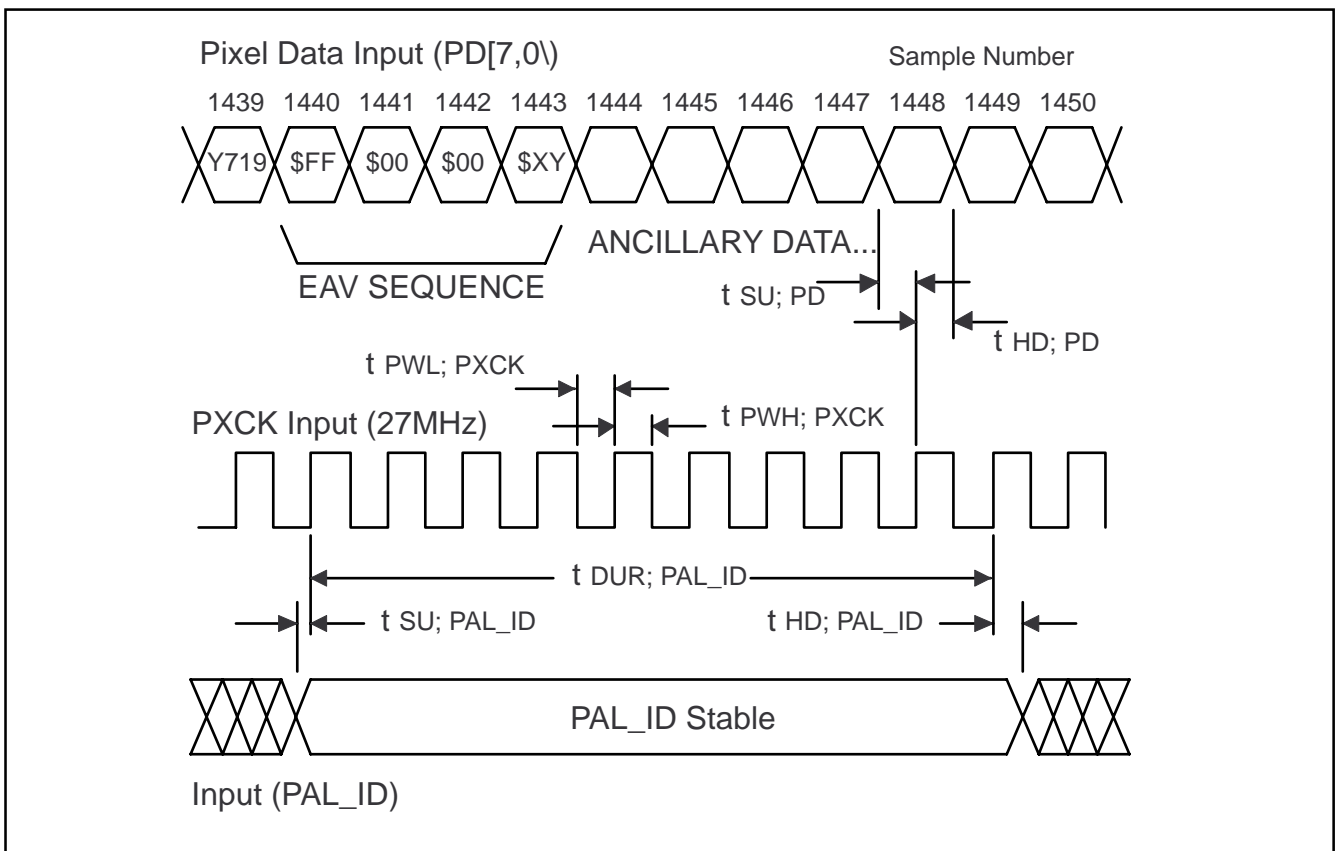


Figure 7 PAL_ID input timing

TIMING INFORMATION

Parameters	Conditions	Symbol	Min.	Typ.	Max.	Units
Master clock frequency (PXCK input)		fPXCK		27.0		MHz
PXCK pulse width, HIGH		tPWH; PXCK	10			ns
PXCK pulse width, LOW		tPWL; PXCK	14.5			ns
PXCK rise time	10% to 90% points	tRP			TBD	ns
PXCK fall time	90% to 10% points	tFP			TBD	ns
PD7-0 set up time		tSU;PD	10			ns
PD7-0 hold time		tHD;PD	5			ns
SCSYNC set up time		tSU;SC_SYNC	10			ns
SCSYNC hold time		tHD;SC_SYNC	0			ns
PALID set up time		tSU;PAL_ID	10			ns
PALID hold time		tHD;PAL_ID	0			ns
PALID duration		tDUR;PAL_ID	9			PXCK periods
Output delay	PXCK to COMPSYNC PXCK to CLAMP	tdos			25	ns

Note: Timing reference points are at the 50% level. Digital C_{LOAD} <40pF.

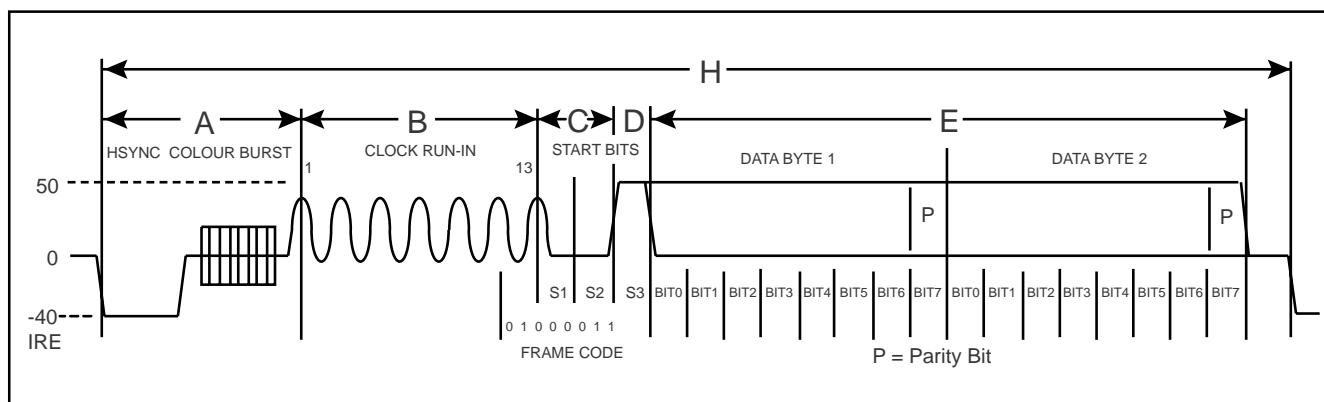


Figure 8 Closed Caption format

Interval	Description	Encoder minimum	Encoder nominal	Encoder maximum
A	H-sync to clock run-in	10.250 μ s	10.500 μ s	10.750 μ s
B	Clock run-in ^{2,3}		6.5D (12.910 μ s)	
C	Clock run-in to third start bit ³		2.0D (3.972 μ s)	
D	Data bit ^{1,3}		1.0D (1.986 μ s)	
E	Data characters ⁴		16.0D (31.778 μ s)	
H	Horizontal line ¹		32.0D (63.556)	
	Rise / fall time of data bit transitions ⁵		0.240 μ s	0.288 μ s
	Data bit high (logic level one) ⁶	48 IRE	50 IRE	52 IRE
	Clock run-in maximum			
	Data bit low (logic level zero) ⁶	0 IRE	0 IRE	2 IRE
	Clock run-in minimum			
	Data bit differential (high - low)	48 IRE	50 IRE	52 IRE
	Clock run-in differential (max. - min)			

Table 5 Closed Caption data timing. (source EIA R - 4.3 Sept 16 1992)

Notes

1. The Horizontal line frequency f_H is nominally 15734.26Hz \pm 0.05Hz. Interval D shall be adjusted to $D = 1/(f_H \times 32)$ for the instantaneous f_H at line 21.
2. The clock run-in signal consists of 7.0 cycles of a 0.5034965MHz (1/D) sine wave when measured from the leading to trailing 0 IRE points. The sine wave is to be symmetrical about the 25 IRE level.
3. The negative going midpoints (half amplitude) of the clock run-in shall be coherent with the midpoints (half amplitude) of the Start and Data bit transitions.
4. Two characters, each consisting of 7 data bits and 1 odd parity bit.
5. 2 T Bar, measured between the 10% and 90% amplitude points.
6. The clock run-in maximum level shall not differ from the data bit high level by more than ± 1 IRE. The clock run-in minimum level shall not differ from the data bit low level by more than ± 1 IRE.

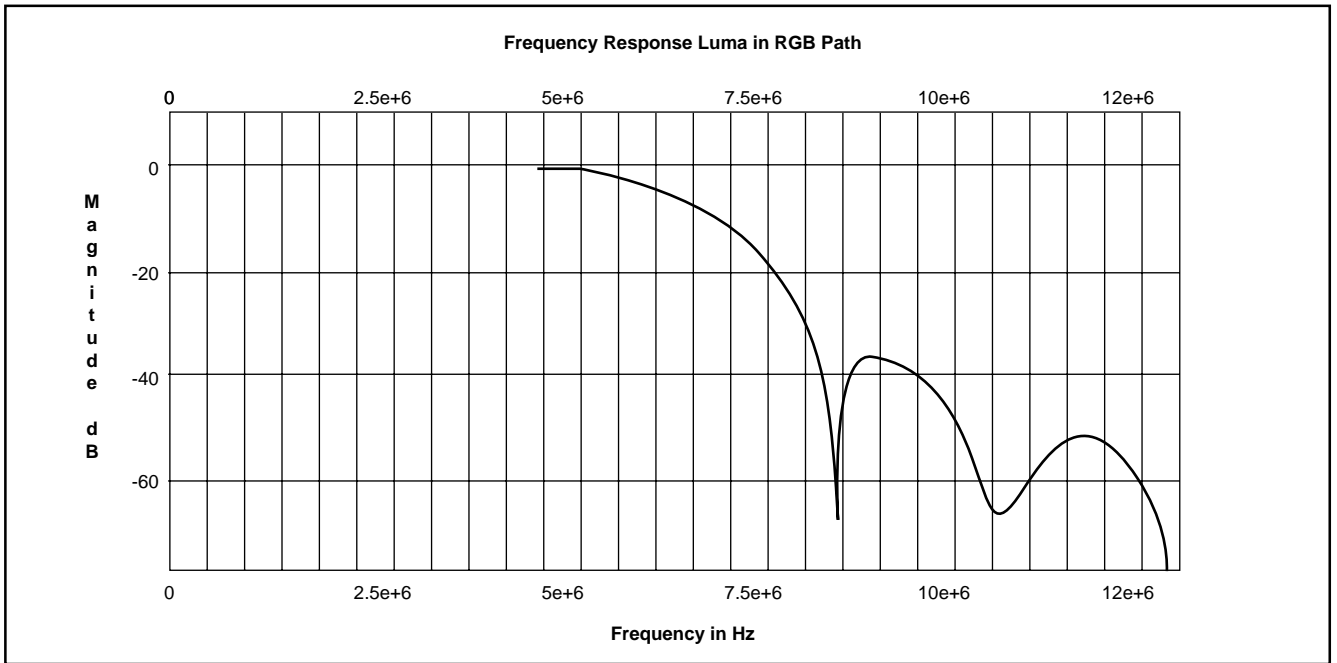


Figure 9 Luma filter for RGB datapath

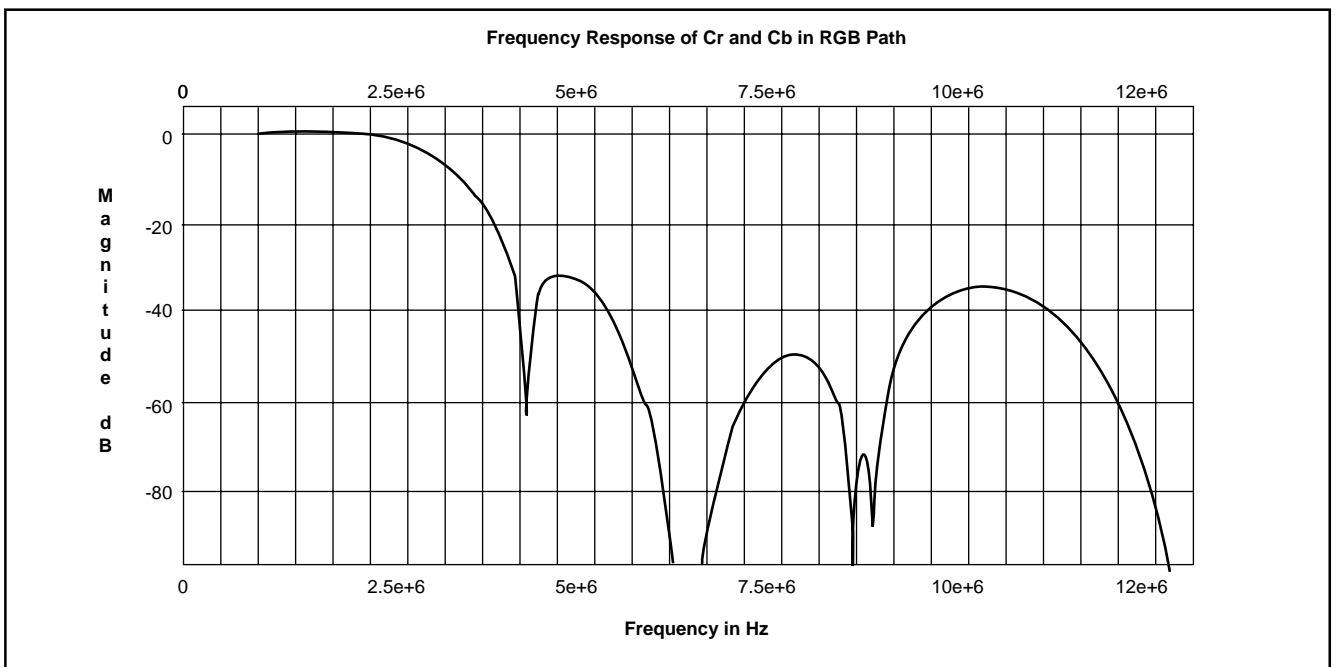


Figure 10 Chroma filter for RGB datapath

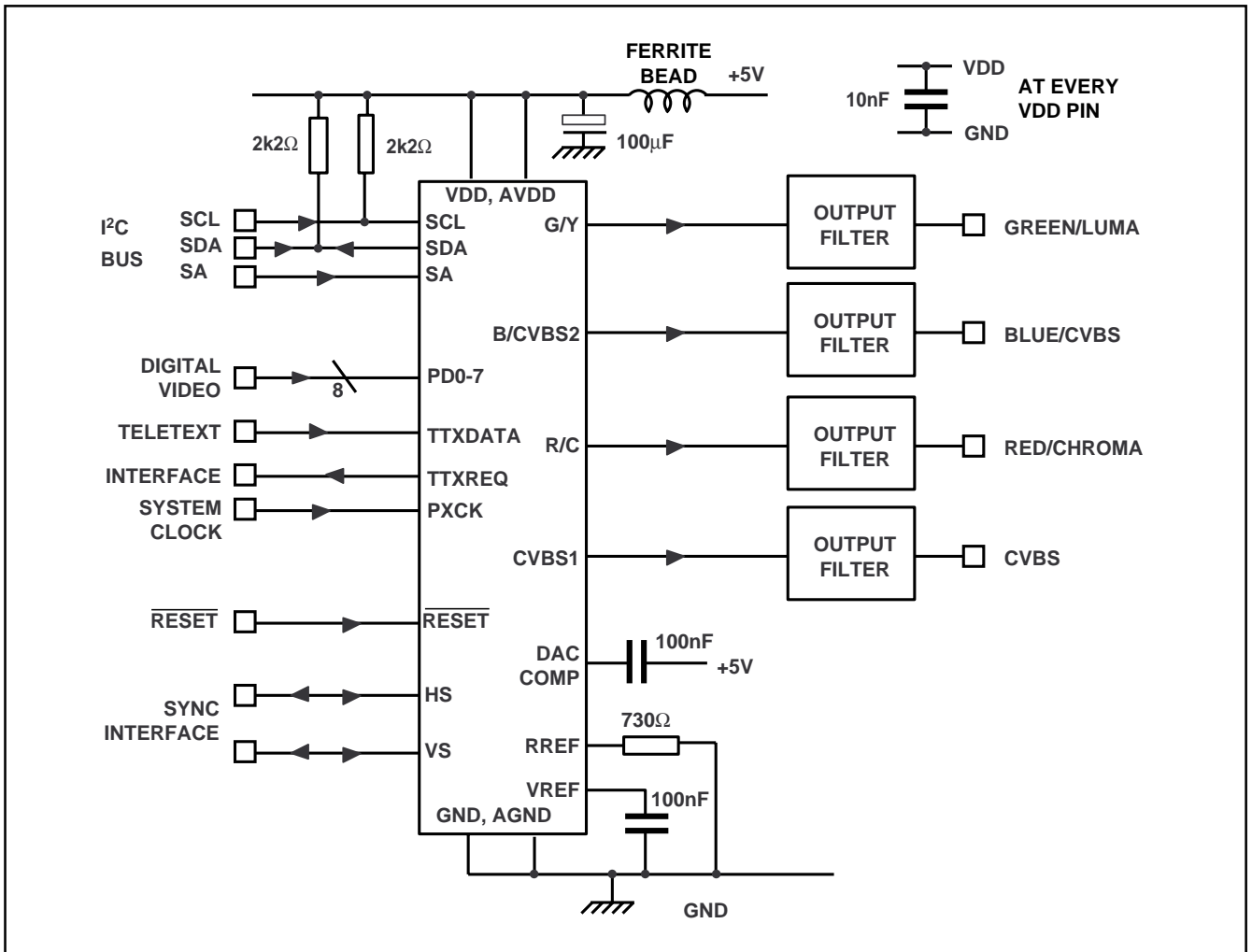


Figure 11 Typical application diagram. (Output filter - see Fig.12) to drive 37.5ohms

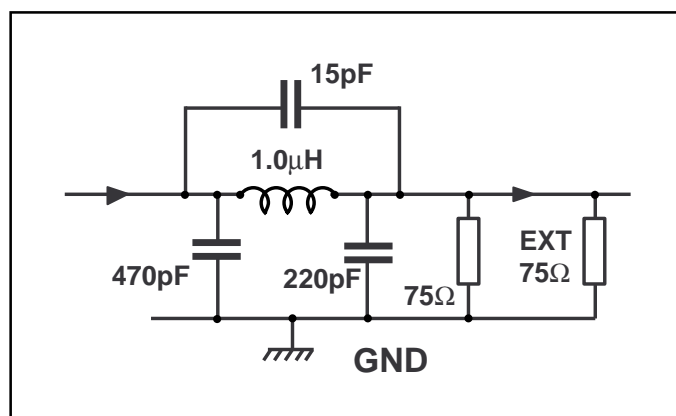


Figure 12 Output reconstruction filter

Note:

The VP5313 is only available to customers with a valid and existing authorisation to purchase issued by MACROVISION CORPORATION.

This device is protected by U.S. patent numbers 4631603, 4577216 and 4819098 and other intellectual property rights. Use of the Macrovision anticopy process in the device is licensed by Macrovision for non-commercial, home and limited exhibition uses only. Reverse engineering or disassembly is prohibited.



**For more information about all Zarlink products
visit our Web Site at
www.zarlink.com**

Information relating to products and services furnished herein by Zarlink Semiconductor Inc. trading as Zarlink Semiconductor or its subsidiaries (collectively "Zarlink") is believed to be reliable. However, Zarlink assumes no liability for errors that may appear in this publication, or for liability otherwise arising from the application or use of any such information, product or service or for any infringement of patents or other intellectual property rights owned by third parties which may result from such application or use. Neither the supply of such information or purchase of product or service conveys any license, either express or implied, under patents or other intellectual property rights owned by Zarlink or licensed from third parties by Zarlink, whatsoever. Purchasers of products are also hereby notified that the use of product in certain ways or in combination with Zarlink, or non-Zarlink furnished goods or services may infringe patents or other intellectual property rights owned by Zarlink.

This publication is issued to provide information only and (unless agreed by Zarlink in writing) may not be used, applied or reproduced for any purpose nor form part of any order or contract nor to be regarded as a representation relating to the products or services concerned. The products, their specifications, services and other information appearing in this publication are subject to change by Zarlink without notice. No warranty or guarantee express or implied is made regarding the capability, performance or suitability of any product or service. Information concerning possible methods of use is provided as a guide only and does not constitute any guarantee that such methods of use will be satisfactory in a specific piece of equipment. It is the user's responsibility to fully determine the performance and suitability of any equipment using such information and to ensure that any publication or data used is up to date and has not been superseded. Manufacturing does not necessarily include testing of all functions or parameters. These products are not suitable for use in any medical products whose failure to perform may result in significant injury or death to the user. All products and materials are sold and services provided subject to Zarlink's conditions of sale which are available on request.

Purchase of Zarlink's I²C components conveys a licence under the Philips I²C Patent rights to use these components in an I²C System, provided that the system conforms to the I²C Standard Specification as defined by Philips.

Zarlink and the Zarlink Semiconductor logo are trademarks of Zarlink Semiconductor Inc.

Copyright 2002, Zarlink Semiconductor Inc. All Rights Reserved.

TECHNICAL DOCUMENTATION - NOT FOR RESALE
