



Features

- Available in E12 series
- Unit height of 2.2 mm
- Current up to 1.5 A
- High Q level
- Lead free version available (see How to Order)
- Lead free versions are RoHS compliant*

Applications

- Input/output of DC/DC converters
- Power supplies for:
 - Portable communication equipment
 - Camcorders
 - LCD TVs
 - Car radios

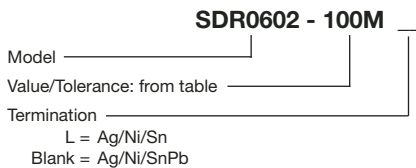
SDR0602 Series - SMD High Power Inductor

Electrical Specifications

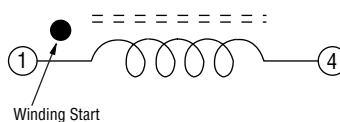
Bourns Part No.	Inductance 1kHz		Q Ref.	Test Frequency (MHz)	SRF Min. (MHz)	RDC (Ω)	I rms Max. (A)	I sat Typ. (A)
	(μH)	Tol. %						
SDR0602-2R7M	2.7	± 20	20	7.96	40	0.12	1.50	2.10
SDR0602-3R9M	3.9	± 20	20	7.96	40	0.13	1.40	1.90
SDR0602-4R7M	4.7	± 20	20	7.96	35	0.15	1.30	1.80
SDR0602-5R6M	5.6	± 20	18	7.96	30	0.17	1.20	1.60
SDR0602-6R8M	6.8	± 20	18	7.96	28	0.18	1.15	1.55
SDR0602-8R2M	8.2	± 20	15	7.96	27	0.20	1.10	1.43
SDR0602-100M	10	± 20	50	2.52	25	0.24	1.00	1.32
SDR0602-120M	12	± 20	45	2.52	21	0.26	0.90	1.17
SDR0602-150M	15	± 20	45	2.52	20	0.28	0.80	1.10
SDR0602-180M	18	± 20	45	2.52	18	0.30	0.75	1.07
SDR0602-220M	22	± 20	45	2.52	16	0.40	0.70	0.90
SDR0602-270M	27	± 20	40	2.52	15	0.45	0.65	0.83
SDR0602-330K	33	± 10	35	2.52	12	0.50	0.60	0.73
SDR0602-390K	39	± 10	32	2.52	12	0.65	0.55	0.68
SDR0602-470K	47	± 10	30	2.52	11	0.68	0.50	0.62
SDR0602-560K	56	± 10	30	2.52	10	0.78	0.45	0.57
SDR0602-680K	68	± 10	27	2.52	9	0.85	0.40	0.52
SDR0602-820K	82	± 10	27	2.52	8	1.30	0.35	0.46
SDR0602-101K	100	± 10	50	0.796	7	1.52	0.32	0.42
SDR0602-121K	120	± 10	50	0.796	6	1.65	0.30	0.38
SDR0602-151K	150	± 10	60	0.796	6	2.00	0.26	0.24
SDR0602-181K	180	± 10	55	0.796	5	2.30	0.23	0.32
SDR0602-221K	220	± 10	55	0.796	5	2.50	0.20	0.29
SDR0602-271K	270	± 10	55	0.796	4	2.85	0.18	0.26
SDR0602-331K	330	± 10	55	0.796	4	3.80	0.16	0.22
SDR0602-391K	390	± 10	55	0.796	3	4.20	0.15	0.20
SDR0602-471K	470	± 10	55	0.796	3	5.00	0.14	0.18
SDR0602-561K	560	± 10	55	0.796	3	6.20	0.12	0.14

Multiple winding possible (up to two windings).

How to Order



Electrical Schematic



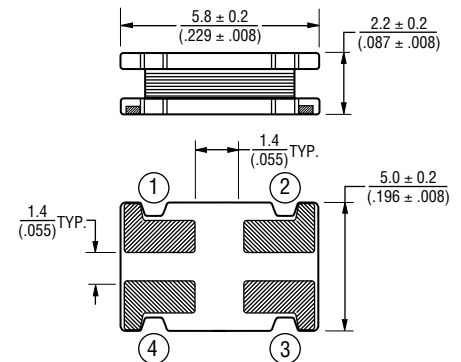
General Specifications

Test Voltage1 Volt
 Reflow Soldering260 °C, 50 sec max.
 Operating Temperature ..-40 °C to +125 °C
 (Temperature rise included)
 Storage Temperature ..-40 °C to +125 °C
 Packaging800 pcs. per reel
 Resistance to Soldering Heat
260 °C for 5 sec.

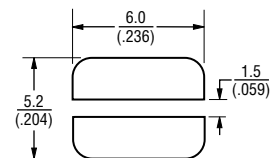
Materials

Core Material.....Ferrite DQ
 WireEnamelled Copper
 TerminalSee How to Order
 Rated Current ...Ind. drop 10 % typ. at Isat
 Temperature Rise ...40 °C max at rated I rms

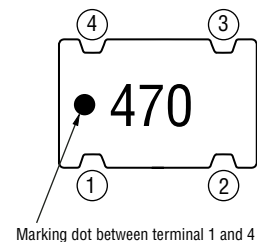
Product Dimensions



Recommended Layout



Typical Part Marking



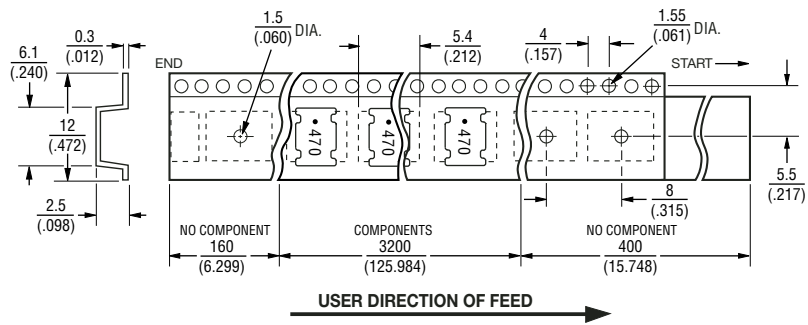
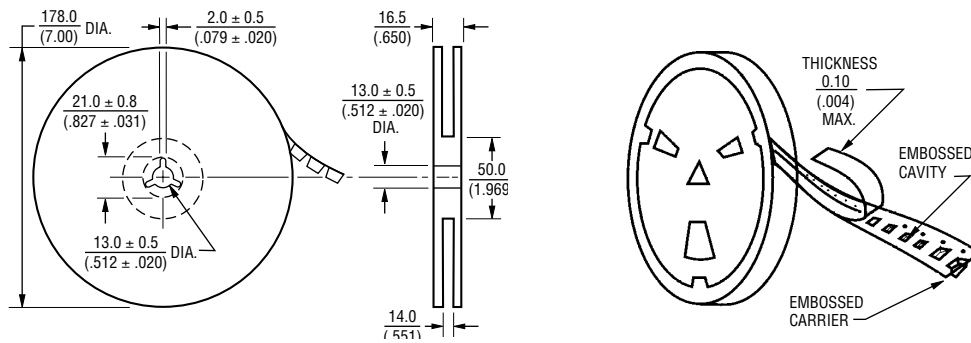
DIMENSIONS: $\frac{\text{MM}}{\text{(INCHES)}}$

*RoHS Directive 2002/95/EC Jan 27 2003 including Annex
 Specifications are subject to change without notice.
 Customers should verify actual device performance in their specific applications.

SDR0602 Series - SMD Power Inductors

BOURNS®

Packaging Specifications



DIMENSIONS: $\frac{\text{MM}}{\text{(INCHES)}}$