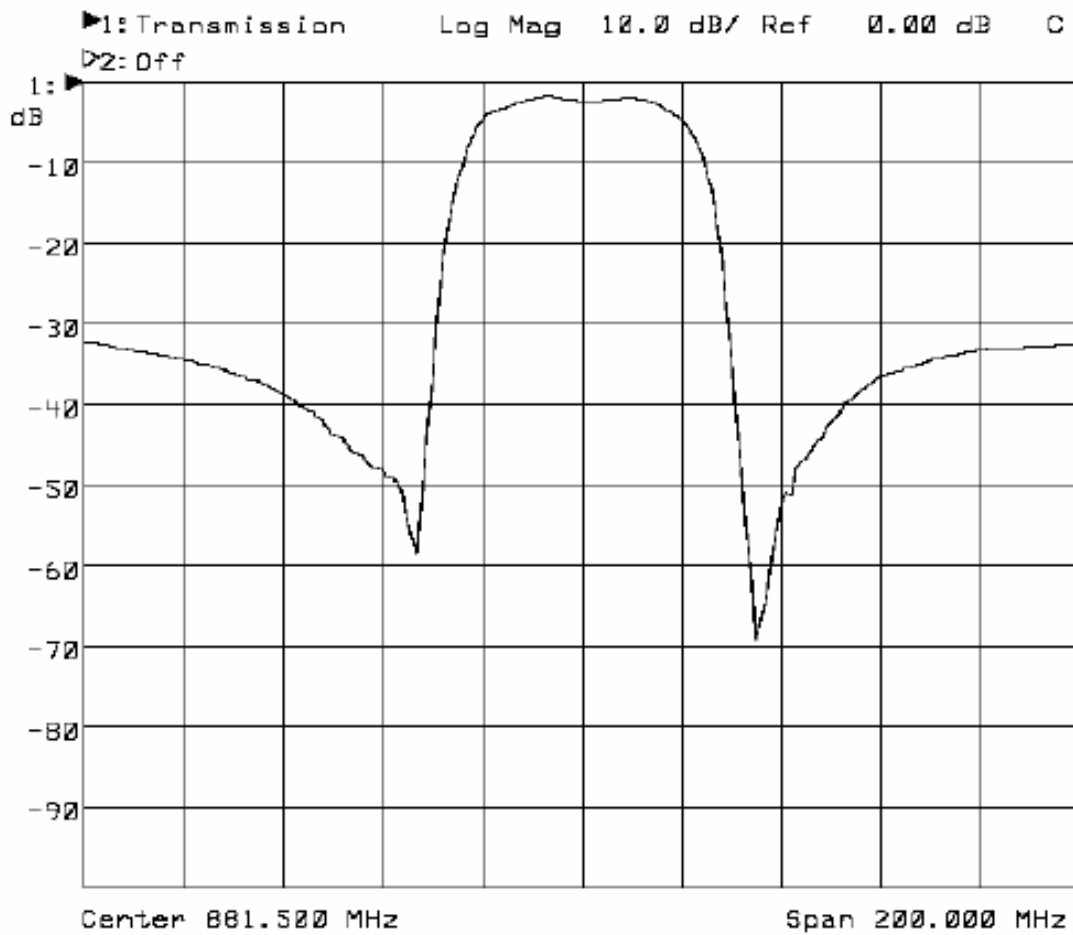




## DESCRIPTION

Miniature 869 to 894 MHz surface acoustic wave (SAW) bandpass filter in a 3.0x3.0 mm LCC package to be used as an RF front end filter in cellular phone equipment.

## TYPICAL PERFORMANCE





## MAXIMUM RATINGS

Parameter	Min	Max	Units
Operating Temperature Range	-40	+85	°C
Storage Temperature Range	-40	+85	°C
Input Power Level		+23	dBm
Max. D. C. Voltage between Each Terminal		10	V

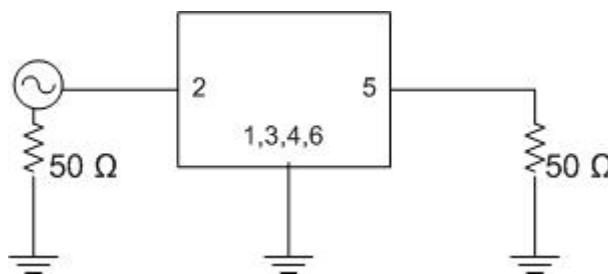
## SPECIFICATION

Parameter	Min	Typ	Max	Units
Center Frequency $F_c$		881.5		MHz
Bandwidth	25			MHz
Insertion Loss <sup>1</sup>			3.0	dB
Passband Amplitude Ripple <sup>1</sup>			1.8	dB
Stopband Rejection <sup>2</sup> , DC to 800 MHz	20			dB
Stopband Rejection <sup>2</sup> , 824 to 869 MHz	35			dB
Stopband Rejection <sup>2</sup> , 978 to 106 MHz	25			dB
Stopband Rejection <sup>2</sup> , 1088 to 1119 MHz	30			dB
Stopband Rejection <sup>2</sup> , 1119 to 2600 MHz	20			dB
Return Loss <sup>1</sup>	10			dB
Terminating Impedance		50		$\Omega// 0nF$

Notes: 1. Within passband: 869 to 894 MHz MHz  
2. Rejection relative to insertion loss

## TEST CIRCUIT

50 ohm single-ended  
No matching circuit required

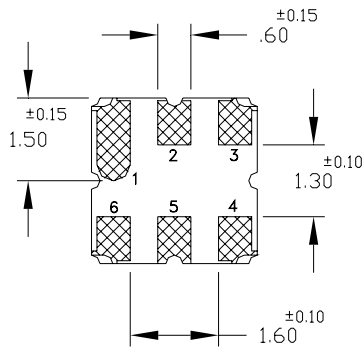
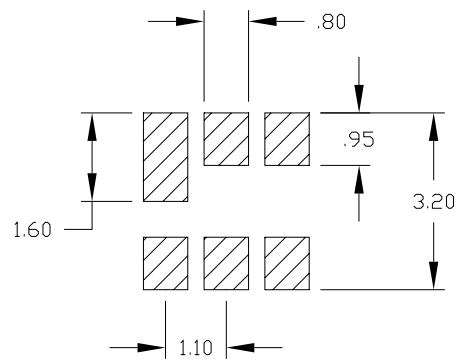
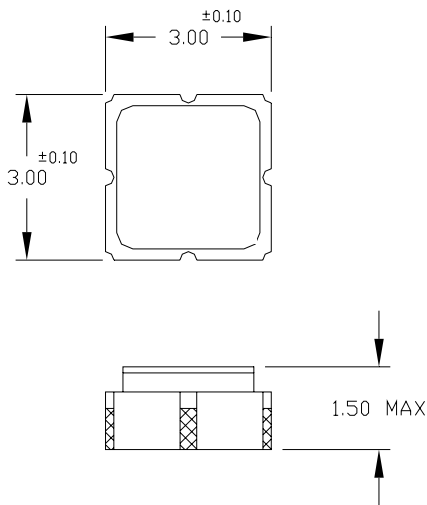




**PACKAGE OUTLINE AND SUGGESTED PCB FOOTPRINT**

3.0 X 3.0 MM, SMP

SUGGESTED PCB FOOTPRINT



PIN NO.	DESCRIPTION
2	INPUT
5	OUTPUT
1, 3, 4, 6	GROUND

NOTES:  
DIMENSIONS IN MM

All specifications are believed to be accurate and reliable. However, ICS reserves the right to make changes without notice.  
© 2005 Integrated Circuit Systems, Inc. All rights reserved.