

# SCHOTTKY BARRIER DIODE

**DESCRIPTION:**

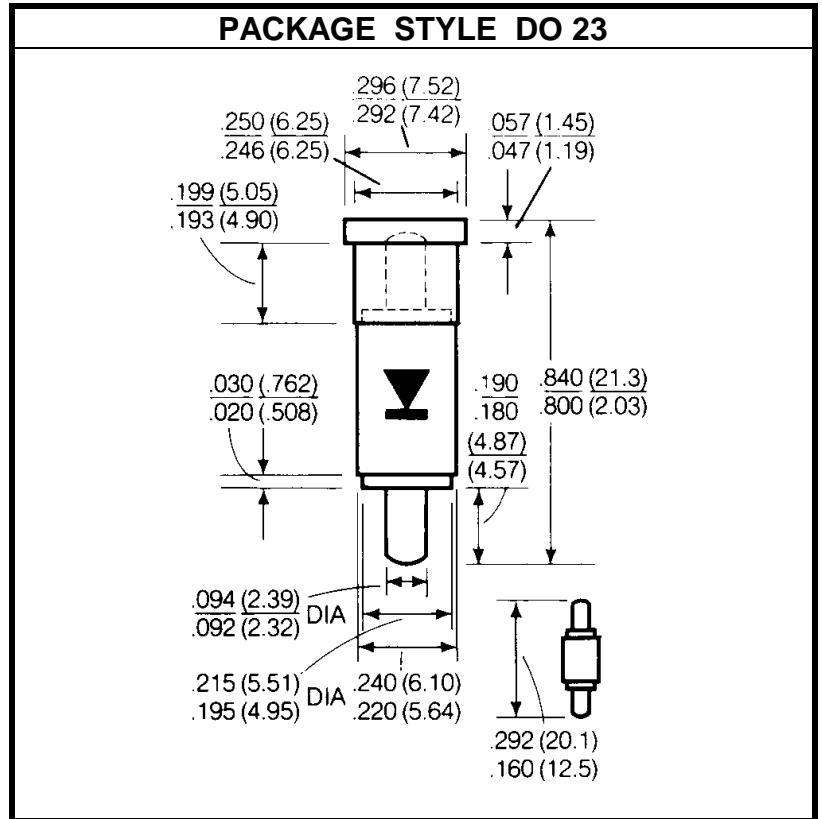
The **ASI DMC6224** is a Silicon Schottky Diode, Low Audio Noise for use in Slow Speed Motion Detector Applications up to 40 GHz

**FEATURES INCLUDE:**

- Uniform characteristics.
- Bonded Junctions for reliability.
- Low turn On for Starved L.O. Applications

**MAXIMUM RATINGS**

T <sub>J</sub>	-55 °C to +150 °C
T <sub>STG</sub>	-65 °C to +200 °C



**CHARACTERISTICS** T<sub>C</sub> = 25 °C

SYMBOL	TEST CONDITIONS	MINIMUM	TYPICAL	MAXIMUM	UNITS
ANr	f = 8.0 Hz to 60 KHz			6.0	dB
NF	N = 1.5 dB			7.5	dB
Z <sub>IF</sub>	Nominal range (not specified)	335		465	Ω
VSRW	L.O. power 1.0 mW f = 9.38 GHz			1.5	---