

Single In-Line Telephone Line Interfaces for Europe

Description

Xecom's XE10X0 Single In-Line telephone interfaces offer complete, highly compact telephone interfaces for Europe, Japan and North America.

The XE10X0 family includes six models. Each meets the regulatory requirements for connection to the telephone network in one or more countries. A common single in-line package provides maximum flexibility in component placement and permits world-wide connectivity from one, simple circuit board layout.

XE1030 complies with the requirements of several European countries including the United Kingdom. It supplies 3750 volts isolation from the telephone line and has BABT, UL and CSA approval.

XE1040 provides the circuitry to connect to the German telephone network. It includes the 16 Khz Meter Tone Filter and 3750 volts isolation. The XE1040 also has BABT approval.

XE1050 meets French telephone network requirements. It includes BABT approval, over current protection on both tip and ring, and provides 3750 volt isolation.

XE1060 meets telecom requirements for North America and Japan. It provides 1500 volts isolation from the telephone network and is FCC part 68 compliant.

XE1070 provides a connection to the Italian telephone network. XE1070 includes BABT approval and provides 3750 volt isolation.

XE1080 connects to the Spanish telephone network. XE1080 includes BABT approval and provides 3750 volt isolation.

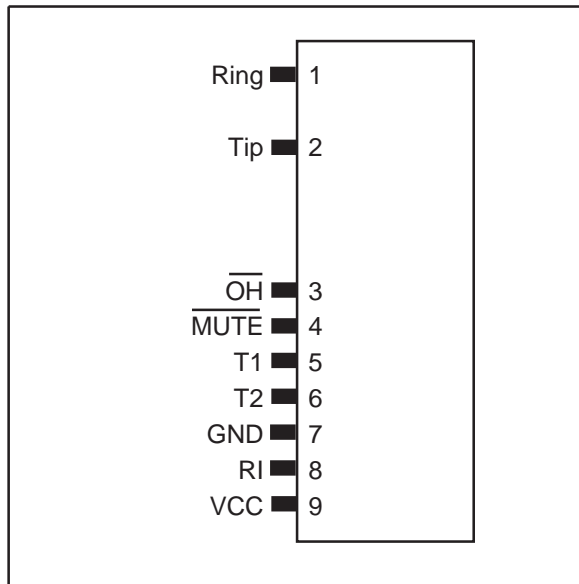
Features

- * Small Size: 1.6" by 0.5" by 0.45";
- * EN41003 Compliant;
- * Ring Detection;
- * Internal hookswitch;
- * Single +5V Operation;
- * 3750 Volts RMS Isolation, 1500 Volts on XE1060;
- * V.34.bis compatibility, 33.6 KBPS data transfer;

Models

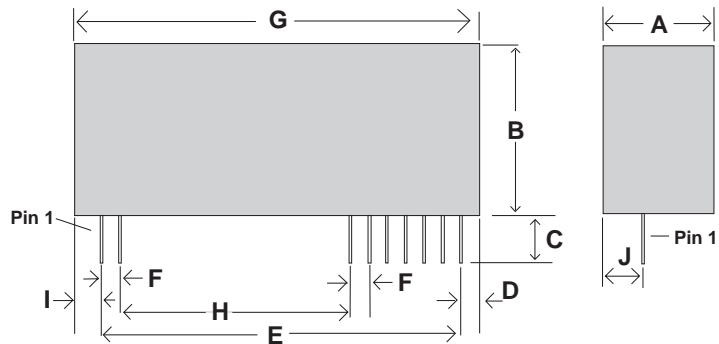
- * XE1030 for the UK;
- * XE1040 for Germany;
- * XE1050 for France;
- * XE1060 for US, Canada, and Japan;
- * XE1070 for Italy;
- * XE1080 for Spain

XE10X0 Pin Configuration



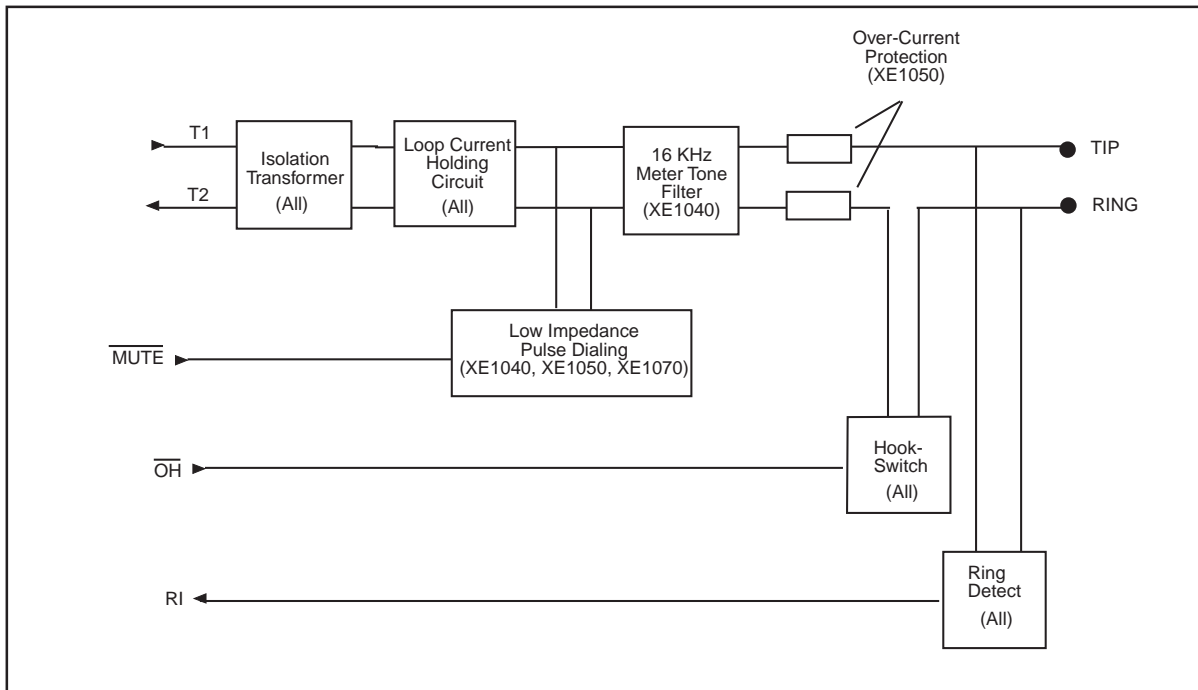
XE10X0 Mechanical Specifications

Dim	Inches		Millimeters	
	Min	Max	Min	Max
A	0.420	0.460	10.80	11.56
B	0.490	0.530	12.45	13.46
C	0.120	0.140	3.05	3.56
D	0.015	0.035	0.38	0.89
E	1.410	1.440	35.81	36.58
F	0.040	0.060	1.02	1.52
G	1.590	1.630	40.39	41.40
H	1.070	1.080	27.18	27.43
I	0.040	0.060	1.02	1.52
J	0.100	0.140	2.54	3.56
K	0.300	0.340	7.62	8.64



Pin Size: 0.018" square
All pins tin-plated.

XE10X0 Block Diagram



Pin Descriptions

PIN	NAME	DESCRIPTION
1	Ring	Ring provides one half of the two-wire connection to the telephone line. Ring is isolated from all other circuitry. The XE1060 provides a 1500 Volt isolation barrier; the remaining XE10X0 models provide a 3750 volt isolation barrier. This isolation must be preserved throughout the system. This isolation can be maintained by selecting properly rated components and maintaining sufficient creepage and clearance distances.
2	Tip	Tip provides one half of the two-wire connection to the telephone line. Tip is isolated from all other circuitry. The XE1060 provides a 1500 Volt isolation barrier; the remaining XE10X0 models provide a 3750 volt isolation barrier. This isolation must be preserved throughout the system. This isolation can be maintained by selecting properly rated components and maintaining sufficient creepage and clearance distances.
3	/OH	/OH is an active low input to the XE10X0 DAA module. It controls the internal hookswitch. A low on OH closes the hookswitch and connects the equipment to the telephone line.
4	/MUTE	This active low input provides low impedance pulse dialing in the XE1040, XE1050, and XE1070. Presenting a low impedance to the telephone line during pulse dialing is required in many European countries including Germany, France and Italy.
5	T1	T1 provides half of the differential input/output connection to the secondary side of the internal telephone line transformer.
6	T2	T2 provides half of the differential input/output connection to the secondary side of the internal telephone line transformer.
7	GND	This pin provides ground reference for the RI, /OH and /Mute control lines. There is no connection between ground and the telephone line (primary) side of the XE10X0 DAA.
8	RI	Ring Indicate is an active high output from the DAA module. When a valid ring signal appears on Tip and Ring, the DAA provides a pulse train at ring frequency on RI.
9	VCC	This pin provides 5 volt DC power for the RI, /OH and /Mute control lines. There is no connection between VCC and the telephone line (primary) side of the XE10X0 DAA.

XE1030 Electrical Specifications ($V_{CC}=+5V \pm 10\%$, $T_a=0$ to 70 deg C)

Parameter	Conditions	Min	Typ	Max	Units
Power Supply Current	Off-Hook		10	15	mA
Transmit Insertion loss	600 Ohm Impedance, 1000 Hz		2	4	dB
Receive Insertion loss	600 Ohm Impedance, 1000 Hz		2	4	dB
Line Impedance	At 1000 Hz	540	600	660	Ohms
Coupler Match input impedance	Input impedance to T1 & T2 for 600 ohm line impedance		430 6.8		Ohms nFd
Ring Detect Sensitivity	Minimum Ring voltage detected as a valid ring signal	10		20	Vrms
RI Output Voltage	Ring present at Tip & Ring		4.2		Volts
Loop Current Switch Control Voltage	OFF: (on-hook) ON: (off-hook)	2.0	3.0 0.2	0.5	Volts Volts
OH Control Current	Off-Hook		5		mA
Telephone Loop Current	Off-Hook	10		120	mA

XE1040 Electrical Specifications ($V_{CC}=+5V \pm 10\%$, $T_a=0$ to 70 deg C)

Parameter	Conditions	Min	Typ	Max	Units
Power Supply Current	Off-Hook		10	15	mA
Transmit Insertion loss	600 Ohm Impedance, 1000 Hz		2	4	dB
Receive Insertion loss	600 Ohm Impedance, 1000 Hz		2	4	dB
Line Impedance	At 1000 Hz		Complex		
Coupler Match input impedance	Input impedance to T1 & T2 for complex line impedance		820 82		Ohms nFd
Ring Detect Sensitivity	Minimum Ring voltage detected as a valid ring signal		20		Vrms
RI Output Voltage	Ring present at Tip & Ring		4.2		Volts
Loop Current Switch Control Voltage	OFF: (on-hook) ON: (off-hook)	2.0	3.0 0.2	0.5	Volts Volts
OH Control Current	Off-Hook		5		mA
Telephone Loop Current	Off-Hook	10		60	mA

XE1050 Electrical Specifications *(V_{CC}=+5v ±10%, T_a=0 to 70 deg C)*

Parameter	Conditions	Min	Typ	Max	Units
Power Supply Current	Off-Hook		10	15	mA
Transmit Insertion loss	600 Ohm Impedance, 1000 Hz		2	4	dB
Receive Insertion loss	600 Ohm Impedance, 1000 Hz		2	4	dB
Line Impedance	At 1000 Hz	540	600	660	ohms
Coupler Match input impedance	Input impedance to T1 & T2 for 600 ohm line impedance		430 6.8		Ohms nFd
Ring Detect Sensitivity	Minimum Ring voltage detected as a valid ring signal		20		Vrms
RI Output Voltage	Ring present at Tip & Ring		4.2		Volts
Loop Current Switch Control Voltage	OFF: (on-hook) ON: (off-hook)	2.0	3.0 0.2	0.5	Volts Volts
OH Control Current	Off-Hook		5		mA
Telephone Loop Current	Off-Hook	10		45	mA

XE1060 Electrical Specifications *(V_{CC}=+5v ±10%, T_a=0 to 70 deg C)*

Parameter	Conditions	Min	Typ	Max	Units
Power Supply Current	Off-Hook		10	15	mA
Transmit Insertion loss	600 Ohm Impedance, 1000 Hz		2	4	dB
Receive Insertion loss	600 Ohm Impedance, 1000 Hz		2	4	dB
Line Impedance	At 1000 Hz	540	600	660	ohms
Coupler Match input impedance	Input impedance to T1 & T2 for 600 ohm line impedance		340		Ohms
Ring Detect Sensitivity	Minimum Ring voltage detected as a valid ring signal		20	38	Vrms
RI Output Voltage	Ring present at Tip & Ring		4.2		Volts
Loop Current Switch Control Voltage	OFF: (on-hook) ON: (off-hook)	2.0	3.0 0.2	0.5	Volts Volts
OH Control Current	Off-Hook		5		mA
Telephone Loop Current	Off-Hook	10		100	mA

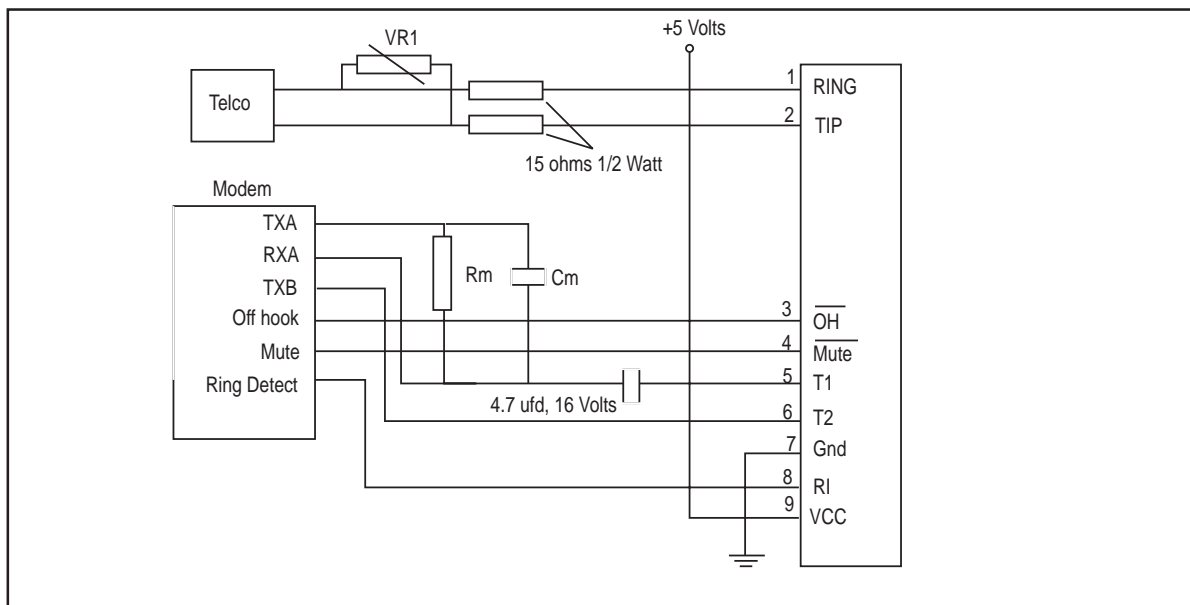
XE1070 Electrical Specifications *(V_{CC}=+5v ±10%, T_a=0 to 70 deg C)*

Parameter	Conditions	Min	Typ	Max	Units
Power Supply Current	Off-Hook		10	15	mA
Transmit Insertion loss	600 Ohm Impedance, 1000 Hz		2	4	dB
Receive Insertion loss	600 Ohm Impedance, 1000 Hz		2	4	dB
Line Impedance	At 1000 Hz	540	600	660	ohms
Coupler Match input impedance	Input impedance to T1 & T2 for 600 ohm line impedance		430 6.8		Ohms nFd
Ring Detect Sensitivity	Minimum Ring voltage detected as a valid ring signal	15			Vrms
RI Output Voltage	Ring present at Tip & Ring		4.2		Volts
Loop Current Switch Control Voltage	OFF: (on-hook) ON: (off-hook)	2.0	3.0 0.2	0.5	Volts Volts
OH Control Current	Off-Hook		5		mA
Telephone Loop Current	Off-Hook	10		120	mA

XE1080 Electrical Specifications *(V_{CC}=+5v ±10%, T_a=0 to 70 deg C)*

Parameter	Conditions	Min	Typ	Max	Units
Power Supply Current	Off-Hook		10	15	mA
Transmit Insertion loss	600 Ohm Impedance, 1000 Hz		2	4	dB
Receive Insertion loss	600 Ohm Impedance, 1000 Hz		2	4	dB
Line Impedance	At 1000 Hz	540	600	660	ohms
Coupler Match input impedance	Input impedance to T1 & T2 for 600 ohm line impedance		430 6.8		Ohms nFd
Ring Detect Sensitivity	Minimum Ring voltage detected as a valid ring signal		20		Vrms
RI Output Voltage	Ring present at Tip & Ring		4.2		Volts
Loop Current Switch Control Voltage	OFF: (on-hook) ON: (off-hook)	2.0	3.0 0.2	0.5	Volts Volts
OH Control Current	Off-Hook		5		mA
Telephone Loop Current	Off-Hook	10		120	mA

Typical Connection Diagram



Rm and CM provide the impedance match with the telephone line. These values are country dependent. The chart below show the correct Rm and Cm values and correct XE10X0 model for various countries. VR1 provides protection from voltage surges on the telephone line. The table below show the recommended breakdown voltage for VR1.

Country	Model	Rm Value	Cm Value	VR1	Comments
Canada	XE1060	340 ohms	-	250 V	600 Ohm Line impedance
France	XE1050	430 ohms	6.8 nFd	250 V	600 Ohm Line impedance
Germany	XE1040	820 ohms	-	250 V	Complex Line Impedance
Italy	XE1070	430 ohms	6.8 nFd	250 V	600 Ohm Line impedance
Japan	XE1060	340 ohms	-	250 V	600 Ohm Line impedance
Spain	XE1080	430 ohms	6.8 nFd	250 V	600 Ohm Line impedance
United Kingdom (B)	XE1030	430 ohms	6.8 nFd	250 V	600 Ohm Line impedance
USA	XE1060	340 ohms	-	250 V	600 Ohm Line impedance

ABSOLUTE MAXIMUM RATINGS

Maximum Storage Temperature	-25°C to +85°C
Maximum Operating Temperature Range	0°C to +70°C
Maximum Lead Temperature (soldering 2 seconds per wave)	260°C

Terms of Sale

Devices sold by XECOM are covered by the warranty provisions appearing in its Terms of Sale only. XECOM makes no warranty, express, statutory, implied, or by description regarding the information set forth herein, or regarding the freedom of the described devices from patent infringement. XECOM makes no warranty of merchantability or fitness for any purposes. XECOM reserves the right to discontinue production and change specifications and prices at any time and without notice. This product is intended for use in normal commercial applications. Applications requiring extended temperature range, unusual environmental requirements, or high reliability applications, such as military, medical life-support or life-sustaining equipment, are specifically not recommended without additional processing and authorization by XECOM for such application.

Xecom assumes no responsibility for the use of any circuitry other than circuitry embodied in a Xecom product. No other circuits, patents, or licenses are implied.

Life Support Policy

Xecom's products are not authorized for use as Critical Components in Life Support Devices or Systems.

Life Support Devices or Systems are devices or systems which, (a) are intended for surgical implant into the body, or (b) support or sustain life, and whose failure to perform, when properly used in accordance with instructions provided in the labeling, can be reasonably expected to result in significant injury to the user.

A Critical Component is any component of a life support device or system whose failure to perform can be reasonably expected to cause failure of the life support device or system, or to affect its safety or effectiveness.

Copyright, Xecom © 1998

While Xecom, Inc. has made every effort to ensure that the information presented here is accurate, Xecom will not be liable for any damages arising from errors or omission of fact. Xecom reserves the right to modify specifications and/or prices without notice. Product mentioned herein are used for identification purposes only and may be trademarks and/or registered trademarks of their respective companies.



Xecom Incorporated
374 Turquoise Street, Milpitas, CA 95035
Ph:408-945-6640 Fax:408-942-1346