

AC / DC converter unit

BP5034A24

The BP5034A24 is an AC / DC converter which can be used to supply direct current (+24V, DC 50mA) voltage from a commercial power supply (100V AC) with a small number of attachments. Using this unit enables simple, easy drive of sets using microcomputers, without using a transformer. It also allows the board in the set to be kept compact and lightweight.

●Applications

Power supplies of electric rice cookers and hot water pots, irons, electric carpets and other small household appliances; power supplies of illumination devices, fire and smoke alarms, sensors, and other warning devices

●Features

- 1) Smaller and lighter weight than transformer systems.
- 2) Wide input voltage range. (80 to 120V for AC voltage conversion, 113 to 170V for DC voltage input)
- 3) DC voltage source (24V, 50mA) can be easily configured, with few attachments.
- 4) Since no transformer is used, the power supply board is less vulnerable to splitting or cracking from impact or shock.
- 5) Hybridization of the IC simplifies the manufacturing process for power supply circuit boards, and improves mass production capability of sets.

●Absolute maximum ratings (Ta = 25°C)

Parameter	Symbol	Limits	Unit
Power supply voltage	V _{CC}	170	V
Output current	I _o	50	mA
Operating temperature	T _{opr}	-25~+80	°C
Storage temperature	T _{stg}	-25~+105	°C

●Recommended operating conditions

Parameter	Symbol	Min.	Typ.	Max.	Unit
Power supply voltage	V _{CC}	113	141	170	V _(DC)

●Electrical characteristics (Ta = 25°C)

Parameter	Symbol	Min.	Typ.	Max.	Unit	Conditions
Input voltage	V_i	113	141	170	V	DC
Output voltage	V_o	22	24	26	V	$V_i=141V, I_o=25mA^{*1}$
Output current	I_o	0	—	50	mA	$V_i=141V$
Line regulation	V_r	—	0.02	0.1	V	$V_i=113V\sim170V, I_o=25mA$
Load regulation	V_l	—	0.05	0.15	V	$V_i=141V, I_o=0\sim25mA$
Output ripple voltage	V_p	—	0.05	0.15	V_{P-P}	$V_i=141V, I_o=25mA$
Power conversion efficiency	η	55	70	—	%	$V_i=141V, I_o=50mA^{*2}$

*1 Based on derating curve.

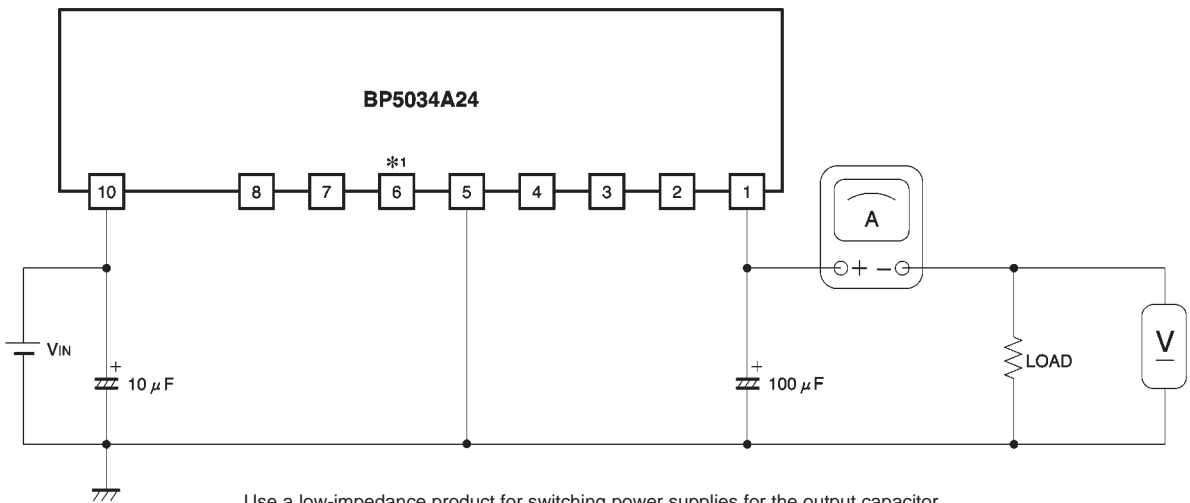
*2 Output ripple voltage does not include spike noise.

●Pin descriptions

Pin No.	Pin name
1	V_{OUT}
2	N.C.
3	Internal connection
4	N.C.
5	COMMON
6	COMMON *1
7	Internal connection
8	N.C.
10	V_{IN}

Pin 9 is removed.

●Measurement circuit



Use a low-impedance product for switching power supplies for the output capacitor.

Fig.1

*1 Pin 6 is the COMMON pin and is connected internally to pin 5. Use either both, or one or the other, as the COMMON pin. Keep open the other pins that are not used.

● Basic power supply circuit

Half wave rectification circuit

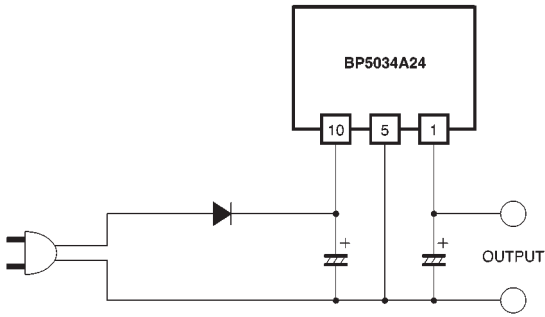


Fig.2

Full wave rectification circuit

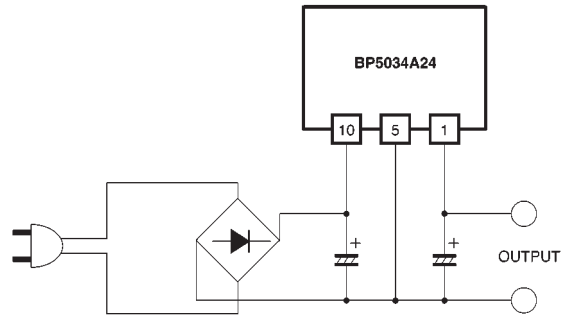


Fig.3

● Application example

Example using electric rice cooker

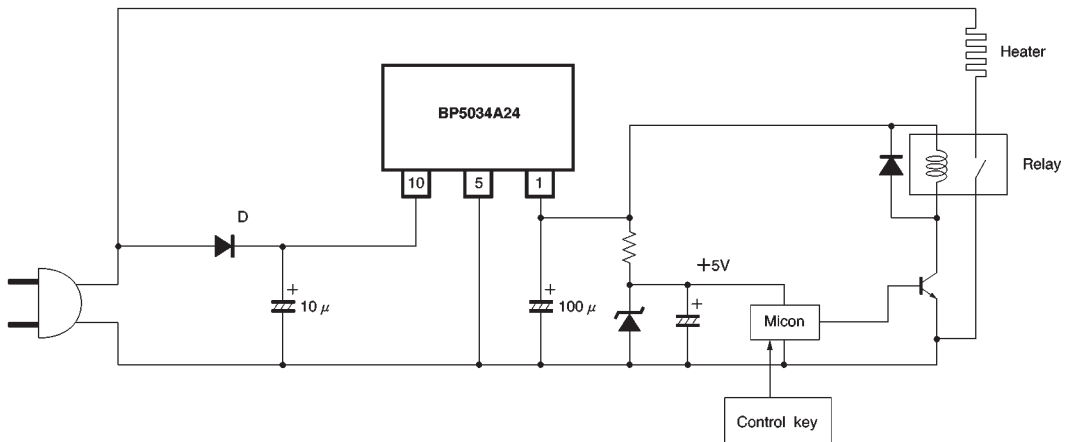


Fig.4

● Selecting attached components

(1) Diodes

The rectifying diodes used should fulfill the following conditions.

In the absolute maximum ratings, the reverse surge current should be 400V or higher, the average rectifying current should be 0.5A or higher, and the forward surge voltage should be 20A or higher. One example of a product which meets these standards is the 1SR35-400A.

(2) Capacitor for input voltage smoothing

A capacitor with a larger capacitance produces a more stable output voltage, but increases the surge current when the power supply is turned on. The capacitor should have a withstand resistance of at least 200V. Please refer to Figure 5 for examples of recommended capacitance values.

(3) Capacitor for output voltage smoothing

This capacitor should have a low ESR. Capacitors designed for low-impedance switching power supplies are especially suitable. The ESR of the capacitor affects the output ripple voltage. Please refer to the table below for the names of products made by various manufacturers.

Maker	Product
Nichicon	PJ series
Matsushita electric	Model A FA series

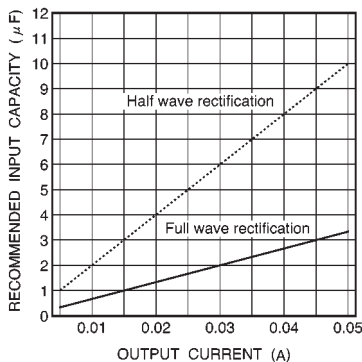


Fig.5 Recommended input capacity

● Operation notes

(1) The output current needs to be reduced as the ambient temperature rises.

(2) Lead pins should be securely soldered. If common pins are not securely connected, or pins which are connected internally but which are not used are connected to other pins, irregular voltages could be produced, causing breakdowns and damage.

(3) Over current and shorted circuit

The over current limit is a drooping model. At 25°C, if over current which exceeds the absolute maximum ratings is produced intermittently, or is produced continuously for a total of one minute or longer, the product is vulnerable to damage. If there is any danger of the load

being shorted or over current being produced, always use a protective device such as a fuse.

The fuse should have a fusion current of 0.5A.

(4) Avoid subjecting this product to strong impact.

(5) Regulations governing electrical products

As a stand-alone product, this product is not subject to regulations governing electrical appliances. Please be aware, therefore, that applications must be submitted for sets and not for individual products.

(6) Insulation

This product is not insulated on the primary and secondary sides, and there is a danger of electrical shock if it is touched.

(7) Connections with other devices

Devices using this product should not be connected to other devices. If connected, insulation should be provided.

(8) Pin noise voltage

The test circuit diagram below (Figure 7) was used in the test whose results are shown in Figure 6.

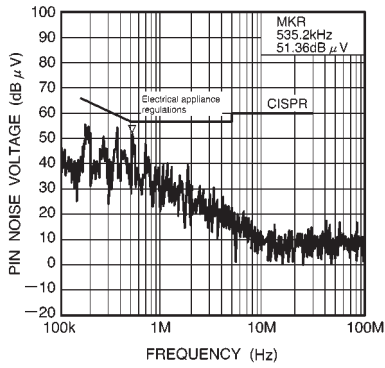


Fig.6 Pin noise voltage

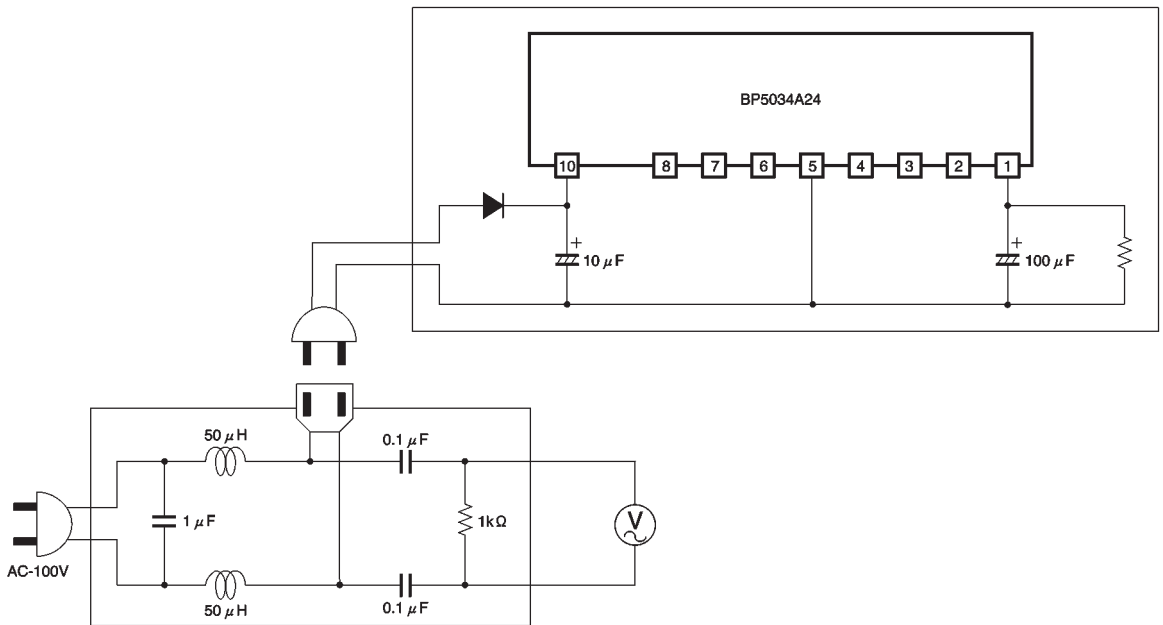


Fig.7 Test circuit

●Electrical characteristic curves (measurement circuit is Fig 7)

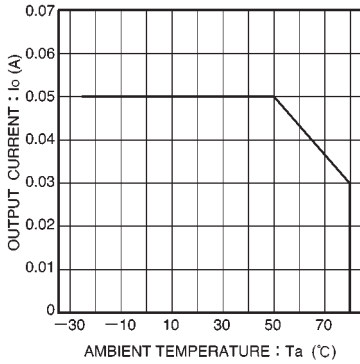


Fig.8 Derating curve

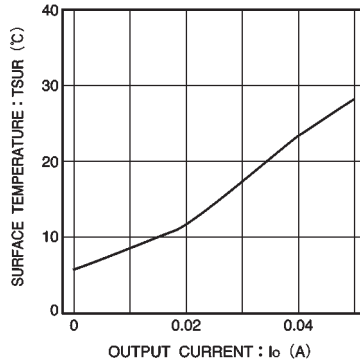


Fig.9 Surface temperature rise

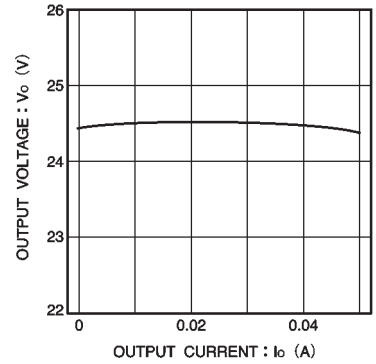


Fig.10 Output characteristic

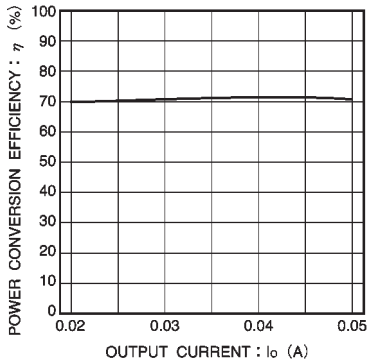


Fig.11 Power conversion efficiency

●External dimensions (Units: mm)

