

TC74HC4538AP, TC74HC4538AF, TC74HC4538AFN, TC74HC4538AFT

DUAL RETRIGGERABLE MONOSTABLE MULTIVIBRATOR

The TC74HC4538A is a high speed CMOS MONOSTABLE MULTIVIBRATOR fabricated with silicon gate C²MOS technology.

It achieves the high speed operation similar to equivalent LSTTL while maintaining the CMOS low power dissipation.

There are two trigger inputs, A input (Positive edge input), and \overline{B} input (Negative edge input). These inputs are valid for a slow rise/fall time signal ($t_r = t_f = 1\text{sec.}$) as they are schmitt trigger inputs.

After triggering, the output stays in a MONOSTABLE state for the time period determined by the external resistor and capacitor (R_x, C_x). A low level at \overline{CD} input breaks this STABLE STATE. In the MONOSTABLE state, if a new trigger is applied, it makes the MONOSTABLE period longer (retrigger mode).

Limitations for C_x and R_x are as follows :

- External capacitor C_x No limitation
- External resistor R_x $V_{CC} = 2.0V$ more than $5k\Omega$
 $V_{CC} \geq 3.0V$ more than $1k\Omega$

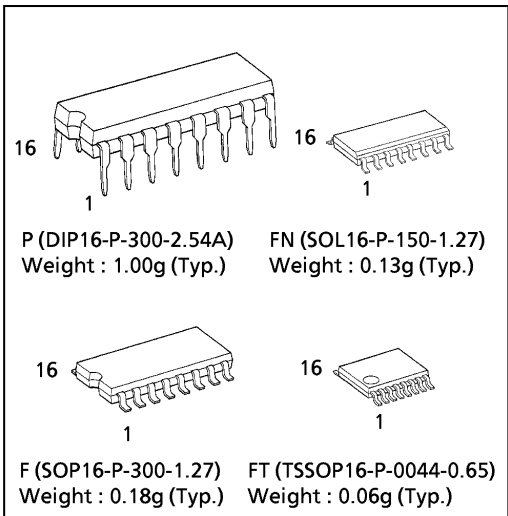
All inputs are equipped with protection circuits against static discharge or transient excess voltage.

FEATURES :

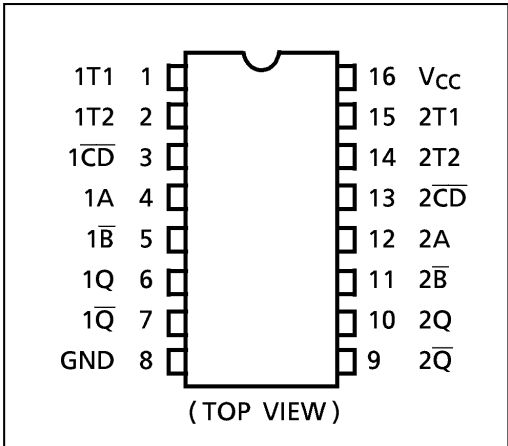
- High Speed..... $t_{pd} = 25\text{ns}$ (typ.) at $V_{CC} = 5V$
- Low Power Dissipation
 Stand by State..... $I_{CC} = 4\mu A$ (Max.) at $T_a = 25^\circ C$
 Active State $I_{CC} = 300\mu A$ (Max.) at $T_a = 25^\circ C$
- High Noise Immunity..... $V_{NIH} = V_{NIL} = 28\% V_{CC}$ (Min.)
- Output Drive Capability 10 LSTTL Loads
- Symmetrical Output Impedance... $|I_{OH}| = I_{OL} = 4\text{mA}$ (Min.)
- Balanced Propagation Delays..... $t_{PLH} \approx t_{PHL}$
- Wide Operating Voltage Range... V_{CC} (opr.) = $2V \sim 6V$
- Pin and Function Compatible with 4538B

Note : In the case of using only one circuit, \overline{CD} should be tied to GND, $T1 \cdot T2 \cdot Q \cdot \overline{Q}$ should be tied to OPEN, the other inputs should be tied to V_{CC} or GND.

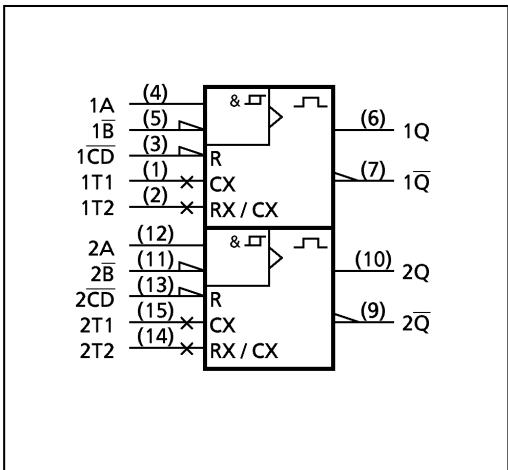
(Note) The JEDEC SOP (FN) is not available in Japan.



PIN ASSIGNMENT



IEC LOGIC SYMBOL



980508EBA2

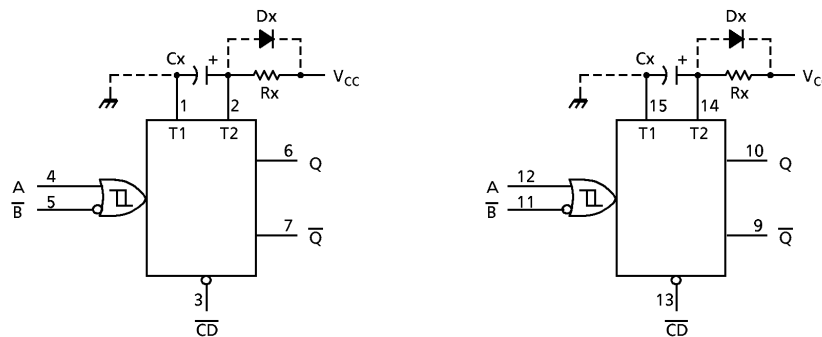
● TOSHIBA is continually working to improve the quality and the reliability of its products. Nevertheless, semiconductor devices in general can malfunction or fail due to their inherent electrical sensitivity and vulnerability to physical stress. It is the responsibility of the buyer, when utilizing TOSHIBA products, to observe standards of safety, and to avoid situations in which a malfunction or failure of a TOSHIBA product could cause loss of human life, bodily injury or damage to property. In developing your designs, please ensure that TOSHIBA products are used within specified operating ranges as set forth in the most recent products specifications. Also, please keep in mind the precautions and conditions set forth in the TOSHIBA Semiconductor Reliability Handbook.

TRUTH TABLE

INPUT			OUTPUT		NOTE
A	\bar{B}	\bar{CD}	Q	\bar{Q}	
	H	H			OUTPUT ENABLE
X	L	H	L	H	INHIBIT
H	X	H	L	H	INHIBIT
L		H			OUTPUT ENABLE
X	X	L	L	H	RESET

X : Don't Care

BLOCK DIAGRAM



Notes : (1) Cx, Rx, Dx are external.
Capacitor, Resistor, and Diode, respectively.

(2) External clamping diode, Dx

The external capacitor is charged to V_{CC} level in the wait state, i.e. when no trigger is applied. Supply voltage is turned off and Cx is discharged mainly through the internal (parasitic) diode. If Cx is sufficiently large and V_{CC} drops rapidly, there will be some possibility of damaging the IC by rush current or latch-up. If the capacitance of the supply voltage filter is large enough and V_{CC} drops slowly, the rush current is automatically limited and damage to the IC is avoided.

The maximum value of forward current through the parasitic diode is $\pm 20\text{mA}$.

In the case of a large Cx, the limitation of fall time of the supply voltage is determined as follows :

$$t_f \geq (V_{CC} - 0.7) C_x / 20\text{mA}$$

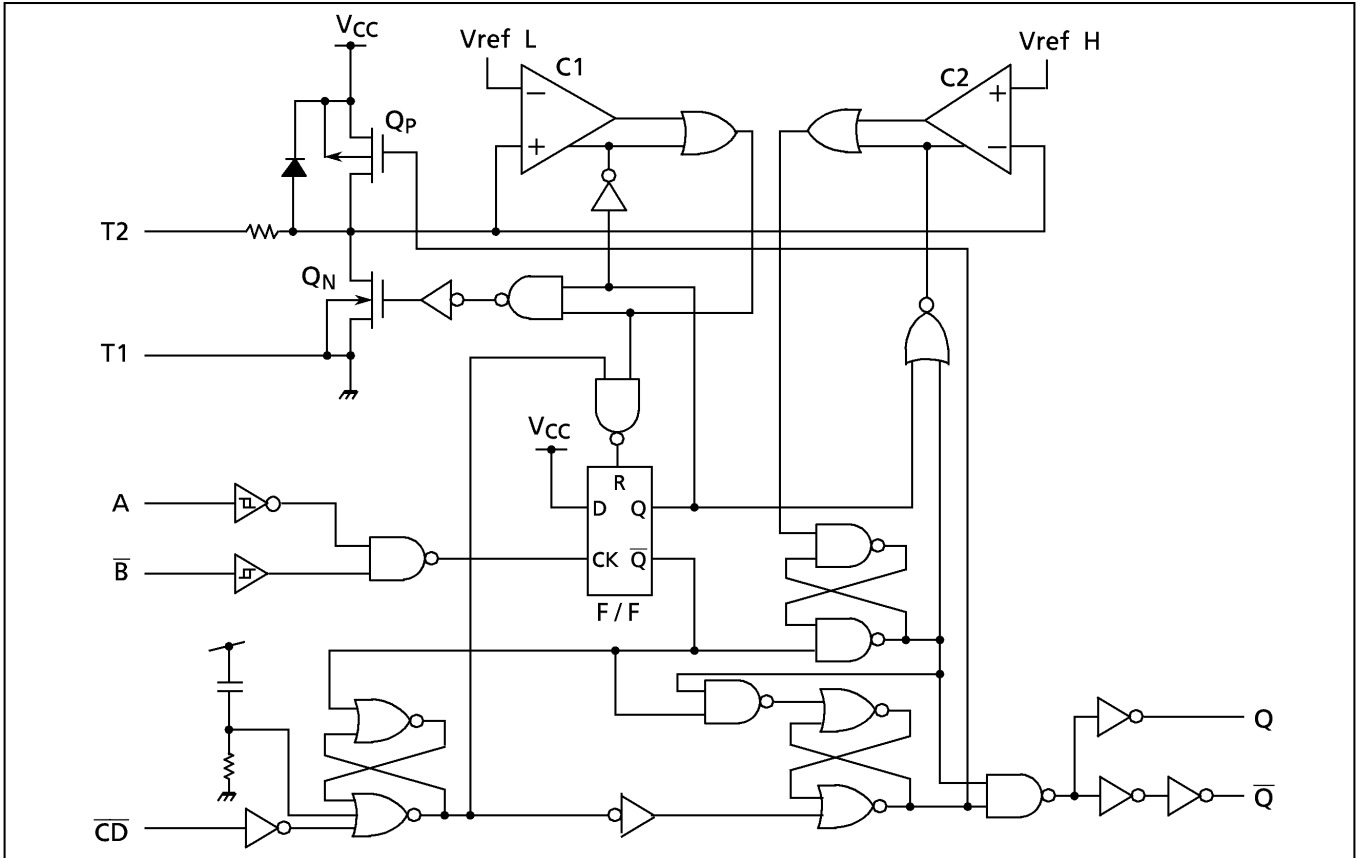
(t_f is the time from the voltage supply turning off to the level of supply voltage reaching $0.4 V_{CC}$.)

In the care of a system that does not satisfy the above condition, an external clamping diode is needed to protect the IC from rush current.

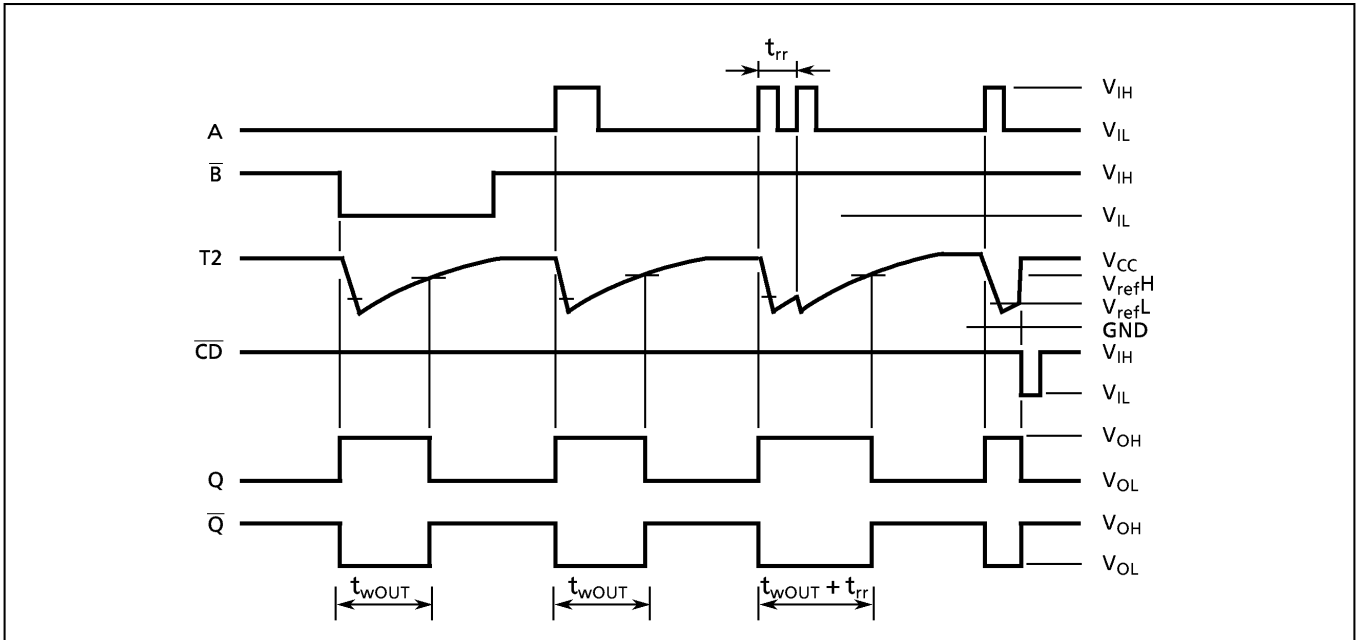
980508EBA2'

- The products described in this document are subject to foreign exchange and foreign trade laws.
- The information contained herein is presented only as a guide for the applications of our products. No responsibility is assumed by TOSHIBA CORPORATION for any infringements of intellectual property or other rights of the third parties which may result from its use. No license is granted by implication or otherwise under any intellectual property or other rights of TOSHIBA CORPORATION or others.
- The information contained herein is subject to change without notice.

SYSTEM DIAGRAM



TIMING CHART



FUNCTIONAL DESCRIPTION

(1)Stand-by State

The external capacitor is fully charge to V_{CC} in the stand-by state. That means, before triggering, Q_P and Q_N transistors which are connected to the T2 node are in the off state. Two comparators that relate to the timing of the output pulse, and two reference voltage supplies stop their operation. The total supply current is only leakage current.

(2)Trigger operation

Trigger operation is effective in either of the following two cases. One is the condition where the A input is low, and the \bar{B} input has a falling signal. The other, where the \bar{B} input is high, and the A input has a rising signal.

After trigger becomes effective, comparators C1 and C2 start operating, and Q_N is turned on. The external capacitor discharges through Q_N . The voltage level at the T2 node drops. If the T2 voltage level falls to the internal reference voltage $V_{ref L}$, the output of C1 becomes low. The flip-flop is then reset and Q_N turns off. At that moment C1 stops but C2 continues operating.

After Q_N turns off, the voltage at T2 start rising at a rate determined by the time constant of external capacitor C_x and resistor R_x .

After the triggering, output Q becomes high, following some delay time of the internal F/F and gates. It stays high even if the voltage of T2 changes from falling to rising. When T2 reaches the internal reference voltage $V_{ref H}$, the output of C2 becomes low, the output Q goes low and C2 stops its operation. That means, after triggering, when the voltage level of T2 reaches $V_{ref H}$, the IC returns to its MONOSTABLE state.

In the case of large value of C_x and R_x , and ignoring the discharge time of the capacitor and internal delays of the IC, the width of the output pulse, (t_{wOUT}), is as follows :

$$t_{wOUT} = 0.70 \cdot C_x \cdot R_x$$

(3)Retrigger operation

When anoter new trigger is applied to input A or \bar{B} while in the MONOSTABLE state, it is effective only if the IC is chaging C_x . The voltage level of T2 then falls to $V_{ref L}$ level again.

Therefore the Q output stays high if the next trigger comes in before the time period set by C_x and R_x .

If the 2nd trigger is very close to previous trigger, such as application during the dischagre cycle, the 2nd trigger will not be effective.

The minimum time for effective 2nd trigger, $t_{tr}(\text{Min})$, depends on V_{cc} and C_x .

(4)Reset operation

In normal operation, \overline{CD} input is held high. If \overline{CD} is low, a trigger has no effect because the Q output is held low and the trigger control F/F is reset. Also Q_P turns on and C_x is charged rapidly to V_{CC} .

This means if \overline{CD} input is set low, the IC goes into a wait state.

ABSOLUTE MAXIMUM RATINGS

PARAMETER	SYMBOL	VALUE	UNIT
Supply Voltage Range	V_{CC}	$-0.5 \sim 7$	V
DC Input Voltage	V_{IN}	$-0.5 \sim V_{CC} + 0.5$	V
DC Output Voltage	V_{OUT}	$-0.5 \sim V_{CC} + 0.5$	V
Input Diode Current	I_{IK}	± 20	mA
Output Diode Current	I_{OK}	± 20	mA
DC Output Current	I_{OUT}	± 25	mA
DC V_{CC} /Ground Current	I_{CC}	± 50	mA
Power Dissipation	P_D	500 (DIP)* / 180 (SOP / TSSOP)	mW
Storage Temperature	T_{stg}	$-65 \sim 150$	$^{\circ}\text{C}$

*500mW in the range of $T_a = -40^{\circ}\text{C} \sim 65^{\circ}\text{C}$. From $T_a = 65^{\circ}\text{C}$ to 85°C a derating factor of $-10\text{mW}/^{\circ}\text{C}$ shall be applied until 300mW.

RECOMMENDED OPERATING CONDITIONS

PARAMETER	SYMBOL	VALUE	UNIT
Supply Voltage	V_{CC}	$2 \sim 6$	V
Input Voltage	V_{IN}	$0 \sim V_{CC}$	V
Output Voltage	V_{OUT}	$0 \sim V_{CC}$	V
Operating Temperature	T_{opr}	$-40 \sim 85$	$^{\circ}\text{C}$
Input Rise and Fall Time (CD Only)	t_r, t_f	0~1000 ($V_{CC} = 2.0\text{V}$) 0~500 ($V_{CC} = 4.5\text{V}$) 0~400 ($V_{CC} = 6.0\text{V}$)	ns
External Capacitor	C_x	No Limitation *	F
External Resistor	R_x	$\geq 5\text{k}^*$ ($V_{CC} = 2.0\text{V}$) $\geq 1\text{k}^*$ ($V_{CC} \geq 3.0\text{V}$)	Ω

* The maximum allowable values of C_x and R_x are a function of leakage of capacitor C_x , the leakage of TC74HC4538A, and leakage due to board layout and surface resistance.

Susceptibility to externally induced noise signals may occur for $R_x > 1\text{M}\Omega$.

DC ELECTRICAL CHARACTERISTICS

PARAMETER	SYMBOL	TEST CONDITION	V _{CC} (V)	Ta = 25°C			Ta = -40~85°C		UNIT	
				MIN.	TYP.	MAX.	MIN.	MAX.		
High - Level Input Voltage	V _{IH}		2.0	1.50	—	—	1.50	—	V	
			4.5	3.15	—	—	3.15	—		
			6.0	4.20	—	—	4.20	—		
Low - Level Input Voltage	V _{IL}		2.0	—	—	0.50	—	0.50	V	
			4.5	—	—	1.35	—	1.35		
			6.0	—	—	1.80	—	1.80		
High - Level Output Voltage (Q, \bar{Q})	V _{OH}	V _{IN} = V _{IH} or V _{IL}	I _{OH} = -20 μ A	2.0	1.9	2.0	—	1.9	—	V
				4.5	4.4	4.5	—	4.4	—	
				6.0	5.9	6.0	—	5.9	—	
Low - Level Output Voltage (Q, \bar{Q})	V _{OL}	V _{IN} = V _{IH} or V _{IL}	I _{OL} = 20 μ A	2.0	—	0.0	0.1	—	0.1	V
				4.5	—	0.0	0.1	—	0.1	
				6.0	—	0.0	0.1	—	0.1	
Input Leakage Current	I _{IN}	V _{IN} = V _{CC} or GND	6.0	—	—	± 0.1	—	± 1.0	μ A	
			T2 Terminal Input Leakage Current	I _{IN}	V _{IN} = V _{CC} or GND	6.0	—	—		± 0.5
Quiescent Supply Current	I _{CC}	V _{IN} = V _{CC} or GND	6.0	—	—	4.0	—	40.0		
Active - State * Supply Current	I _{CC}	V _{IN} = V _{CC} or GND T2 ext = 0.5 V _{CC}	2.0	—	40	120	—	160	μ A	
			4.5	—	200	300	—	400		
			6.0	—	300	600	—	800		

* : per circuit

TIMING REQUIREMENTS (Input t_r = t_f = 6ns)

PARAMETER	SYMBOL	TEST CONDITION	V _{CC} (V)	Ta = 25°C		Ta = -40~85°C	UNIT
				TYP.	LIMIT	LIMIT	
Minimum Pulse Width (A, \bar{B})	t _{w(L)} t _{w(H)}		2.0	—	75	95	ns
			4.5	—	15	19	
			6.0	—	13	16	
Minimum Clear Width (CD)	t _{w(L)}		2.0	—	75	95	ns
			4.5	—	15	19	
			6.0	—	13	16	
Minimum Clear Removal Time	t _{rem}		2.0	—	15	15	ns
			4.5	—	5	5	
			6.0	—	5	5	
Minimum Retrigger Time	t _{rr}	Rx = 1k Ω Cx = 100pF	2.0	380	—	—	μ S
			4.5	92	—	—	
			6.0	72	—	—	
		2.0	6.0	—	—		
		4.5	1.4	—	—		
		6.0	1.2	—	—		

AC ELECTRICAL CHARACTERISTICS ($C_L = 15\text{pF}$, $V_{CC} = 5\text{V}$, $T_a = 25^\circ\text{C}$, Input $t_r = t_f = 6\text{ns}$)

PARAMETER	SYMBOL	TEST CONDITION	MIN.	TYP.	MAX.	UNIT
Output Transition Time	t_{TLH} t_{THL}		—	6	12	ns
Propagation Delay Time (A, \bar{B} –Q, \bar{Q})	t_{PLH} t_{PHL}		—	25	44	
Propagation Delay Time ($\bar{C}\bar{D}$ –Q, \bar{Q})	t_{PLH} t_{PHL}		—	21	34	

AC ELECTRICAL CHARACTERISTICS ($C_L = 50\text{pF}$, Input $t_r = t_f = 6\text{ns}$)

PARAMETER	SYMBOL	TEST CONDITION	$T_a = 25^\circ\text{C}$			$T_a = -40\sim 85^\circ\text{C}$		UNIT	
			$V_{CC}(\text{V})$	MIN.	TYP.	MAX.	MIN.		MAX.
Output Transition Time	t_{TLH} t_{THL}		2.0	—	30	75	—	95	ns
			4.5	—	8	15	—	19	
			6.0	—	7	13	—	16	
Propagation Delay Time (A, \bar{B} –Q, \bar{Q})	t_{PLH} t_{PHL}		2.0	—	120	250	—	315	ns
			4.5	—	30	50	—	63	
			6.0	—	25	43	—	54	
Propagation Delay Time ($\bar{C}\bar{D}$ –Q, \bar{Q})	t_{PLH} t_{PHL}		2.0	—	100	195	—	245	ns
			4.5	—	25	39	—	49	
			6.0	—	20	33	—	42	
Output Pulse Width	tw_{OUT}	Cx = 0F Rx = 5k Ω ($V_{CC} = 2\text{V}$)	2.0	—	540	1200	—	1500	ns
			4.5	—	180	250	—	320	
			6.0	—	150	200	—	260	
		Cx = 0.01 μF Rx = 10k Ω	2.0	70	83	96	70	96	μs
			4.5	69	77	85	69	85	
			6.0	69	77	85	69	85	
Cx = 0.1 μF Rx = 10k Ω	2.0	0.67	0.75	0.83	0.67	0.83	ms		
	4.5	0.67	0.73	0.77	0.67	0.77			
	6.0	0.67	0.73	0.77	0.67	0.77			
Output Pulse Width Error Between Circuits (In same Package)	Δtw_{OUT}		—	± 1	—	—	—	%	
Input Capacitance	C_{IN}		—	5	10	—	10	pF	
Power Dissipation Capacitance	C_{PD}	Note (1)	—	70	—	—	—		

Note (1) C_{PD} is defined as the value of the internal equivalent capacitance which is calculated from the operating current consumption without load.

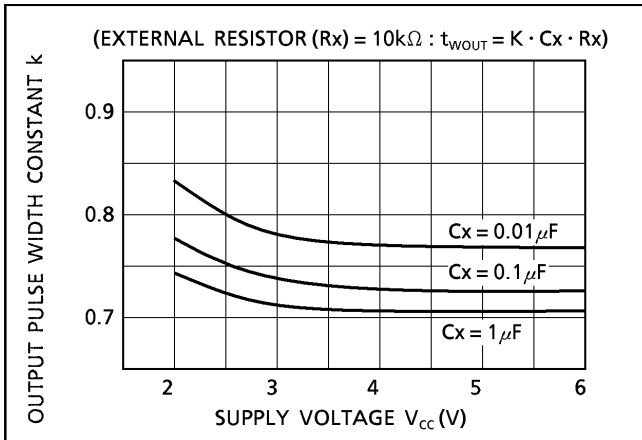
Average operating current can be obtained by the equation :

$$I_{CC}(\text{opr}) = C_{PD} \cdot V_{CC} \cdot f_{IN} + I_{CC}' \cdot \text{Duty} / 100 + I_{CC} / 2 \text{ (per Circuit)}$$

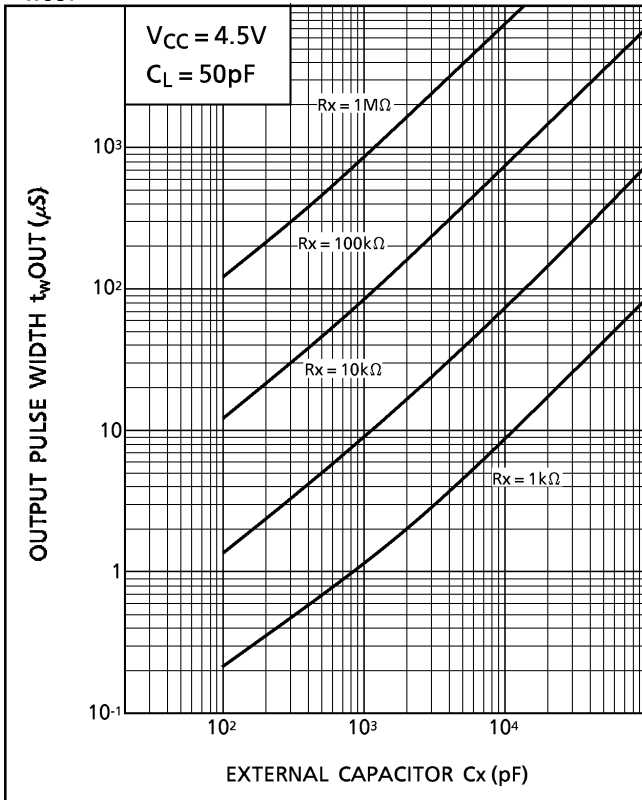
(I_{CC}' : Active Supply Current)

(Duty : %)

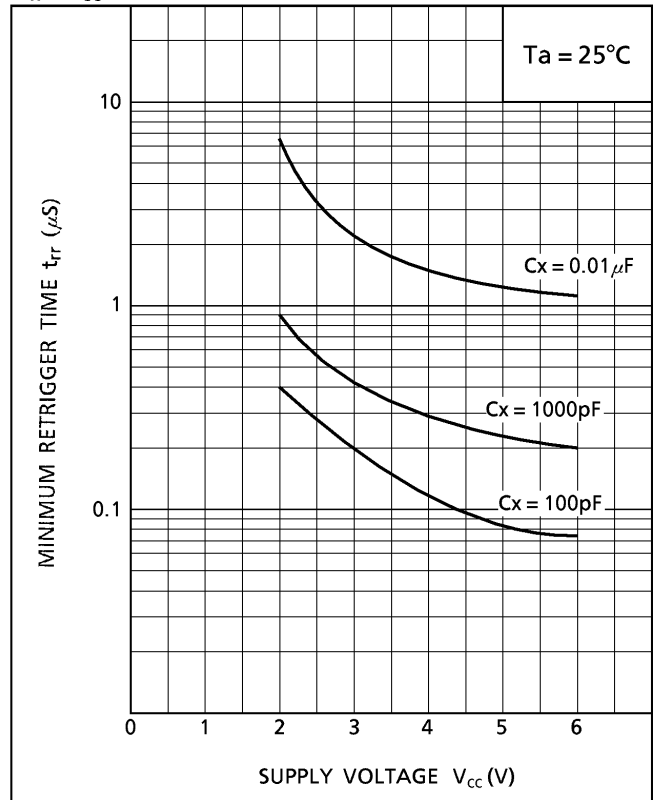
OUTPUT PULSE WIDTH CONSTANT K- SUPPLY VOLTAGE (TYPICAL)



$t_{wOUT} - C_x$ CHARACTERISTICS (TYPICAL)

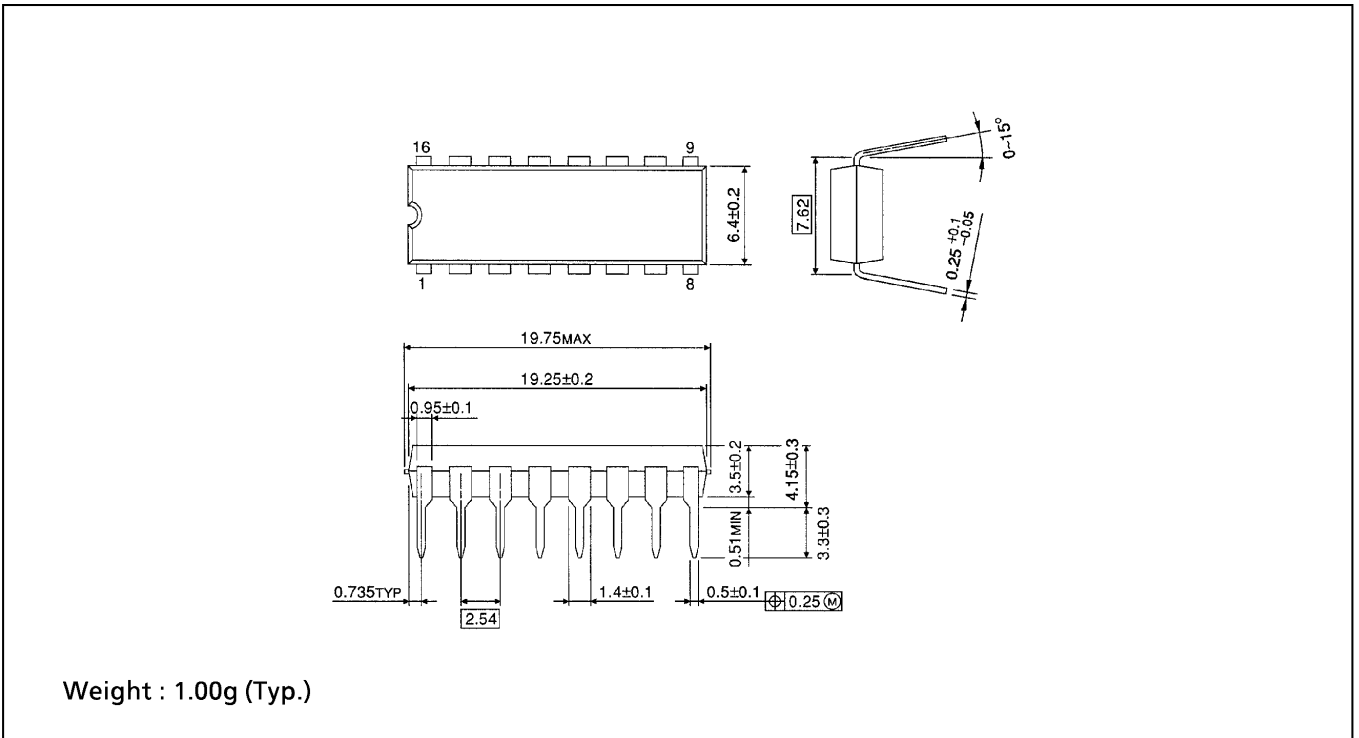


$t_{rr} - V_{CC}$ CHARACTERISTICS (TYPICAL)



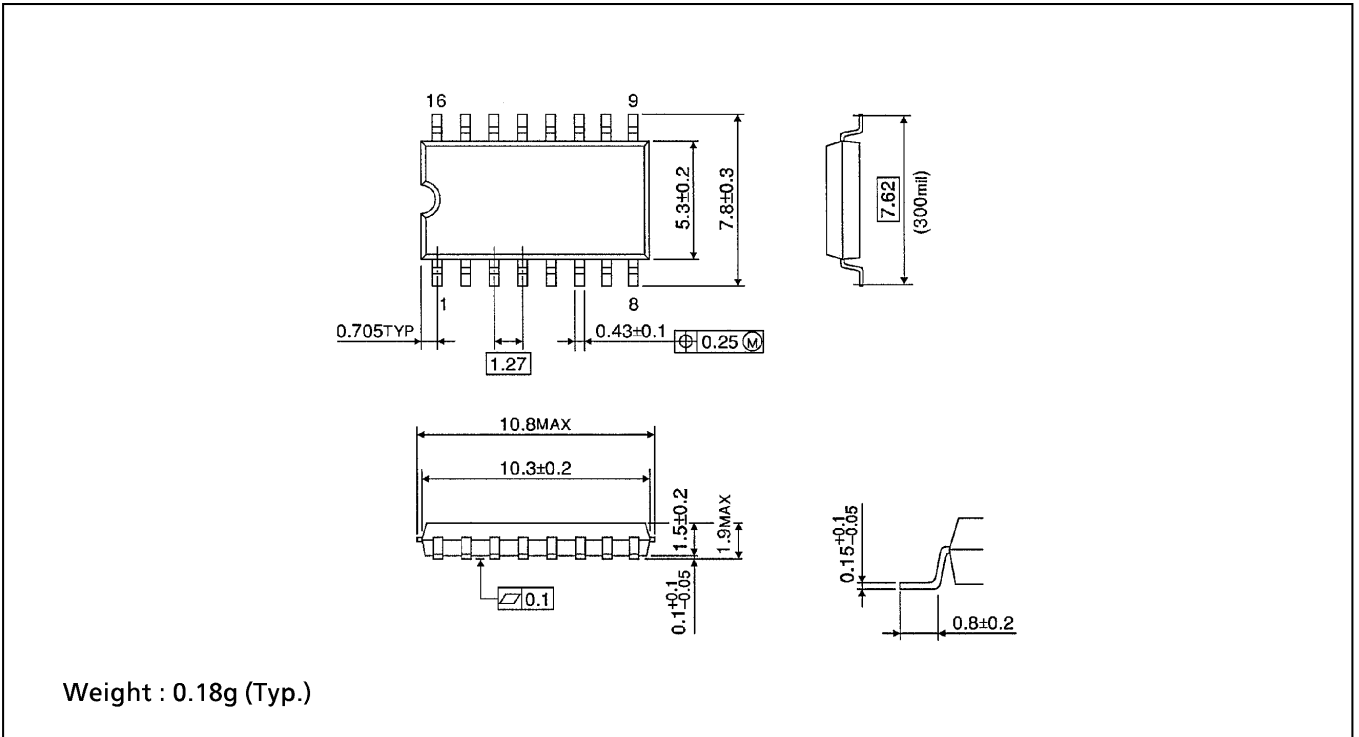
DIP 16PIN OUTLINE DRAWING (DIP16-P-300-2.54A)

Unit in mm



SOP 16PIN (200mil BODY) OUTLINE DRAWING (SOP16-P-300-1.27)

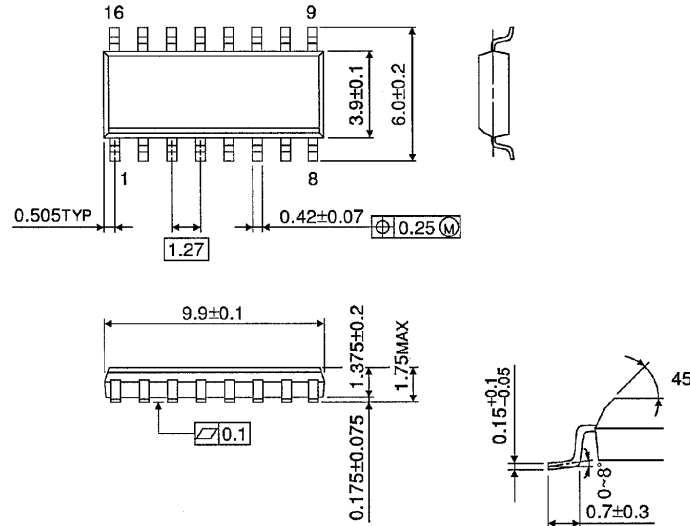
Unit in mm



SOP 16PIN (150mil BODY) OUTLINE DRAWING (SOL16-P-150 -1.27)

Unit in mm

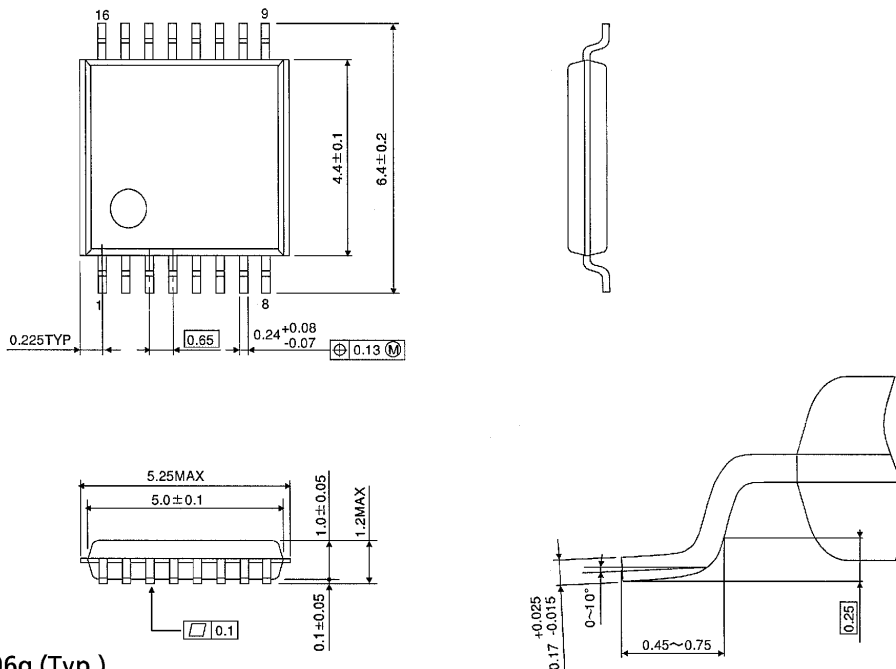
(Note) This package is not available in Japan.



Weight : 0.13g (Typ.)

TSSOP 16PIN OUTLINE DRAWING (TSSOP16-P-0044-0.65)

Unit in mm



Weight : 0.06g (Typ.)

Copyright Each Manufacturing Company.

All Datasheets cannot be modified without permission.

This datasheet has been download from :

www.AllDataSheet.com

100% Free DataSheet Search Site.

Free Download.

No Register.

Fast Search System.

www.AllDataSheet.com