

Audio Ringing Codec Filter Basic Function PSB 7230

The PSB 7230 Joint Audio Decoder Encoder for Analog Videophones (JADE AN) is a device which implements voice compression algorithmus using the Algebraic Code Excited Linear Prediction (ACELP) and the Multi-Pulse Maximum Likelihood Quantization (MP.MLQ) standard as defined in the ITU-T G.723 Recommendation.

1. Potential application

- ISDN and analog Videophones
- Corporate Network voice concentrators, multiplexers and gateways
- Data-over-voice and Voice-over-Data terminals
- Digital Added Main-Line (DAML) & Digital Circuit Multiplication Equipment (DCME)

2. Features:

- G.723 V5.1 (6.3, 5.3 kbps) and G.711 (64 kbps) Compression/Decompression
- Uncompressed/compressed audio switchable between different interface combinations (IOM[®]/Serial Audio Interface, IOM/Host)
- Inband controlled H.221/H.223 oriented audio protocol, e.g. for direct serial connection to Videotec (VPC of 8x8 Inc., formerly IIT Inc.), as well as host based solutions
- Stable reaction on interrupt handshake timing violations of e.g. a slow host (Windows PC)
- Outband controlled audio protocol with optimized data rate
- IOM-2 Monitor and C/I channels
- 4-line IOM-2/PCM and 5 line Serial Audio Interface, e.g. for connection to Videocodec H.221/223 processor
- Programmable via Parallel Host Interface
- Access to audio channels and serial transparent data controller from DSP or an external Host
- Interface to external software via a full-duplex 64-byte on-chip mailbox
- Operating parameters and mode settings via a register bank
- Supply voltage :3.0-3.6V
- Advanced 1-μ BICMOS technology

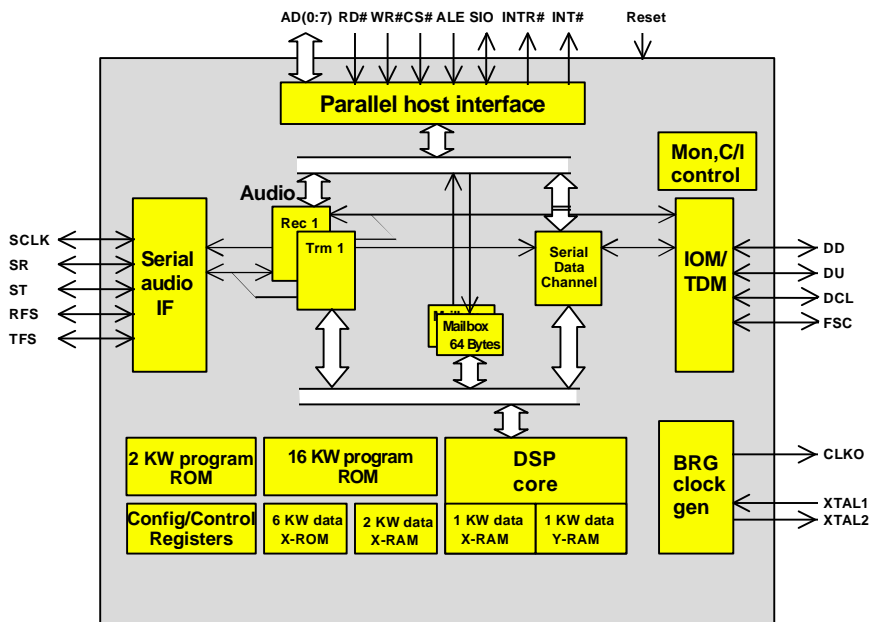
3. Packing

Type	Ordering Code	Package
PSB 7230 V1.2	Q67101-H6864	P-TQFP-64

4. Product status

Product	Step	Status	Changes
PSB 7230	V 1.2	ES available	--

5. Diagram



6. Documentation (Please contact our sales office for details)

Data Sheet V1.2	<u>Date of issue/version</u> 2/97	<u>Type of material</u> Copy
-----------------	--------------------------------------	---------------------------------

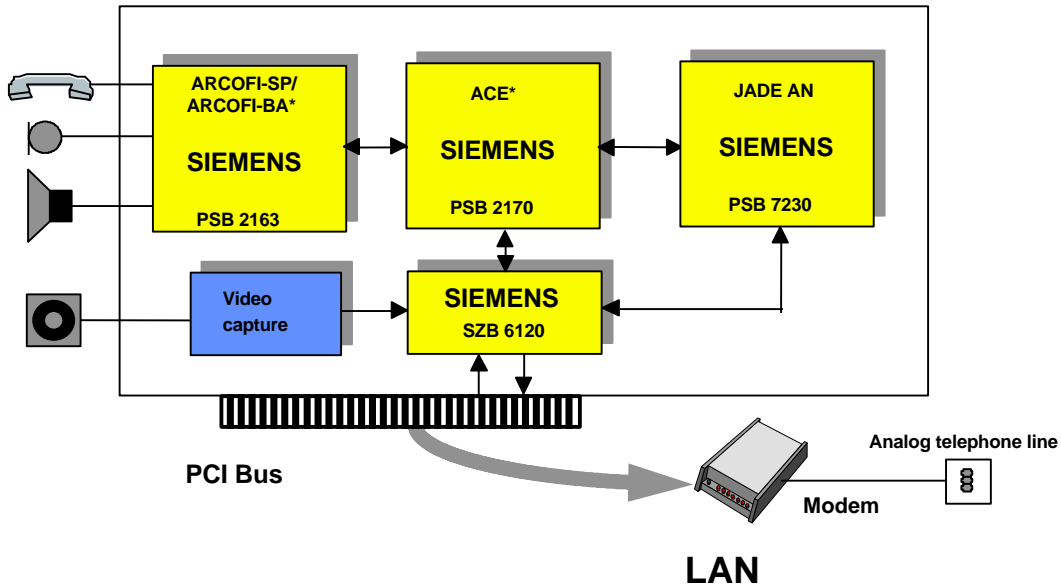
7. Development and support tools

SIPB7282 JADE AN Demo Board	<u>Availability</u> on request	<u>Ordering number</u> Q67220-H1003
--------------------------------	-----------------------------------	--

8. Applications

- H.324/H.323 SW Videocommunications PC-Card

* option for acoustic echo cancellation



- Standalone Videophone (H.324 compatible)

