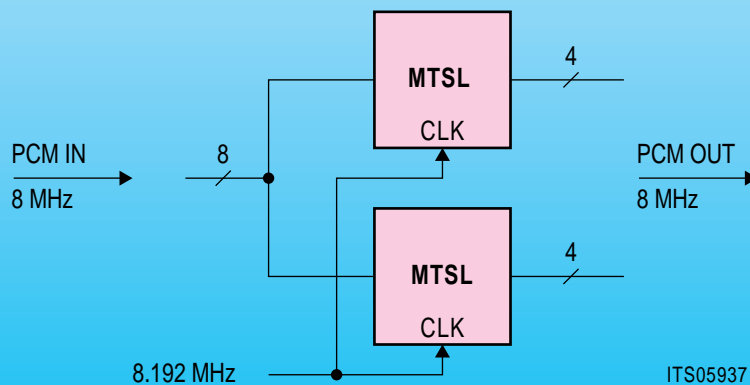


Features

- Time/space switch for 2048-, 4096- or 8192-kbit/s PCM systems
- Different modes programmable for input and output separately 2048 kbit/s (4096 kbit/s, 8192 kbit/s or mixed mode)
- Switching of up to 1024 incoming PCM channels to up to 5124 outgoing PCM channels
- Configurable for a 4096-kHz or 8192-kHz device clock 16 input and 8 output PCM lines
- Constant frame delay for switching of wideband data, e.g. ISDN H-channels or minimized delay for voice applications
- Tristate function for further expansion and tandem operation
- μ P read access to PCM data
- Programmable clock shift with half clock step resolution for input and output
- Individual line delay measurement and clock shift mechanism for 8 PCM inputs
- Built-in selftest
- 8-bit Motorola or Intel type μ P interface
- Advanced low power 1 μ -CMOS technology
- Single 5-V-power supply

Type	Package
PEB 2047-N	P-LCC-44-1 (SMD)



ITS05937

Memory Time Switch for a Non-blocking 1024 Channel Switch with 8-MHz Device Clock

