



MX29L8100T/B

8M-BIT [1M x 8/512K x 16] CMOS SINGLE VOLTAGE 3V ONLY FLASH EEPROM

FEATURES

- Extended single-supply voltage range 2.7V to 3.6V for read and write
- JEDEC-standard EEPROM commands
- Endurance 100,000 cycles
- Fast access time: 120ns
- Optimized block architecture
 - One 16 Kbyte protected block(16K-block)
 - Two 8 Kbyte parameter blocks
 - One 96 Kbyte main block
 - Seven 128 Kbyte main blocks
- Hardware and software data protection
 - Hardware Write Protection pin (\overline{WP})
 - Hardware Lockout bit for 16K-block
 - Software command data protection
- Software EEPROM emulation with parameter blocks
- Status register
 - For detection of program or erase cycle completion
- Auto Erase operation
 - Automatically erases any one of the sectors or the whole chip
 - Erase suspend capability
 - Fast erase time: 50ms typical for chip erase
- Auto Page Program operation
 - Automatically programs and verifies data at specified addresses
 - Internal address and data latches for 128 bytes per page
- Low power dissipation
 - 20mA active current
 - 20uA standby current
 - 1uA deep power-down current
- Hardware Reset pin (RP)
 - Reset internal state machine, and put the device into deep power-down mode
- Built-in 128 Bytes/64 words Page Buffer
 - Work as SRAM for temporary data storage
 - Fast access to temporary data
- Low Vcc write inhibit $\leq 1.8V$
- Industry standard surface mount packaging
 - 48-Lead TSOP Type I
 - 48-Lead CSP (9mm x 11mm)
 - Ball pitch : 0.75mm/0.8mm/1.0mm

1.0 GENERAL DESCRIPTION

The MX29L8100T/B is a 8 Mbit, 3 V-only Flash memory organized as a either 1 Mbytesx8 or 512K word x16. For flexible erase and program capability, the 8 Mbits of data is divided into 11 sectors of one 16 Kbyte protected block, two 8 Kbyte parameter blocks, one 96 Kbyte main block, and seven 128 Kbyte main blocks. To allow for simple in-system operation, the device can be operated with a single 2.7 V to 3.6 V supply voltage. Since many designs read from the flash memory a large percentage of the time, significant power saving is achieved with the 2.7 V VCC operation. Manufactured with MXIC's advanced nonvolatile memory technology, the device offers access times of 120 ns, and a low 1uA typical deep power-down current.

The MX29L8100T/B command set is compatible with the JEDEC single-power-supply flash standard. Commands are written to the command register using standard microprocessor write timings. MXIC's flash memory augments EPROM functionality with an internal state machine which controls the erase and program circuitry. The device Status Register provides a convenient way to

monitor when a program or erase cycle is complete, and the success or failure of that cycle.

Programming the MX29L8100T/B is performed on a page basis; 128 bytes of data are loaded into the device and then programmed simultaneously. The typical Page Program time is 5ms. The device can also be reprogrammed in standard EPROM programmers. Reading data out of the device is similar to reading from an EPROM or other flash.

Erase is accomplished by executing the Erase command sequence. This will invoke the Auto Erase algorithm which is an internal algorithm that automatically times the erase pulse widths and verifies proper cell margin. This device features both chip erase and block erase. Each block can be erased and programmed without affecting other blocks. Using MXIC's advanced design technology, no preprogram is required (internally or externally). As a result, the whole chip can be typically erased and verified in as fast as 50 ms.

A combined feature of Write Protection pin (\overline{WP}), Reset pin (\overline{RP}), 16K-block lockout bit, and software command sequences provides complete data protection. First, software data protection protects the device from inadvertent program or erase. Two "unlock" write cycles must be presented to the device before the program or erase command can be accepted by the device. For hardware data protection, the \overline{WP} pin and \overline{RP} pin provide protection against unwanted command writes due to invalid system bus condition that may occur during system reset and power-up/down sequence. Finally, with 16K-block lockout bit feature, the device provides complete core security for the kernel code required for system initialization.

The device has 128 Bytes built-in page buffer, which can serve as SRAM. This feature provides a convenient way to store temporary data for fast read and write.

MXIC's Flash technology reliably stores memory contents after 100,000 cycles. The MXIC's cell is designed to optimize the erase and program mechanism. In addition, the combination of advanced tunnel oxide processing and low internal electric fields for erase and program operations produce reliable cycling.

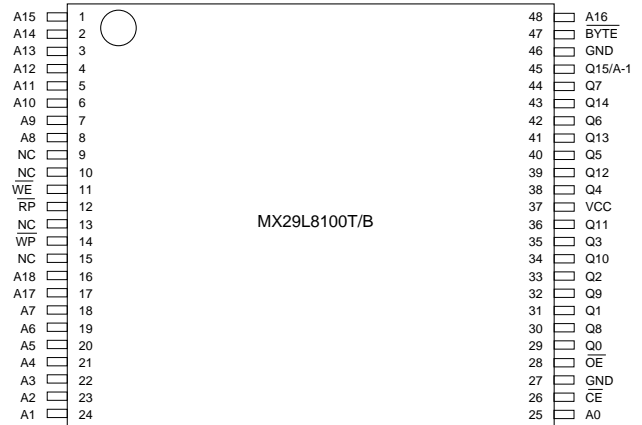
The highest degree of latch-up protection is achieved with MXIC's proprietary non-epi process. Latch-up protection is proved for stresses up to 100 milliamps on address and data pin from -1V to VCC +1V.

PIN CONFIGURATIONS

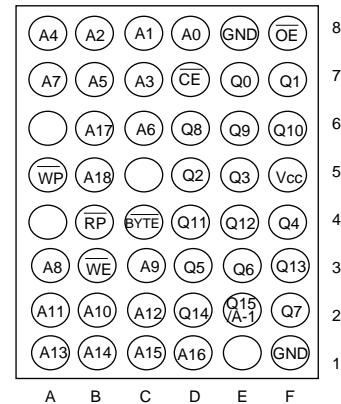
| SYMBOL | PIN NAME |
|-----------------|------------------------------------|
| A0 - A18 | Address Input |
| Q0 - Q14 | Data Input/Output |
| Q15/A-1 | Q15(word mode)/LSB addr(Byte mode) |
| \overline{CE} | Chip Enable Input |
| \overline{OE} | Output Enable Input |
| \overline{WE} | Write Enable |
| \overline{RP} | Reset/Deep Power-down |
| \overline{WP} | Write Protect |
| BYTE | Word/Byte Selection Input |
| VCC | Power Supply Pin (2.7V - 3.6V) |
| GND | Ground Pin |

1.1 PINOUTS

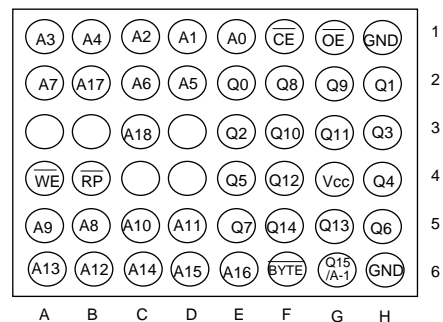
48-TSOP (TPYE 1) 12 x 20mm



48-CSP(9mm x 11mm, BGA, Ball Pitch : 0.75mm)



48-CSP(9mm x 11mm, BGA, Ball Pitch : 0.8mm)





1..2-1 MX29L8100T/B SECTOR ARCHITECTURE (Byte Mode Addr. A-1 ~ A18)

| | |
|----------------------------|-------------------------|
| FFFFFH | 16-Kbyte BLOCK |
| FC000H FBFFFH FA000H | 8-Kbyte PARAMETER BLOCK |
| F9FFFH F8000H F7FFFH | 8-Kbyte PARAMETER BLOCK |
| E0000H DFFFFH | 96-Kbyte MAIN BLOCK |
| C0000H BFFFFH | 128-Kbyte MAIN BLOCK |
| A0000H 9FFFFH | 128-Kbyte MAIN BLOCK |
| 80000H 7FFFFH | 128-Kbyte MAIN BLOCK |
| 60000H 5FFFFH | 128-Kbyte MAIN BLOCK |
| 40000H 3FFFFH | 128-Kbyte MAIN BLOCK |
| 20000H 1FFFFH | 128-Kbyte MAIN BLOCK |
| 00000H | 128-Kbyte MAIN BLOCK |

MX29L8100T Memory Map

| | |
|----------------------------|-------------------------|
| FFFFFH | 128-Kbyte MAIN BLOCK |
| E0000H DFFFFH | 128-Kbyte MAIN BLOCK |
| C0000H BFFFFH | 128-Kbyte MAIN BLOCK |
| A0000H 9FFFFH | 128-Kbyte MAIN BLOCK |
| 80000H 7FFFFH | 128-Kbyte MAIN BLOCK |
| 60000H 5FFFFH | 128-Kbyte MAIN BLOCK |
| 40000H 3FFFFH | 128-Kbyte MAIN BLOCK |
| 20000H 1FFFFH | 96-Kbyte MAIN BLOCK |
| 08000H 07FFFH 06000H | 8-Kbyte PARAMETER BLOCK |
| 05FFFH 04000H 03FFFH | 8-Kbyte PARAMETER BLOCK |
| 00000H | 16-Kbyte BLOCK |

MX29L8100B Memory Map



1..2-2 MX29L8100T/B SECTOR ARCHITECTURE (Word Mode Addr. A0 ~ A18)

| | |
|---|--|
| 7 F F F F H | 128-Kbyte MAIN BLOCK |
| 7 0 0 0 0 H 6 F F F F H | 128-Kbyte MAIN BLOCK |
| 6 0 0 0 0 H 5 F F F F H | 128-Kbyte MAIN BLOCK |
| 5 0 0 0 0 H 4 F F F F H | 128-Kbyte MAIN BLOCK |
| 4 0 0 0 0 H 3 F F F F H | 128-Kbyte MAIN BLOCK |
| 3 0 0 0 0 H 2 F F F F H | 128-Kbyte MAIN BLOCK |
| 2 0 0 0 0 H 1 F F F F H | 128-Kbyte MAIN BLOCK |
| 1 0 0 0 0 H 0 F F F F H | 96-Kbyte MAIN BLOCK |
| 0 4 0 0 0 H 0 3 F F F H 0 3 0 0 0 H 0 2 F F F H 0 2 0 0 0 H 0 1 F F F H 0 0 0 0 0 H | 8-Kbyte PARAMETER BLOCK 8-Kbyte PARAMETER BLOCK 16-Kbyte BLOCK |

MX29L8100T Memory Map

| | |
|--|--|
| 7 F F F F H | 16-Kbyte BLOCK |
| 7 E 0 0 0 H 7 D F F F H 7 D 0 0 0 H 7 C F F F H 7 C 0 0 0 H 7 B F F F H | 8-Kbyte PARAMETER BLOCK 8-Kbyte PARAMETER BLOCK |
| 7 0 0 0 0 H 6 F F F F H | 96-Kbyte MAIN BLOCK |
| 6 0 0 0 0 H 5 F F F F H | 128-Kbyte MAIN BLOCK |
| 5 0 0 0 0 H 4 F F F F H | 128-Kbyte MAIN BLOCK |
| 4 0 0 0 0 H 3 F F F F H | 128-Kbyte MAIN BLOCK |
| 3 0 0 0 0 H 2 F F F F H | 128-Kbyte MAIN BLOCK |
| 2 0 0 0 0 H 1 F F F F H | 128-Kbyte MAIN BLOCK |
| 1 0 0 0 0 H 0 F F F F H | 128-Kbyte MAIN BLOCK |
| 0 0 0 0 0 H | 128-Kbyte MAIN BLOCK |

MX29L8100B Memory Map

BLOCK DIAGRAM

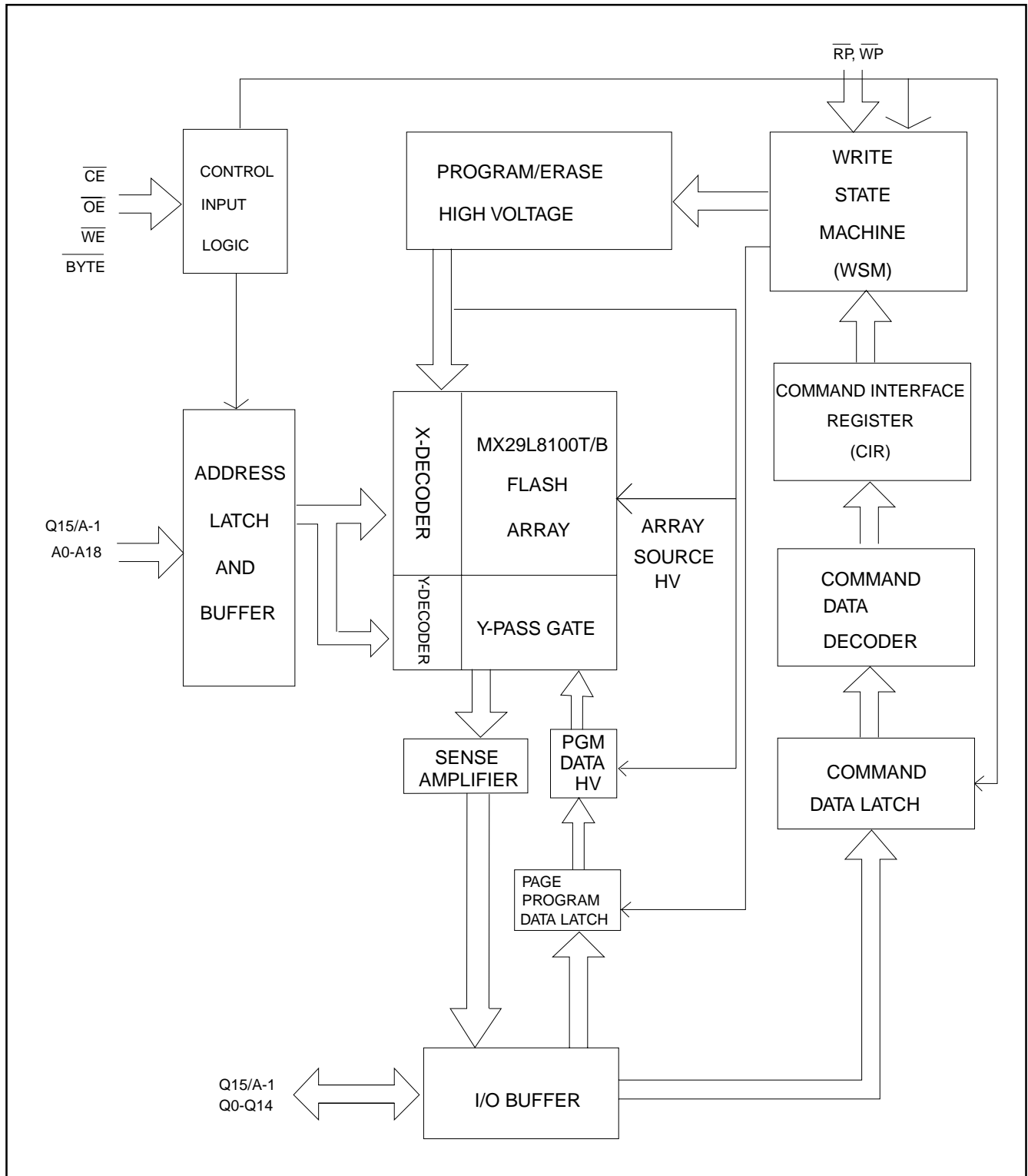




Table 1 .PIN DESCRIPTIONS

| SYMBOL | TYPE | NAME AND FUNCTION |
|--------------------------|--------------|--|
| A0 - A18 | INPUT | ADDRESS INPUTS: for memory addresses. Addresses are internally latched during a write cycle. |
| Q0 - Q7 | INPUT/OUTPUT | LOW-BYTE DATA BUS: Input data and commands during Command Interface Register(CIR) write cycles. Outputs array, status, identifier data, and page buffer in the appropriate read mode. Float to tri-state when the chip is deselected or the outputs are disabled. |
| Q8-Q14 | INPUT/OUTPUT | HIGH-BYTE DATA BUS:Input data during x16 Data-Write operations. Outputs array, identifier data in the appropriate read mode; not used for status register reads. Floated when the chip is de-selected or the outputs are disabled. |
| Q15/A-1 | INPUT/OUTPUT | Selectes between high-byte data INPUT/OUTPUT ($\overline{\text{BYTE}}=\text{HIGH}$) and LSB ADDRESS ($\overline{\text{BYTE}}=\text{LOW}$) |
| $\overline{\text{BYTE}}$ | INPUT | BYTE ENABLE: $\overline{\text{BYTE}}$ Low places device in x8 mode. All data is then input or output on Q0~7 and Q8~14 float. Address Q15/A-1 selectes between the high and low byte. $\overline{\text{BYTE}}$ high places the device in x16 mode, and turns off the Q15/A-1 input buffer. Address A0, then becomes the lowest order address. |
| $\overline{\text{CE}}$ | INPUT | CHIP ENABLE INPUTS: Activate the device's control logic, input buffers, decoders and sense amplifiers. With $\overline{\text{CE}}$ high, the device is deselected and power consumption reduces to Standby level upon completion of any current program or erase operations. $\overline{\text{CE}}$ must be low to select the device. |
| $\overline{\text{OE}}$ | INPUT | OUTPUT ENABLES: Gates the device's data through the output buffers during a read cycle. $\overline{\text{OE}}$ is active low. |
| $\overline{\text{WE}}$ | INPUT | WRITE ENABLE: Controls writes to the Command Interface Register(CIR). $\overline{\text{WE}}$ is active low. |
| $\overline{\text{RP}}$ | INPUT | RESET/DEEP POWER-DOWN: When $\overline{\text{RP}}$ is low, the device is in reset/deep power-down mode. When $\overline{\text{RP}}$ is high, the device is in standard operation. |
| $\overline{\text{WP}}$ | INPUT | WRITE PROTECTION: Provides a method for locking the 16K-block, using three voltage levels (VIL, VIH, and VHH). When $\overline{\text{WP}}$ is low, the 16K-block is locked. When $\overline{\text{WP}}$ is high the 16K-block is unlocked, if the 16K-block lockout bit is disabled. When $\overline{\text{WP}}$ is at VHH, the 16K-block is unlocked. This overrides the status of the lockout bit. See Section3 for details of data-protection |
| VCC | | DEVICE POWER SUPPLY(2.7V - 3.6V) |
| GND | | GROUND |



1.3 BUS OPERATION

Flash memory reads, erases and writes in-system via the local CPU . All bus cycles to or from the flash memory conform to standard microprocessor bus cycles. These bus operations are summarized below.

Table2-1 MX29L8100T/B Bus Operations for Byte-Wide Mode ($\overline{\text{BYTE}}=\text{VIL}$)

| Mode | Notes | $\overline{\text{CE}}$ | $\overline{\text{OE}}$ | $\overline{\text{WE}}$ | $\overline{\text{RP}}$ | A0 | A1 | A9 | Q0-Q7 | Q8-Q14 | Q15/A-1 |
|-----------------|-------|------------------------|------------------------|------------------------|------------------------|-----|-----|-----|-----------------------------------|--------|---------|
| Read | | VIL | VIL | VIH | VIH | X | X | X | DOUT | HighZ | VIL/VIH |
| Output Disable | | VIL | VIH | VIH | VIH | X | X | X | High Z | HighZ | X |
| Standby | | VIH | X | X | VIH | X | X | X | High Z | HighZ | |
| Deep power down | | X | X | X | VIL | X | X | X | HighZ | HighZ | X |
| Manufacturer ID | | VIL | VIL | VIH | VIH | VIL | VIL | VHH | C2H | HighZ | VIL |
| Device ID | | VIL | VIL | VIH | VIH | VIH | VIL | VHH | 85H(Top Boot) 84H(Bottom Boot) | HighZ | VIL |
| Write | | VIL | VIH | VIL | VIH | X | X | X | DIN | HighZ | VIL/VIH |

- NOTES** :1. X can be VIH or VIL for address or control pins.
 2. VHH = 11.5V- 12.5V.
 3. Q15/A-1=VIL, Q0~Q7=D0~D7 out, Q15/A-1=VIH, Q0~Q7=D8~D15 out

Table2-2 MX29L8100T/B Bus Operations for Word-Wide Mode ($\overline{\text{BYTE}}=\text{VIH}$)

| Mode | Notes | $\overline{\text{CE}}$ | $\overline{\text{OE}}$ | $\overline{\text{WE}}$ | $\overline{\text{RP}}$ | A0 | A1 | A9 | Q0-Q7 | Q8-Q14 | Q15/A-1 |
|-----------------|-------|------------------------|------------------------|------------------------|------------------------|-----|-----|-----|-----------------------------------|--------|---------|
| Read | | VIL | VIL | VIH | VIH | X | X | X | DOUT | DOUT | DOUT |
| Output Disable | | VIL | VIH | VIH | VIH | X | X | X | High Z | HighZ | HighZ |
| Standby | | VIH | X | X | VIH | X | X | X | High Z | HighZ | HighZ |
| Deep power down | | X | X | X | VIL | X | X | X | HighZ | HighZ | HighZ |
| Manufacturer ID | | VIL | VIL | VIH | VIH | VIL | VIL | VHH | C2H | 00H | 0B |
| Device ID | | VIL | VIL | VIH | VIH | VIH | VIL | VHH | 85H(Top Boot) 84H(Bottom Boot) | 00H | 0B |
| Write | | VIL | VIH | VIL | VIH | X | X | X | DIN | DIN | DIN |

- NOTES** :1.X can be VIH or VIL for address or control pins.
 2. VHH = 11.5V- 12.5V.



1.4 WRITE OPERATIONS

The Command Interface Register (CIR) is the interface between the microprocessor and the internal chip controller. Device operations are selected by writing specific address and data sequence into the CIR, using standard microprocessor write timings. Writing incorrect data value or writing them in improper sequence will reset the device to the read mode.(read array or read buffer) Table 3 defines the valid command sequences. Note that the Erase Suspend (B0H) and Erase Resume (30H) are valid only while an erase operation is in progress and will be

ignored in other circumstance. There are four read modes: Read Array, Read Silicon ID, Read Status Register, and Read Page Buffer. For Program and Erase inform the internal state machine that a program or erase sequence has been requested. During the execution of program or erase operation, the state machine will control the program /erase sequence. After the state machine has completed its task, it will set bit 7 of the Status Register (SR. 7) to a "1", which indicates that the CIR can respond to the full command set.

TABLE 3. COMMAND DEFINITIONS

| Command Sequence | | Read/Reset | Silicon ID Read | Page/Byte Program | Chip Erase | Block Erase | Erase Suspend | Erase Resume | Sleep Mode |
|-----------------------------|------|------------|--------------------|-------------------|------------|-------------|---------------|--------------|------------|
| Bus Write Cycles Required | | 1 | 4 | 4 | 6 | 6 | 1 | 1 | 3 |
| First Bus Write Cycle | Addr | XXXXH | 5555H | 5555H | 5555H | 5555H | XXXXH | XXXXH | 5555H |
| | Data | F0H | AAH | AAH | AAH | AAH | B0H | 30H | AAH |
| Second Bus Write Cycle | Addr | RA | 2AAAH | 2AAAH | 2AAAH | 2AAAH | | | 2AAAH |
| | Data | RD | 55H | 55H | 55H | 55H | | | 55H |
| Third Bus Write Cycle | Addr | | 5555H | 5555H | 5555H | 5555H | | | 5555H |
| | Data | | 90H | A0H | 80H | 80H | | | C0H |
| Fourth Bus Read/Write Cycle | Addr | | 00H/01H | PA | 5555H | 5555H | | | |
| | Data | | C2H/84H C2H/85H | PD | AAH | AAH | | | |
| Fifth Bus Write Cycle | Addr | | | | 2AAAH | 2AAAH | | | |
| | Data | | | | 55H | 55H | | | |
| Sixth Bus Write Cycle | Addr | | | | 5555H | SA | | | |
| | Data | | | | 10H | 30H | | | |



COMMAND DEFINITIONS(continue Table 3.)

| Command Sequence | | Lock 16K-block | Lock Status Read | Read Page Buffer | Write Page Buffer | Read Status Register | Clear Status Register | Clear Buffer |
|---------------------------|------|----------------|------------------|------------------|-------------------|----------------------|-----------------------|--------------|
| Bus Write Cycles Required | | 6 | 4 | 4 | 4 | 3 | 3 | 3 |
| First Bus | Addr | 5555H | 5555H | 5555H | 5555H | 5555H | 5555H | 5555H |
| Write Cycle | Data | AAH | AAH | AAH | AAH | AAH | AAH | AAH |
| Second Bus | Addr | 2AAAH | 2AAAH | 2AAAH | 2AAAH | 2AAAH | 2AAAH | 2AAAH |
| Write Cycle | Data | 55H | 55H | 55H | 55H | 55H | 55H | 55H |
| Third Bus | Addr | 5555H | 5555H | 5555H | 5555H | 5555H | 5555H | 5555H |
| Write Cycle | Data | 60H | 90H | 75H | E0H | 70H | 50H | 04H |
| Fourth Bus | Addr | 5555H | SA02H | PA | PA | | | |
| Read/Write Cycle | Data | AAH | C2H/00H | PD | PD | | | |
| Fifth Bus | Addr | 2AAAH | | | | | | |
| Write Cycle | Data | 55H | | | | | | |
| Sixth Bus | Addr | SA | | | | | | |
| Write Cycle | Data | 20H | | | | | | |

Notes:

- Address bit A15 -- A18 = X = Don't care for all address commands except for Program Address(PA) and Sector Address(SA). 5555H and 2AAAH address command codes stand for Hex number starting from A0 to A14.
- Bus operations are defined in Table 2.
- RA = Address of the memory location to be read.
PA = Address of the memory location to be programmed. Addresses are latched on the falling edge of the \overline{WE} pulse.
SA = Address of the block to be erased. The combination of A12 -- A18 will uniquely select any block.
- RD = Data read from location RA during a read operation.
PD = Data to be programmed at location PA. Data is latched on the rising edge of \overline{WE} .
- Erase can be suspended during sector erase with Addr = don't care, Data = B0H
- Erase can be resumed after suspend with Addr = don't care, Data = 30H.
- Clear Buffer set all buffer data to 1.
- Only Q0~Q7 command data is taken, Q8~Q15=Don't care
- In Lock Status Read, SA02H = 00002H for BOTTOM BOOT(Word/Byte Modes)
SA02H = FFF02H for TOP BOOT(Byte mode)
SA02H = 7FF02H for TOP BOOT(Word Mode)

2.0 DEVICE OPERATION

2.1 SILICON ID READ

The Silicon ID Read mode allows the reading out of a binary code from the device and will identify its manufacturer and type. This mode is intended for use by programming equipment for the purpose of automatically matching the device to be programmed with its corresponding programming algorithm. This mode is functional over the entire temperature range of the device.

To activate this mode, the programming equipment must force V_{HH} (11.5V~12.5V) on address pin A₉. Two identifier bytes may then be sequenced from the device outputs by toggling address A₀ from V_{IL} to V_{IH}. All addresses are don't cares except A₀ and A₁.

The manufacturer and device codes may also be read via the command register, for instances when the MX29L8100T/B is erased or programmed in a system without access to high voltage on the A₉ pin. The command sequence is illustrated in Table 3.

Following the command write, a read cycle with A₀ = V_{IL} retrieves the manufacturer code of C2H. A read cycle with A₀ = V_{IH} returns the device code. MX29L8100T Device Code =85H, MX29L8100B Device Code = 84H

To terminate the operation, it is necessary to write the Read/Reset command sequence into the CIR.

Table 4. MX29L8100T/B Silion ID Codes and Verify Sector Protect Code

| Type | A ₁₈ ~A ₂ | A ₁ | A ₀ | Code(HEX) | DQ ₇ | DQ ₆ | DQ ₅ | DQ ₄ | DQ ₃ | DQ ₂ | DQ ₁ | DQ ₀ |
|----------------------------|---------------------------------|-----------------|-----------------|-----------|-----------------|-----------------|-----------------|-----------------|-----------------|-----------------|-----------------|-----------------|
| Manufacturer Code | X | V _{IL} | V _{IL} | C2H | 1 | 1 | 0 | 0 | 0 | 0 | 1 | 0 |
| MX29L8100T Device Code | X | V _{IL} | V _{IH} | 85H | 1 | 0 | 0 | 0 | 0 | 1 | 0 | 1 |
| MX29L8100B Device Code | X | V _{IL} | V _{IH} | 84H | 1 | 0 | 0 | 0 | 0 | 1 | 0 | 0 |
| Verify 16K-Block Protect** | SA | V _{IH} | V _{IL} | C2H* | 1 | 1 | 0 | 0 | 0 | 0 | 1 | 0 |

* Outputs C2H if 16K-block is protected (lockout bit is enabled), 00H otherwise.

** Only the 16K-Block has protect-bit feature.

MX29L8100B Manufacturer Code=C2H, Device Code=84H when $\overline{\text{BYTE}}=\text{VIL}$.

MX29L8100T Manufacturer Code=C2H, Device Code=85H when $\overline{\text{BYTE}}=\text{VIL}$.

MX29L8100B Manufacturer Code=00C2H, Device Code=0084H when $\overline{\text{BYTE}}=\text{VIH}$.

MX29L8100T Manufacturer Code=00C2H, Device Code=0085H when $\overline{\text{BYTE}}=\text{VIH}$.

2.2 READ/RESET COMMAND

The read or reset operation is initiated by writing the Read/Reset command sequence into the command register. Microprocessor read cycles retrieve array data from the memory. The device remains ready for reads until the CIR contents are altered by a valid command sequence.

The device will automatically power-up in the read/reset state. In this case, a command sequence is not required to read data. Standard microprocessor read cycles will retrieve array data. This default value ensures that no spurious alteration of the memory content occurs during

the power transition. Refer to the AC Read Characteristics and Waveforms for the specific timing parameters.

The MX29L8100T/B is accessed like an EPROM. When $\overline{\text{CE}}$ and $\overline{\text{OE}}$ are low and $\overline{\text{WE}}$ is high the data stored at the memory location determined by the address pins is asserted on the outputs. The outputs are put in the high impedance state whenever $\overline{\text{CE}}$ or $\overline{\text{OE}}$ is high. This dual line control gives designers flexibility in preventing bus contention.

Note that the Read/Reset command is not valid when program or erase is in progress.

2.3 PAGE PROGRAM

To initiate Page program mode, a three-cycle command sequence is required. There are two "unlock" write cycles. These are followed by writing the page program command A0H. Any attempt to write to the device without the three-cycle command sequence will not start the internal Write State Machine (WSM), no data will be written to the device.

After three-cycle command sequence is given, a byte load is performed by applying a low pulse on the \overline{WE} or \overline{CE} input with \overline{CE} or \overline{WE} low (respectively) and \overline{OE} high. The address is latched on the falling edge of \overline{CE} or \overline{WE} , whichever occurs last. The data is latched by the first rising edge of \overline{CE} or \overline{WE} . Maximum of 128 bytes of data may be loaded into each page.

2.3.1 BYTE-WIDE LOAD/WORD-WIDE LOAD

Byte(word) loads are used to enter the 128 bytes (64 words) of a page to be programmed or the software codes for data protection. A byte load (word load) is performed by applying a low pulse on the \overline{WE} or \overline{CE} input with \overline{CE} or \overline{WE} low respectively) and \overline{OE} high. The address is latched on the falling edge of \overline{CE} or \overline{WE} , whichever occurs last. The data is latched by the first rising edge of \overline{CE} or \overline{WE} .

Either byte-wide load or word-wide load is determined ($\overline{BYTE}=\overline{VIL}$ or \overline{VIH} is latched) on the falling edge of the \overline{WE} (or \overline{CE}) during the 3rd command write cycle.

2.3.2 PROGRAM

Any page to be programmed should have the page in the erased state first, i.e. performing sector erase is suggested before page programming can be performed.

The device is programmed on a page basis. If a byte of data within a page is to be changed, data for the entire page can be loaded into the device. Any byte that is not loaded during the programming of its page will be still in the erased state (i.e. FFH). Once the bytes of a page are loaded into the device, they are simultaneously programmed during the internal programming period. After the first data byte has been loaded into the device, successive bytes are entered in the same manner. Each new byte to be programmed must have its high to low

transition on \overline{WE} (or \overline{CE}) within 30us of the low to high transition of \overline{WE} (or \overline{CE}) of the preceding byte. A6 to A18 specify the page address, i.e., the device is page-aligned on 128 bytes boundary. The page address must be valid during each high to low transition of \overline{WE} or \overline{CE} . A-1 to A5 specify the byte address within the page. The byte may be loaded in any order; sequential loading is not required. If a high to low transition of \overline{CE} or \overline{WE} is not detected within 100us of the last low to high transition, the load period will end and the internal programming period will start. The load period will also end if the same address is consecutively loaded twice. The first data and address will be treated as normal data to be programmed. The second data needs to be "00" to terminate the load cycle. Other numbers besides "00" are reserved for future use.

The status of program can be determined by checking the Status Register. While the program operation is in progress, bit 7 of the Status Register (SR.7) is "0". When the Status Register indicates that program is complete (when SR.7 = 1), the Program Status bit should be checked to verify that the program operation was successful. If the program operation was unsuccessful, SR.4 of the Status Register will be set to "1" to indicate a program failure. The Status Register should be cleared before attempting the next operation.

2.4 CHIP ERASE

Chip erase is a six-bus cycle operation. There are two "unlock" write cycles. These are followed by writing the "set-up" command-80H. Two more "unlock" write cycles are then followed by the Chip Erase command 10H. Chip erase does not require the user to program the device prior to erase. The 16K-Block will not be erased if it is protected (16K-Block Lockout bit enabled).

The Auto Chip Erase begins on the rising edge of the last \overline{WE} pulse in the command sequence and terminates when the status on SR.7 is "1". While the erase sequence is in progress, SR.7 of the Status Register is "0". When erase is complete, the Erase Status bit should be checked. If the erase operation was unsuccessful, SR.5 of the Status Register is set to a "1" to indicate an erase failure. Clear the Status Register before attempting the next operation.



2.5 BLOCK ERASE

Sector erase is a six-bus cycle operation. There are two "unlock" write cycles. These are followed by writing the set-up command 80H. Two more "unlock" write cycles are then followed by the sector erase command-30H. The sector address is latched on the falling edge of \overline{WE} , while the command (data) is latched on the rising edge of \overline{WE} . Only one sector can be erased at a time.

Sector erase does not require the user to program the device prior to erase. The system is not required to provide any controls or timings during these operations.

The AutomaticBlock Erase begins on the rising edge of the last \overline{WE} pulse in the command sequence and terminates when the data on SR.7 is "1". When erasing a block, the remaining unselected blocks are unaffected. During the execution of the Block Erase command, only the Erase Suspend and Erase Resume commands are allowed. The Erase Suspend/Resume command may be issued as many time as required. Similar to the Chip Erase mode, the Status Register should be checked when erase is complete.

2.6 ERASE SUSPEND AND RESUME

The Erase Suspend command is provided to allow the user to interrupt an erase sequence and then read data from a block other than that which is being erased. This command is applicable only during the erase operation. During the erase operation, writing the Erase Suspend command to the CIR will cause the internal state machine to pause the erase sequence at a predetermined point. The Status Register will indicate when the erase operation has been suspended.

Once in erase suspend, a Read Array command can be written to the CIR in order to read data from blocks not being erase suspended. The only other valid commands during erase suspend are Erase Resume and Read Status Register commands. Read Page Buffer command, however, is not applicable during erase suspend.

To resume the erase operation, the Erase Resume command 30H should be written to the CIR. Another Erase Suspend command can be written after the chip has resumed erasing.

Table5. Status Register Bit Definition

| | | | | | |
|------|-----|----|----|-----|-----|
| WSMS | ESS | ES | PS | SLP | SLK |
| 7 | 6 | 5 | 4 | 2 | 1 |

| | |
|---|---|
| SR.7 = WRITE STATE MACHINE STATUS(WSMS) 1 = Ready 0 = Busy | NOTE : State machine bit must first be checked to determine Program or Erase completion, before the Program or Erase Status bits are checked for success. |
| SR.6 = ERASE-SUSPEND STATUS (ESS) 1 = Erase Suspended 0 = Erase in Progress/Completed | When Erase Suspend is issued, state machine halts execution and sets both WSMS and ESS bits to "1," ESS bit remains set to "1" until an Erase Resume command is issued. |
| SR.5 = ERASE STATUS 1 = Error in Erase 0 = Successful Erasure | When this bit set to "1," state machine has applied the maximum number of erase pulses to the device and is still unable to successfully verify erasure. |
| SR.4 = PROGRAM STATUS 1 = Error in Page/Byte Program 0 = Successful Page/Byte Program | When this bit is set to "1," state machine has attempted but failed to program page data. |
| SR.2 = SLEEP STATUS 1 = Device in sleep mode 0 = Device not in sleep mode | When this bit is set to "1", the device is in sleep mode(deep power-down). Writing the Read Array command will wake up the device, and the device will return to standby. |
| SR.3 = 0 | |
| SR.1 = Boot sector lock status 1: lock, 0: unlock | |
| Others = Reserved for future enhancements | |

2.7 STATUS REGISTER

The device contains a Status Register which may be read to determine when a Program or Erase operation is complete, and whether that operation completed successfully. The Status Register may be read at any time by writing the Read Status command to the command interface. After writing this command, all subsequent Read operations output data from the Status Register until another command is written to the command interface. A Read Array command must be written to the command interface to return to the read array mode. The Status Register bits are output on DQ[0:7].

In the word-wide(x16) mode the upper byte, DQ(8:15) is set to 00H during a Read status command, in the byte-wide mode, DQ(8:14) are tri-stated and DQ15/A-1 retains the low order address function.

The contents of the Status Register are latched on the falling edge of \overline{OE} or \overline{CE} , whichever occurs last in the read cycle. This prevents possible bus errors which might occur if the contents of the Status Register change while reading the Status Register. \overline{CE} or \overline{OE} must be toggled with each subsequent status read, or the completion of a Program or Erase operation will not be evident from the Status Register.

When the state machine is active, this register will indicate the status of the state machine, and will also hold the bits indicating whether or not the state machine was successful in performing the desired operation.

2.7.1 CLEARING THE STATUS REGISTER

The state machine sets status bits 4 through 7 to "1", and clears bits 6 and 7 to "0", but cannot clear status bits 4 and 5 to "0". Bits 4 and 5 can only be cleared by the controlling CPU through the use of the Clear Status Register command. These bits can indicate various error conditions. By allowing the system software to control the resetting of these bits, several operations may be performed (such as cumulatively programming several bytes or erasing multiple blocks in sequence). The Status Register may then be read to determine if an error occurred during that programming or erasure series. This adds flexibility to the way the device may be programmed or erased. Once an error occurred, the command Interface only responds to clear Status Register, Read Status Register and Read Array. To clear the Status Register,

the Clear Status Register command is written to the command interface. Then, any other command may be issued to the command interface. Note, again, that before read cycle can be initiated, a Read Array command must be written to the command interface to specify whether the read data is to come from the Memory Array, Status Register, Page Buffer, or silicon ID.

2.8 SLEEP MODE

The MX29L8100T/B features a software controlled low power modes: Sleep modes. Sleep mode is allowed during any current operations except that once Suspend command is issued, Sleep command is ignored. To activate Sleep mode, a three-bus cycle operation is required. The C0H command (Refer to Table 3) puts the device in the Sleep mode. Once in the Sleep mode and with CMOS input level applied, the power of the device is reduced to deep power-down current levels. The only power consumed is diffusion leakage, transistor subthreshold conduction, input leakage, and output leakage.

The Sleep command allows the device to complete its current operations before going into Sleep mode. During Sleep mode, Silicon ID codes remain valid and can still be read. The Device Sleep Status bit SR.2 will indicate that the device in the sleep mode. The device is in read SR. mode during sleep mode.

Writing the Read Array command wakes up the device out of sleep mode. SR.2 is reset to "0" and device returns to standby current level.

2.9 PAGE BUFFER READ AND WRITE

The MX29L8100T/B has 128 Bytes of page buffers, which can work as SRAM to store temporary data for fast access purpose. To write data into page buffers, the Write Page Buffer command is written to the CIR. There are two "unlock" write cycles, followed by the command E0H. Loading data to page buffer is similar to that in Page Program. Sequential loading is not required. (A-1 to A5 in byte mode, or A0 to A5 in word mode) must be valid to specify byte address within the page buffers during each high-to-low transition of \overline{WE} or \overline{CE} . Each new byte to be stored must have its high-to-low transition of \overline{WE} or \overline{CE} within 30 us of the low-to-high transition of \overline{WE} or \overline{CE} of the preceding byte. Otherwise, the Write Page Buffer mode is terminated automatically.

To read data from the page buffer, the Read Page Buffer command is written to the CIR. There are two "unlock" write cycles, which are followed by the command 75H. Each subsequent toggle of address (or \overline{OE} , \overline{CE}) will read data from the specified byte address of the page buffer (A-1 to A5 in byte mode or A0 to A5 in word mode). To terminate the operation, it is necessary to write the Read/Reset command sequence into the CIR.

2.9.1 BYTE-WIDE LOAD/WORD-WIDE LOAD

Byte(word) loads are used to enter the 128 bytes (64 words) of a page to be programmed or the software codes for data protection. A byte load (word load) is performed by applying a low pulse on the \overline{WE} or \overline{CE} input with \overline{CE} or \overline{WE} low respectively) and \overline{OE} high. The address is latched on the falling edge of \overline{CE} or \overline{WE} , whichever occurs last. The data is latched by the first rising edge of \overline{CE} or \overline{WE} .

Either byte-wide load or word-wide load is determined ($\overline{BYTE}=VIL$ or VIH is latched) on the falling edge of the \overline{WE} (or \overline{CE}) during the 3rd command write cycle.

3.0 DATA PROTECTION

The MX29L8100T/B is designed to offer protection against accidental erasure or programming caused by spurious system level signals that may exist during power transitions. During power up the device automatically resets the internal state machine in the Read Array mode. Also, with its control register architecture, alteration of the memory contents only occurs after successful completion of specific multi-bus cycle command sequences.

The device also incorporates several features to prevent inadvertent write cycles resulting from VCC power-up and power-down transitions or system noise.

3.1 16K-BLOCK LOCKING

The MX29L8100T/B features hardware 16K-Block protection. This feature will disable both program and erase operations in the 16K-Block. The block protection feature is enabled using system software by the user (Refer to Table 3). The device is shipped with 16K-Block unprotected. Alternatively, MXIC may protect 16K-Block in the factory prior to shipping the device.

3.1.1 LOCK BLOCK

To active this mode, a six-bus cycle operation is required. There are two "unlock" write cycles. These are followed by writing the "set-up" command. Two more "unlock" write cycles are then followed the Lock Sector command 20H. The automatic Lock operation begins on the rising edge of the last \overline{WE} pulse in the command sequence and terminates when the status on SR.7 is "1" at which time the device stays at the read mode.

3.1.2 LOCK STATUS READ

To verify the Protect status of the 16K-Block, operation is initiated by writing Silicon ID read command into the command register. Following the command write, a read cycle from address SA02H (See Table 3) retrieves the Manufacturer code of (C2H in byte mode, 00C2H in word mode) if the 16K-Block is protected. If the 16K-Block is unprotected, (00H in byte mode, 0000H in word mode) will be read instead. To terminate the operation, it is necessary to write the Read/Reset command sequence into the CIR.

The lock status information can also be retrieved by reading SR. . The SR.1 = "1" if 16K-Block is locked. The SR.1 = "0" if 16K-Block is unlocked.

A few retries are required if Protect status can not be verified successfully after each operation.

Execute lock bit protection operation three additional times after protect bit is verified successfully to guarantee lock bit status under all conditions.

3.2 HARDWARE PROTECTION

Protection for parameter blocks and main blocks can be achieved using combinations of \overline{RP} and \overline{WP} pins.

3.2.1 $\overline{RP} = VIL$ FOR COMPLETE PROTECTION

For complete data protection of all blocks, the \overline{RP} can be held low.

3.2.2 $\overline{WP} = VIL$ FOR 16K-BLOCK LOCKING

When $\overline{WP} = VIL$, the 16K-block is locked, while all other blocks remain unlocked in this condition and can be programmed or erased normally.

3.2.3 $\overline{WP} = V_{HH}$ FOR 16K-BLOCK UNLOCKING

If $\overline{WP} = V_{HH}$, the 16K-Block is unlocked and can be programmed or erased. Note that this feature will override the 16K-Block Lock bit protection.

3.2.4 $\overline{WP} = V_{IH}$ FOR REGULAR BLOCK UNLOCKING

If $\overline{WP} = V_{IH}$ and $\overline{RP} = V_{IH}$, all the regular blocks (parameter blocks and main blocks) are unlocked and can be programmed or erased. In this condition, whether the 16K-Block is locked is dependent on the 16K-Block Lock bit. If the 16K-Block Lock bit is enabled, then the 16K-Block is still protected; otherwise, it is unlocked. The following truth table clearly defines the write protection methods.

Table 5. WRITE PROTECTION TRUTH TABLE FOR MX29L8100T/B

| RP | WP | 16K-Block Lockout bit | Write Protection Provided | |
|-----------------|-----------------|--------------------------|---------------------------|---------------|
| | | | 16K-Block | Regular Block |
| V _{IH} | V _{HH} | X | unlocked | unlocked |
| V _{IL} | X | X | locked | locked |
| V _{IH} | V _{IL} | X | locked | unlocked |
| V _{IH} | V _{IH} | 1 | locked | unlocked |
| V _{IH} | V _{IH} | 0 | unlocked | unlocked |

3.3 LOW VCC WRITE INHIBIT

To avoid initiation of a write cycle during VCC power-up and power-down, a write cycle is locked out for VCC less than VLKO (typically 1.8V). If $V_{CC} < V_{LKO}$, the command register is disabled and all internal program/erase circuits are disabled. Under this condition the device will reset to the read mode. Subsequent writes will be ignored until the VCC level is greater than VLKO. It is the user's responsibility to ensure that the control pins are logically correct to prevent unintentional write when VCC is above VLKO.

3.4 WRITE PULSE "GLITCH" PROTECTION

Noise pulses of less than 5ns (typical) on \overline{CE} or \overline{WE} will not initiate a write cycle.

3.5 LOGICAL INHIBIT

Writing is inhibited by holding any one of $\overline{OE} = V_{IL}$, $\overline{CE} = V_{IH}$ or $\overline{WE} = V_{IH}$. To initiate a write cycle \overline{CE} and \overline{WE} must be a logical zero while \overline{OE} is a logical one.

Figure 1. AUTO PAGE PROGRAM FLOW CHART

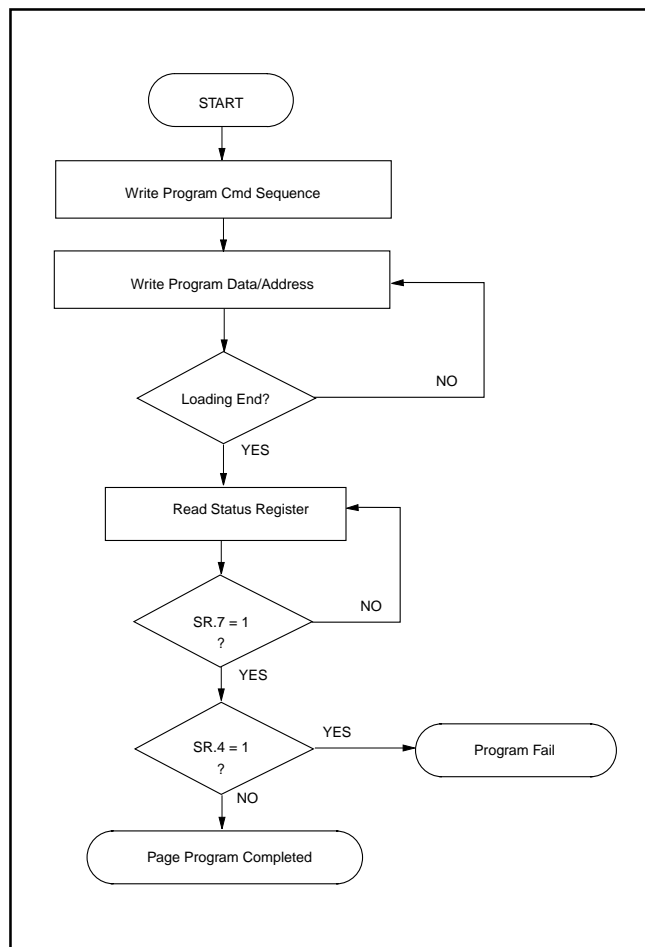


Figure 2. AUTO ERASE FLOW CHART

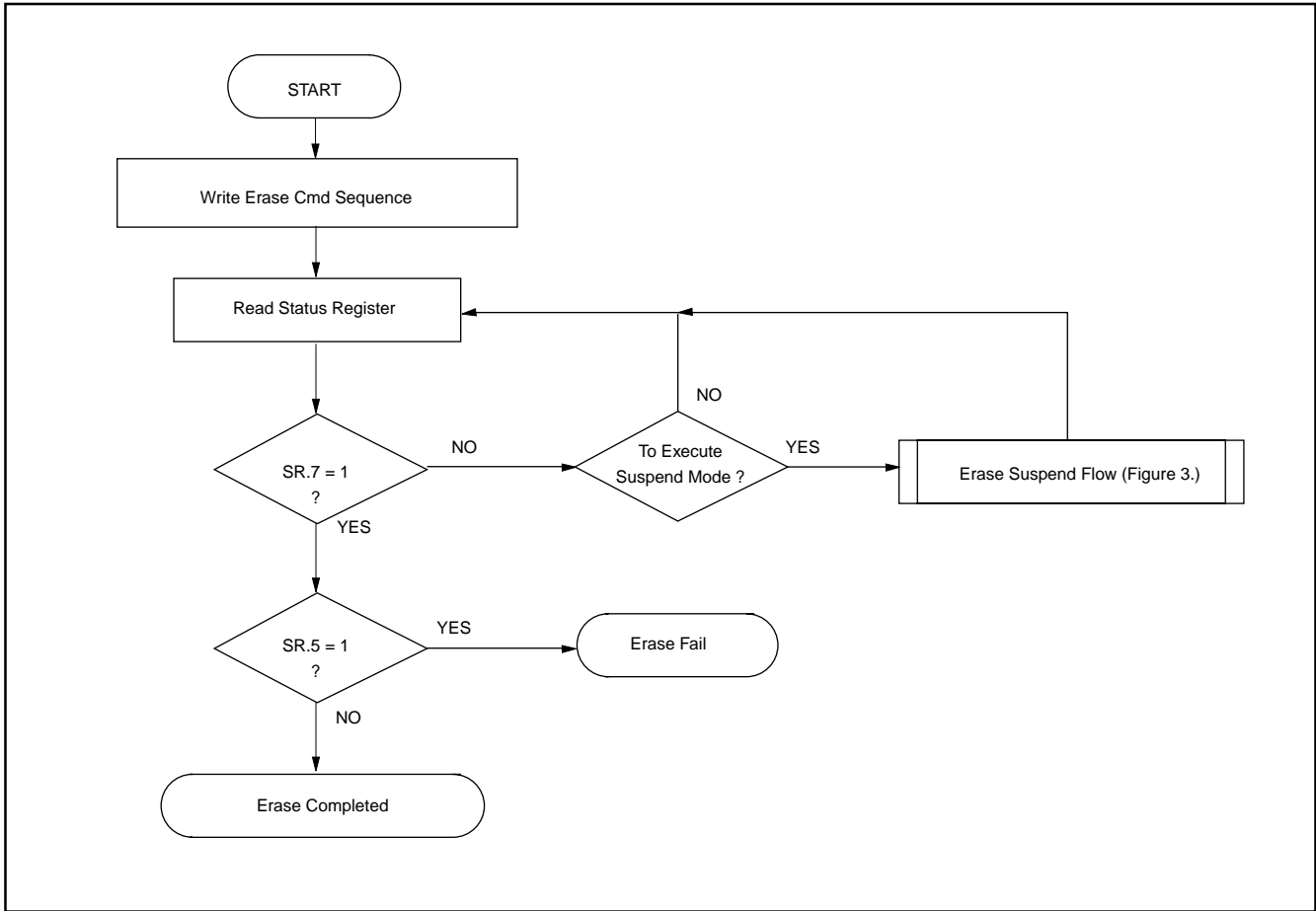


Figure 3. ERASE SUSPEND/ERASE RESUME FLOW CHART

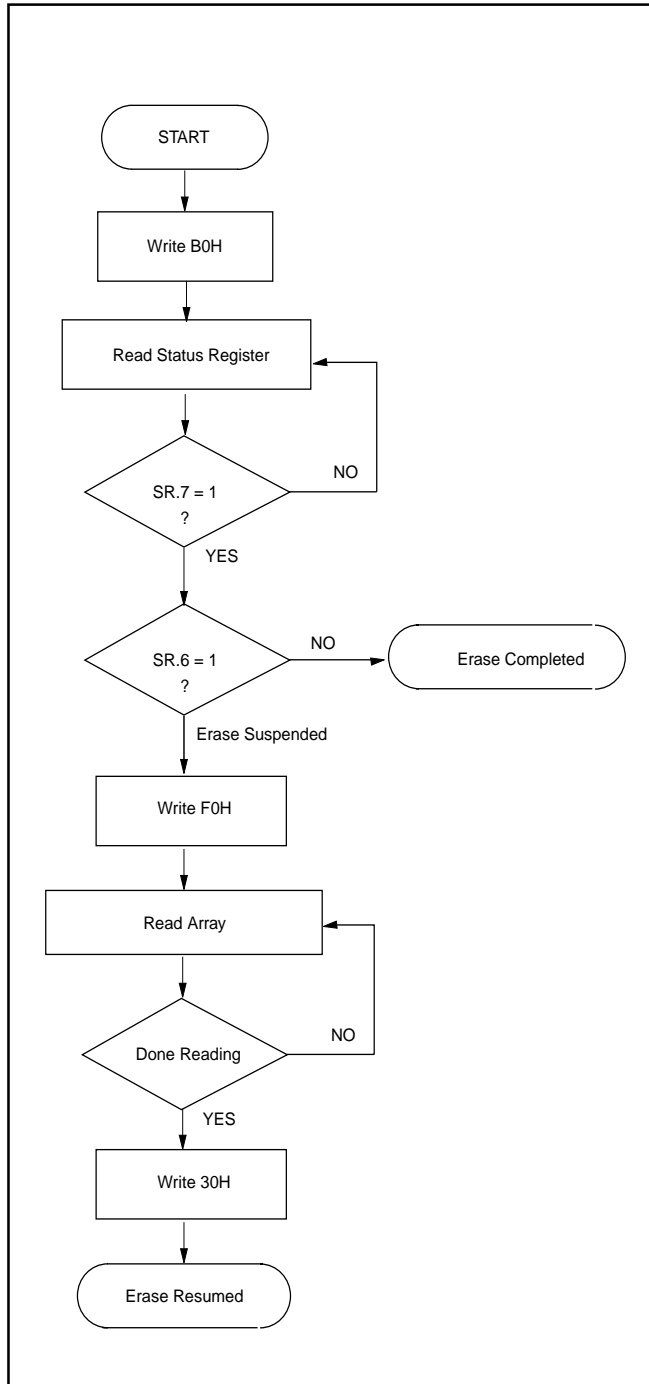


Figure 4. 16K-BLOCK PROTECTION FLOW CHART

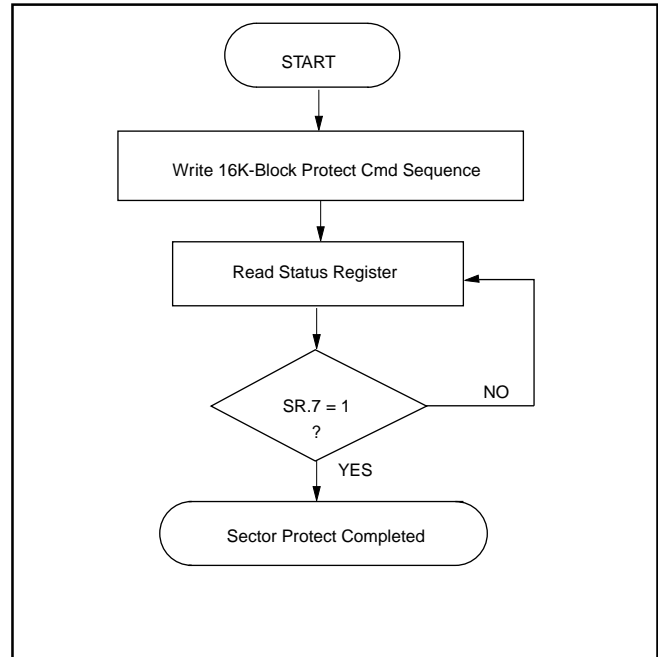
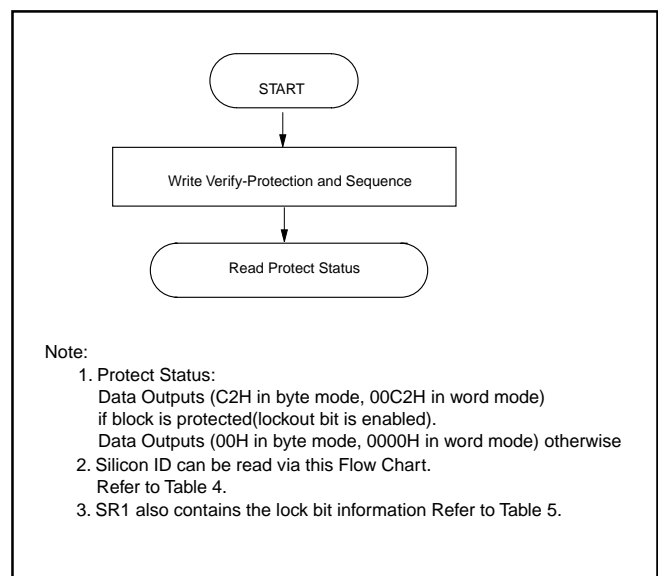


Figure 5. VERIFY 16K-BLOCK PROTECT FLOW CHART



5.0 ELECTRICAL SPECIFICATIONS

ABSOLUTE MAXIMUM RATINGS

| RATING | VALUE |
|-------------------------|--------------------|
| Ambient Temperature | -40°C to 85°C |
| Storage Temperature | -65°C to 125°C |
| Applied Input Voltage | -0.5V to VCC + 4.5 |
| Applied Output Voltage | -0.5V to VCC + 0.6 |
| VCC to Ground Potential | -0.5V to 5.5V |
| A9, \overline{WP} | -0.5V to 13.0V |

OPERATING RANGES

| RATING | VALUE |
|---------------------|---|
| Ambient Temperature | 0°C to 70°C (Comm.) -40°C to 85°C (Ind.) |
| Vcc Supply Voltage | 2.7V to 3.6V |

NOTICE:

1. This document contains information on product in the design phase of development. Revised information will be published when the product is available.

2. Specifications contained within the following tables are subject to change.

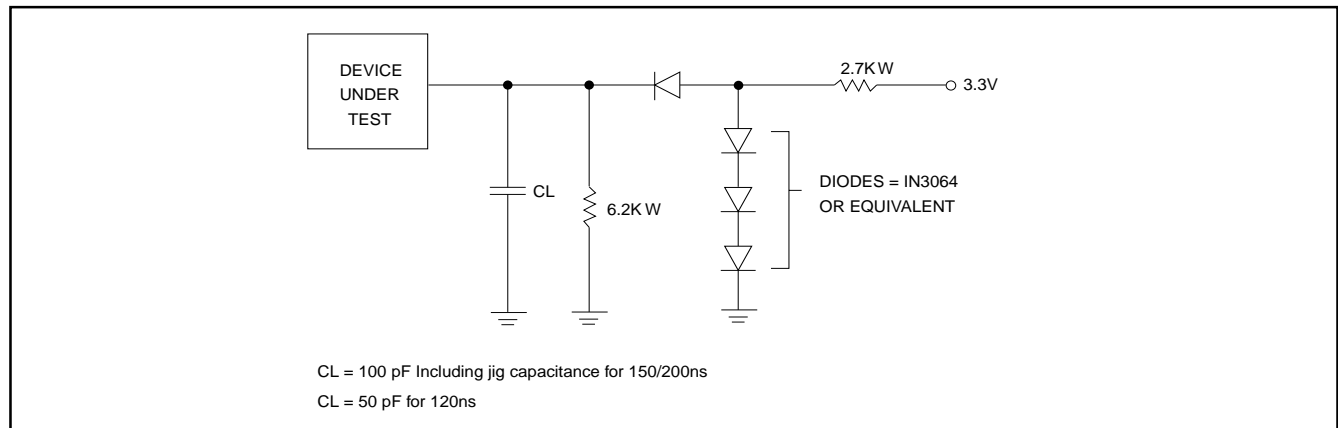
WARNING:

Stresses greater than those listed under ABSOLUTE MAXIMUM RATINGS may cause permanent damage to the device. This is stress rating only and functional operational sections of this specification is not implied. Exposure to absolute maximum rating conditions for extended period may affect reliability.

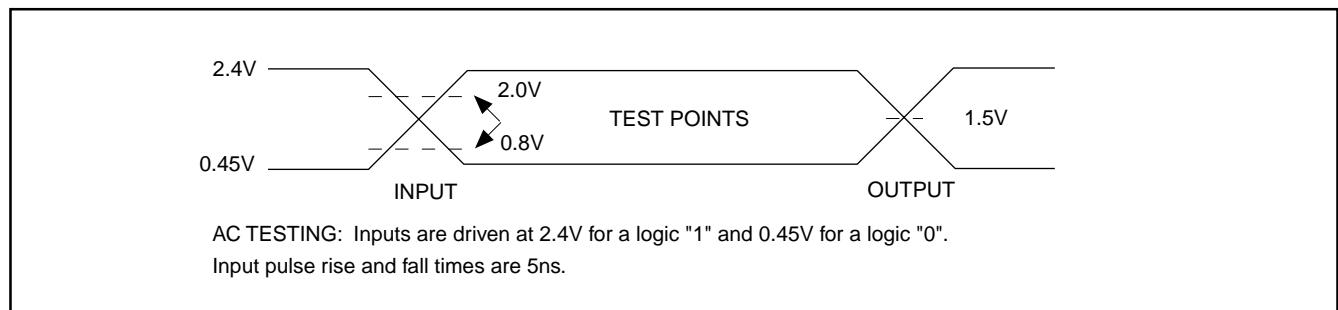
CAPACITANCE TA = 25°C, f = 1.0 MHz

| SYMBOL | PARAMETER | MIN. | TYP. | MAX. | UNIT | CONDITIONS |
|--------|--------------------|------|------|------|------|------------|
| CIN | Input Capacitance | | | 14 | pF | VIN = 0V |
| COUT | Output Capacitance | | | 16 | pF | VOUT = 0V |

SWITCHING TEST CIRCUITS



SWITCHING TEST WAVEFORMS





5.1 DC CHARACTERISTICS $V_{cc} = 2.7V$ to $3.6V$

| SYMBOL | PARAMETER | NOTES | MIN. | TYP. | MAX. | UNITS | TEST CONDITIONS |
|--------|-----------------------------|-------|------|------|--------------|---------|--|
| IIL | Input Load Current | 1 | | | ± 1 | μA | $V_{CC} = V_{CC} \text{ Max}$ $V_{IN} = V_{CC} \text{ or GND}$ |
| ILO | Output Leakage Current | 1 | | | ± 10 | μA | $V_{CC} = V_{CC} \text{ Max}$ $V_{IN} = V_{CC} \text{ or GND}$ |
| ISB1 | VCC Standby Current(CMOS) | 1 | | 20 | 30 | μA | $V_{CC} = V_{CC} \text{ Max}$ $\overline{CE} = V_{IH}$ |
| ISB2 | VCC Standby Current(TTL) | | | 1 | 2 | mA | $V_{CC} = V_{CC} \text{ Max}$ $\overline{CE} = V_{IH}$ |
| ICC1 | VCC Read Current | 1 | | 20 | 35 | mA | $V_{CC} = V_{CC} \text{ Max}$ $f = 10\text{MHz}$, $I_{OUT} = 0 \text{ mA}$ |
| ICC2 | VCC Erase Suspend Current | 1,2 | | | 5 | mA | $\overline{CE} = V_{IH}$ Block Erase Suspended |
| ICC3 | VCC Program Current | 1 | | 15 | 30 | mA | Program in Progress |
| ICC4 | VCC Erase Current | 1 | | 15 | 30 | mA | Erase in Progress |
| IPPD | VCC Deep Power-down Current | | | 1 | 8 | μA | $V_{CC} = V_{CC} \text{ Max}$ $\overline{RP} = V_{IL}$ |
| VIL | Input Low Voltage | 3 | -0.3 | | 0.6 | V | |
| VIH | Input High Voltage | 4 | 2.0 | | $V_{CC}+0.3$ | V | |
| VOL | Output Low Voltage | | | | 0.45 | V | $I_{OL} = 2.1\text{mA}$, $V_{cc} = V_{cc} \text{ Min}$ |
| VOH | Output High Voltage | | 2.4 | | | V | $I_{OH} = -100\mu A$, $V_{cc} = V_{cc} \text{ Min}$ |

NOTES:

1. All currents are in RMS unless otherwise noted. Typical values at $V_{CC} = 3.0V$, $T = 25^{\circ}C$. These currents are valid for all product versions (package and speeds).
2. ICC2 is specified with the device de-selected. If the device is read while in erase suspend mode, current draw is the sum of ICC2 and ICC1.
3. VIL min. = -1.0V for pulse width $\leq 50\text{ns}$.
VIL min. = -2.0V for pulse width $\leq 20\text{ns}$.
4. VIH max. = $V_{CC} + 1.5V$ for pulse width $\leq 20\text{ns}$. If VIH is over the specified maximum value, read operation cannot be guaranteed.

5.2 AC CHARACTERISTICS --- READ OPERATIONS

| SYMBOL | DESCRIPTIONS | 29L8100T/B-12 | | 29L8100T/B-15 | | 29L8100T/B-20 | | UNIT | CONDITIONS |
|--------|--|---------------|------|---------------|------|---------------|------|------|-----------------------------------|
| | | MIN. | MAX. | MIN. | MAX. | MIN. | MAX. | | |
| tACC | Address to Output Delay | | 120 | | 150 | | 200 | ns | $\overline{CE}=\overline{OE}=VIL$ |
| tCE | \overline{CE} to Output Delay | | 120 | | 150 | | 200 | ns | $\overline{OE}=VIL$ |
| tOE | \overline{OE} to Output Delay | | 60 | | 75 | | 100 | ns | $\overline{CE}=VIL$ |
| tDF(1) | \overline{OE} High to Output Delay | 0 | 55 | 0 | 55 | 0 | 55 | ns | $\overline{CE}=VIL$ |
| tOH | Address to Output hold | 0 | | 0 | | 0 | | ns | $\overline{CE}=\overline{OE}=VIL$ |
| tBACC | \overline{BYTE} to Output Delay | | 120 | | 150 | | 200 | ns | $\overline{CE}=\overline{OE}=VIL$ |
| tBHZ | \overline{BYTE} Low to Output in HighZ | | 55 | | 55 | | 70 | ns | $\overline{CE}=VIL$ |

TEST CONDITIONS:

- Input pulse levels: 0.45V/2.4V
- Input rise and fall times: 5ns
- Output load: 1TTL gate+100pF(Including scope and jig) (100pF loading for 150ns, 200ns read speed.) (50pF loading for 120ns read speed.)
- Reference levels for measuring timing: 1.5V

NOTE:

1. tDF is defined as the time at which the output achieves the open circuit condition and data is no longer driven.

Figure 6.1 READTIMING WAVEFORMS

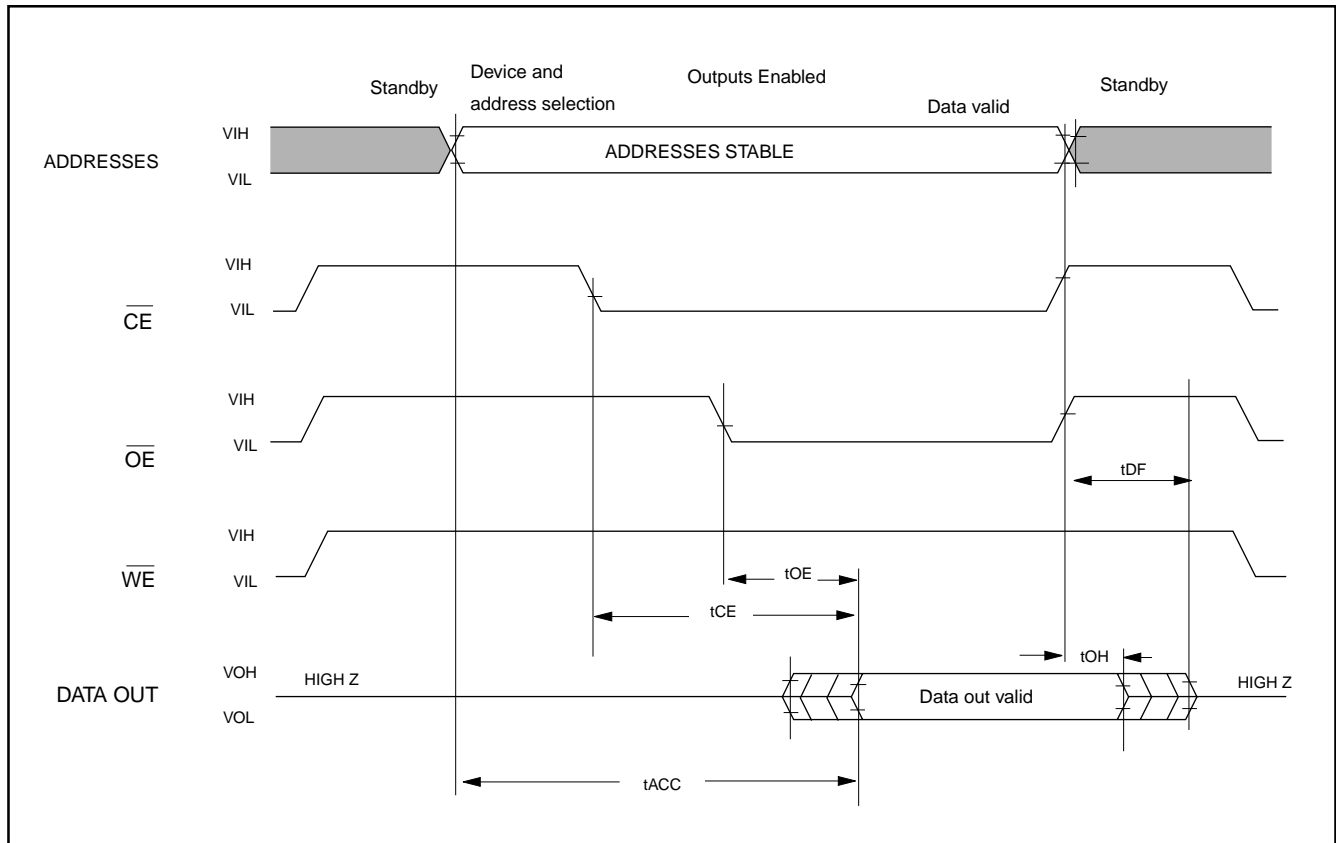
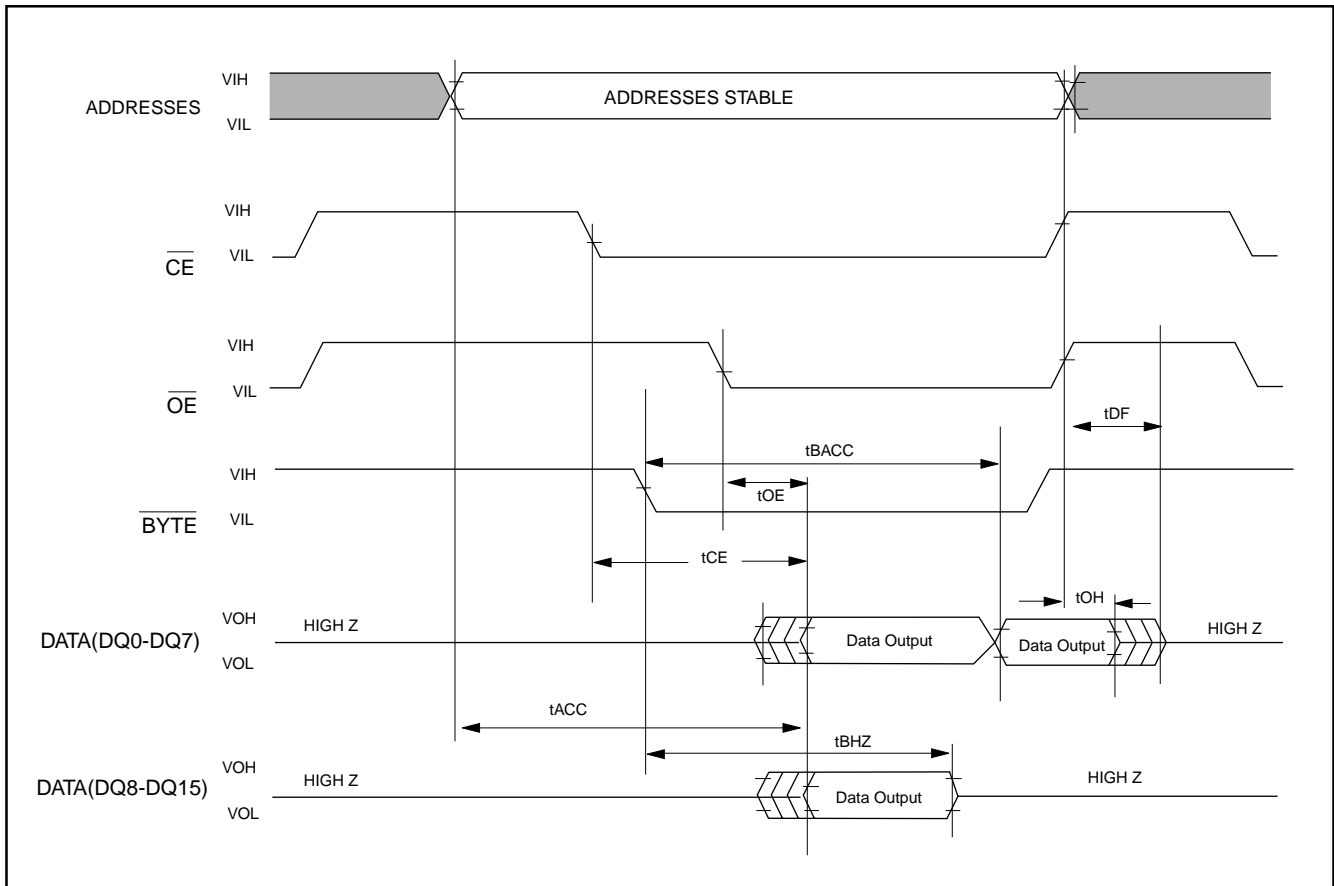


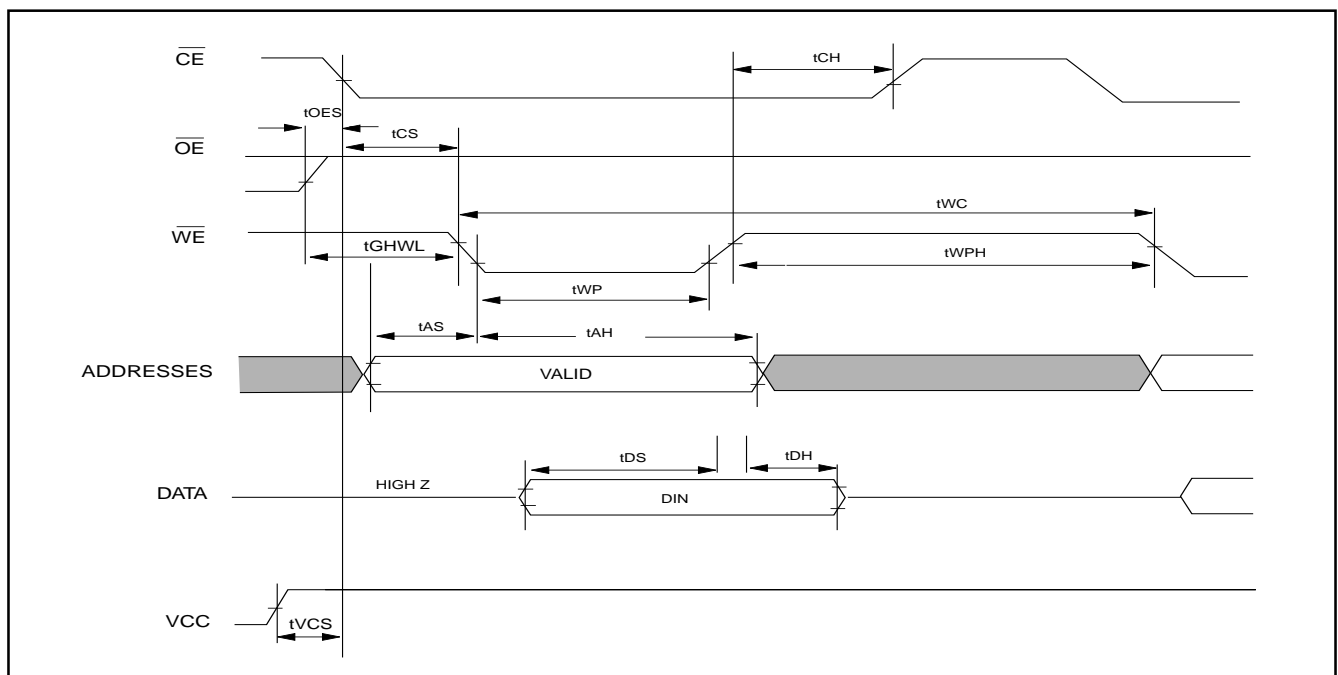
Figure 6.2 BYTE TIMING WAVEFORMS



5.3 AC CHARACTERISTICS --- WRITE/ERASE/PROGRAM OPERATIONS

| SYMBOL | DESCRIPTIONS | 29L8100T/B-12 | | 29L8100T/B-15 | | 29L8100T/B-20 | | UNIT |
|--------|--|---------------|------|---------------|------|---------------|------|------|
| | | MIN. | MAX. | MIN. | MAX. | MIN. | MAX. | |
| tWC | Write Cycle Time | 120 | 150 | 150 | 200 | 200 | | ns |
| tAS | Address Setup Time | 0 | 0 | 0 | 0 | 0 | | ns |
| tAH | Address Hold Time | 60 | 60 | 60 | 60 | 60 | | ns |
| tDS | Data Setup Time | 50 | 50 | 50 | 50 | 50 | | ns |
| tDH | Data Hold Time | 10 | 10 | 10 | 10 | 10 | | ns |
| tOES | Output Enable Setup Time | 0 | 0 | 0 | 0 | 0 | | ns |
| tCES | $\overline{\text{CE}}$ Setup Time | 0 | 0 | 0 | 0 | 0 | | ns |
| tGHWL | Read Recover Time Before Write | 0 | 0 | 0 | 0 | 0 | | ns |
| tCS | CE Setup Time | 0 | 0 | 0 | 0 | 0 | | ns |
| tCH | $\overline{\text{CE}}$ Hold Time | 0 | 0 | 0 | 0 | 0 | | ns |
| tWP | $\overline{\text{Write}}$ Pulse Width | 60 | 60 | 60 | 60 | 60 | | ns |
| tWPH | Write Pulse Width High | 40 | 40 | 40 | 40 | 40 | | ns |
| tBALC | Byte Address Load Cycle | 0.2 | 30 | 0.2 | 30 | 0.2 | 30 | us |
| tBAL | Byte Address Load Time | 100 | 100 | 100 | 100 | 100 | | us |
| tSRA | Status Register Access Time | 120 | 150 | 150 | 200 | 200 | | ns |
| tCESR | $\overline{\text{CE}}$ Setup before S.R. Read | 100 | 100 | 100 | 100 | 100 | | ns |
| tPHWL | $\overline{\text{RP}}$ High Recovery to $\overline{\text{WE}}$ Going Low | 1 | 1 | 1 | 1 | 1 | | us |
| tVCS | VCC Setup Time | 2 | 2 | 2 | 2 | 2 | | us |

Figure 7. COMMAND WRITE TIMING WAVEFORMS



NOTE: $\overline{\text{BYTE}}$ pin is treated as Address pin. All timing specifications for $\overline{\text{BYTE}}$ pin are the same as those for address pin.

Figure 8. AUTOMATIC PAGE PROGRAM/WRITE PAGE BUFFER TIMING WAVEFORMS

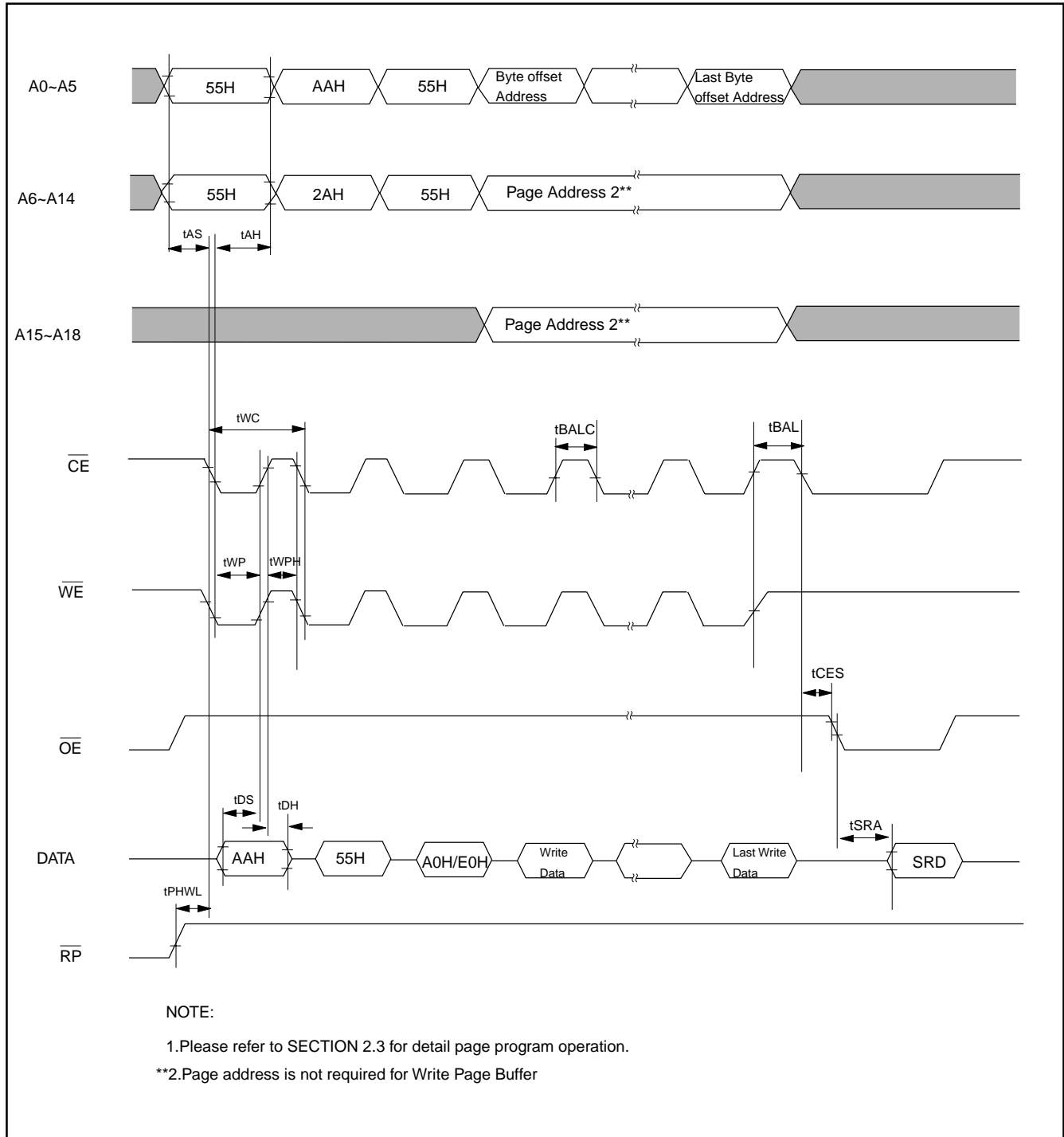
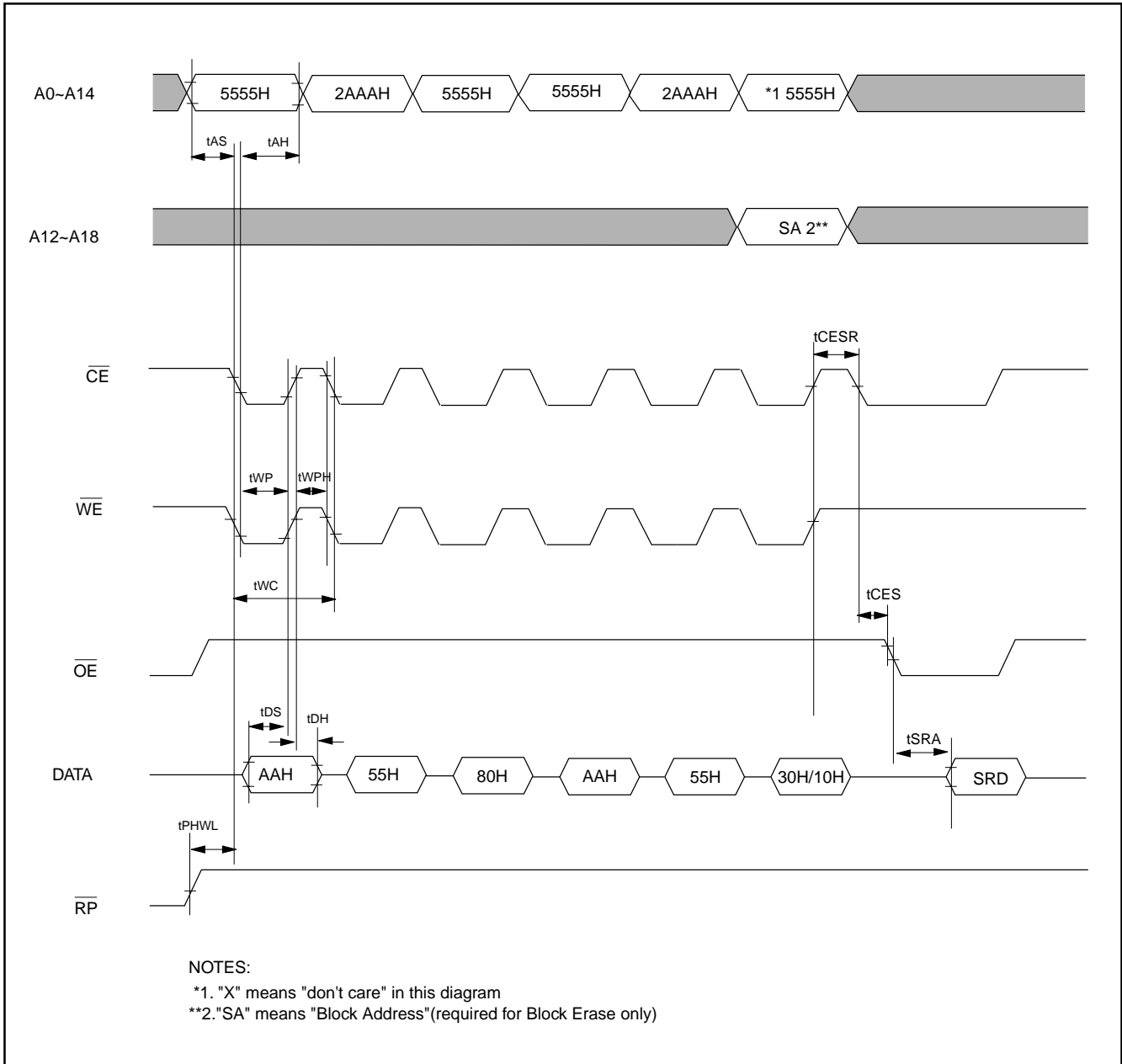


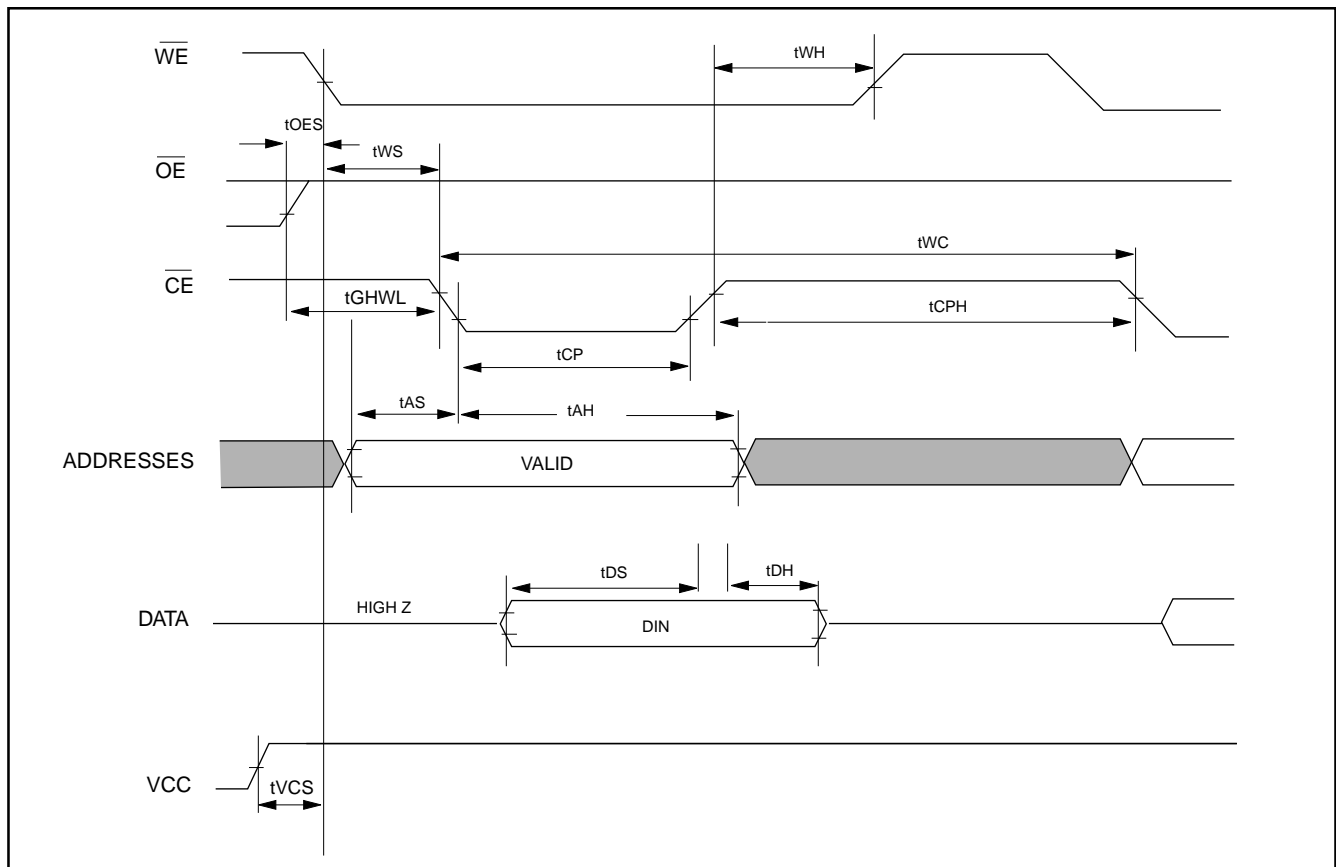
Figure 9. AUTOMATIC BLOCK/CHIP ERASE TIMING WAVEFORMS



5.4 AC CHARACTERISTICS --- WRITE/ERASE/PROGRAM OPERATIONS (Alternate \overline{CE} Controlled)

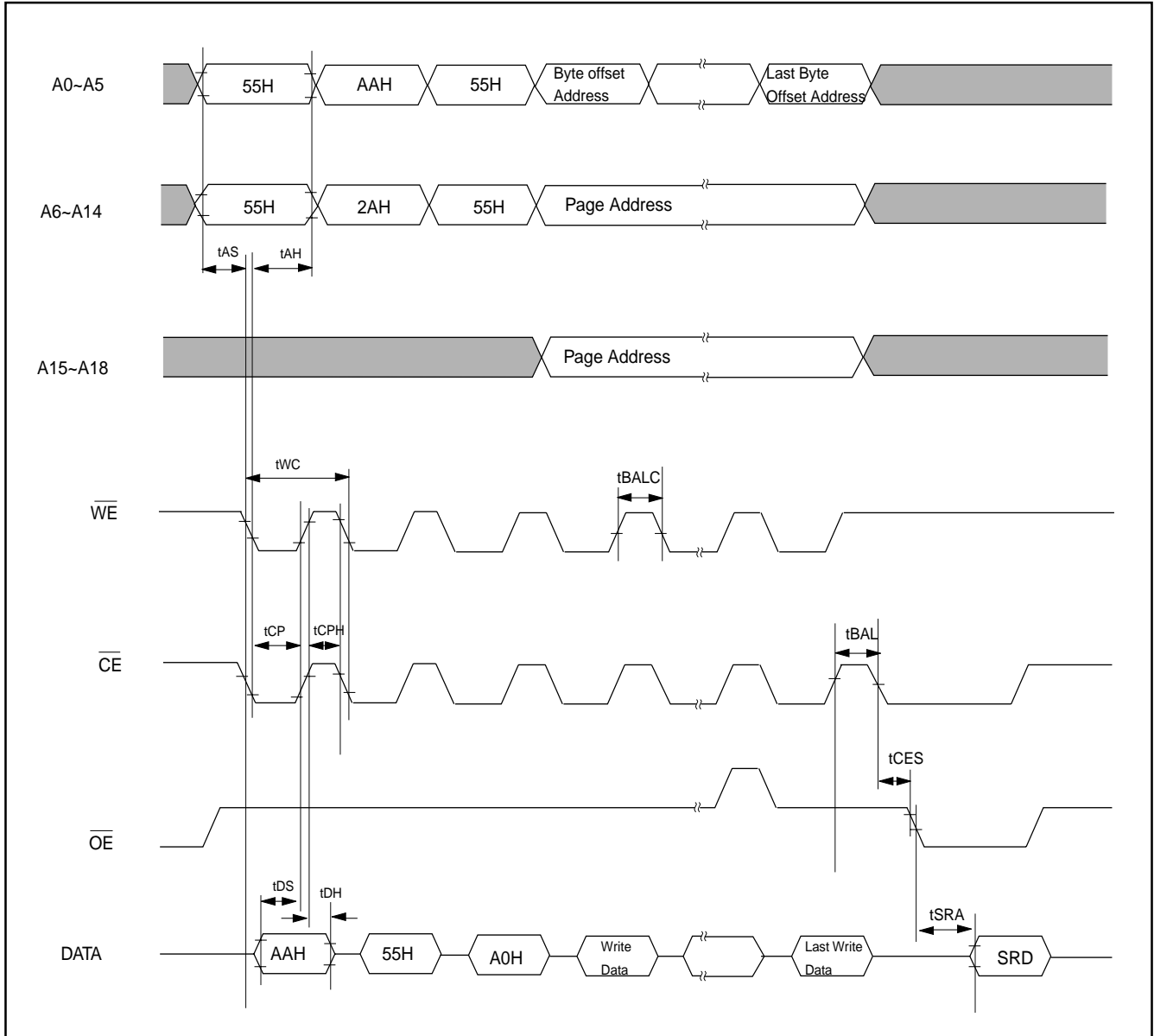
| SYMBOL | DESCRIPTIONS | 29L8100T/B-12 | | 29L8100T/B-15 | | 29L8100T/B-20 | | UNIT |
|--------|----------------------------------|---------------|------|---------------|------|---------------|------|------|
| | | MIN. | MAX. | MIN. | MAX. | MIN. | MAX. | |
| tWC | Write Cycle Time | 120 | | 150 | | 200 | | ns |
| tAS | Address Setup Time | 10 | | 10 | | 10 | | ns |
| tAH | Address Hold Time | 60 | | 60 | | 60 | | ns |
| tDS | Data Setup Time | 50 | | 50 | | 50 | | ns |
| tDH | Data Hold Time | 10 | | 10 | | 10 | | ns |
| tOES | Output Enable Setup Time | 0 | | 0 | | 0 | | ns |
| tCES | \overline{CE} Setup Time | 0 | | 0 | | 0 | | ns |
| tGHWL | Read Recover TimeBefore Write | 0 | | 0 | | 0 | | ns |
| tWS | \overline{WE} Setup Time | 0 | | 0 | | 0 | | ns |
| tWH | \overline{WE} Hold Time | 0 | | 0 | | 0 | | ns |
| tCP | \overline{CE} Pulse Width | 60 | | 60 | | 60 | | ns |
| tCPH | \overline{CE} Pulse Width High | 40 | | 40 | | 40 | | ns |
| tVCS | VCC Setup Time | 2 | | 2 | | 2 | | uA |

Figure 10. COMMAND WRITE TIMING WAVEFORMS(Alternate \overline{CE} Controlled)



NOTE: \overline{BYTE} pin is treated as Address pin. All timing specifications for \overline{BYTE} pin are the same as those for address pin.

Figure 11. AUTOMATIC PAGE PROGRAM TIMING WAVEFORM(Alternate \overline{CE} Controlled)





5.5 ERASE AND PROGRAMMING PERFORMANCE

| PARAMETER | LIMITS | | | UNITS |
|----------------------------|---------|------|------|--------|
| | MIN. | TYP. | MAX. | |
| Chip/Sector Erase Time | | 50 | | ms |
| Page Programming Time | | 5 | | ms |
| Chip Programming Time | | 40 | | sec |
| Byte Program Time(average) | | 40 | | us |
| Erase/Program Cycles | 100,000 | | | Cycles |

5.6 LATCHUP CHARACTERISTICS

| | MIN. | MAX. |
|---|--------|------------|
| Input Voltage with respect to GND on all pins except I/O pins | -1.0V | 13.5V |
| Input Voltage with respect to GND on all I/O pins | -1.0V | Vcc + 1.0V |
| Current | -100mA | +100mA |

Includes all pins except Vcc. Test conditions: Vcc = 3.0V, one pin at a time.

REVISION HISTORY

| Revision | Description | Page | Date |
|----------|--|------|-------------|
| 1.1 | Adding status register "SLK" column.(page 13) | | APR/14/1997 |
| 1.2 | Change Program/Erase cycle from 1,000 to 1,000/10,000. Page 10:Table 4 "Verify 16K-block protect" : A18~A2 X--->SA. | | AUG/22/1997 |
| 1.3 | Write-Erase cycles change from 1,000/10,000 to 100,000. | | OCT/29/1997 |
| 1.4 | Adding CSP Package | | JAN/12/1998 |
| 1.5 | Taa:150ns@2.7V -->Taa:120ns @2.7V | | MAY/27/1998 |
| 1.6 | Corrected Pin-assignment of the CSP. | | AUG/24/1998 |
| 1.7 | Add in new CSP with 0.8mm ball pitch. | | SEP/24/1998 |



MX29L8100T/B

MACRONIX INTERNATIONAL Co., LTD.

HEADQUARTERS:

TEL:+886-3-578-8888

FAX:+886-3-578-8887

EUROPE OFFICE:

TEL:+32-2-456-8020

FAX:+32-2-456-8021

JAPAN OFFICE:

TEL:+81-44-246-9100

FAX:+81-44-246-9105

SINGAPORE OFFICE:

TEL:+65-747-2309

FAX:+65-748-4090

TAIPEI OFFICE:

TEL:+886-3-509-3300

FAX:+886-3-509-2200

MACRONIX AMERICA, INC.

TEL:+1-408-453-8088

FAX:+1-408-453-8488

CHICAGO OFFICE:

TEL:+1-847-963-1900

FAX:+1-847-963-1909

[http : //www.macronix.com](http://www.macronix.com)