

## The RF Sub-Micron MOSFET Line

# RF Power Field Effect Transistors

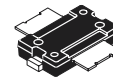
### N-Channel Enhancement-Mode Lateral MOSFETs

Designed for broadband commercial and industrial applications with frequencies up to 1.0 GHz. The high gain and broadband performance of these devices make them ideal for large-signal, common-source amplifier applications in 26 volt base station equipment.

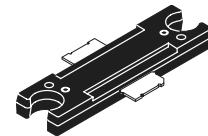
- Typical Performance at 945 MHz, 26 Volts
  - Output Power — 60 Watts PEP
  - Power Gain — 18.0 dB
  - Efficiency — 40% (Two Tones)
  - IMD — -31.5 dBc
- Integrated ESD Protection
- Capable of Handling 5:1 VSWR, @ 26 Vdc, 945 MHz, 60 Watts CW Output Power
- Excellent Thermal Stability
- Characterized with Series Equivalent Large-Signal Impedance Parameters
- TO-270 Dual Lead Available in Tape and Reel. R1 Suffix = 500 Units per 24 mm, 13 inch Reel.
- TO-272 Dual Lead Available in Tape and Reel. R1 Suffix = 500 Units per 44 mm, 13 inch Reel.

**MRF9060MR1**  
**MRF9060MBR1**

**945 MHz, 60 W, 26 V**  
**LATERAL N-CHANNEL**  
**BROADBAND**  
**RF POWER MOSFETs**



**CASE 1265-07, STYLE 1**  
**TO-270 DUAL LEAD**  
**PLASTIC**  
**MRF9060MR1**



**CASE 1337-01, STYLE 1**  
**TO-272 DUAL LEAD**  
**PLASTIC**  
**MRF9060MBR1**

#### MAXIMUM RATINGS

Rating	Symbol	Value	Unit
Drain-Source Voltage	$V_{DSS}$	65	Vdc
Gate-Source Voltage	$V_{GS}$	-0.5, +15	Vdc
Total Device Dissipation @ $T_C = 25^\circ\text{C}$ Derate above $25^\circ\text{C}$	$P_D$	223 1.79	Watts W/ $^\circ\text{C}$
Storage Temperature Range	$T_{stg}$	-65 to +150	$^\circ\text{C}$
Operating Junction Temperature	$T_J$	175	$^\circ\text{C}$

#### THERMAL CHARACTERISTICS

Characteristic	Symbol	Max	Unit
Thermal Resistance, Junction to Case	$R_{\theta JC}$	0.56	$^\circ\text{C}/\text{W}$

NOTE - **CAUTION** - MOS devices are susceptible to damage from electrostatic charge. Reasonable precautions in handling and packaging MOS devices should be observed.

## ESD PROTECTION CHARACTERISTICS

Test Conditions		Class
Human Body Model		1 (Minimum)
Machine Model		M2 (Minimum)
Charge Device Model	MRF9060MR1 MRF9060MBR1	C6 (Minimum) C5 (Minimum)

## MOISTURE SENSITIVITY LEVEL

Test Methodology		Rating
Per JESD 22-A113	MRF9060MR1 MRF9060MBR1	1 3

## ELECTRICAL CHARACTERISTICS (T<sub>C</sub> = 25°C unless otherwise noted)

Characteristic	Symbol	Min	Typ	Max	Unit
----------------	--------	-----	-----	-----	------

### OFF CHARACTERISTICS

Zero Gate Voltage Drain Leakage Current (V <sub>DS</sub> = 65 Vdc, V <sub>GS</sub> = 0 Vdc)	I <sub>DSS</sub>	—	—	10	μAdc
Zero Gate Voltage Drain Leakage Current (V <sub>DS</sub> = 26 Vdc, V <sub>GS</sub> = 0 Vdc)	I <sub>DSS</sub>	—	—	1	μAdc
Gate–Source Leakage Current (V <sub>GS</sub> = 5 Vdc, V <sub>DS</sub> = 0 Vdc)	I <sub>GSS</sub>	—	—	1	μAdc

### ON CHARACTERISTICS

Gate Threshold Voltage (V <sub>DS</sub> = 10 Vdc, I <sub>D</sub> = 200 μAdc)	V <sub>GS(th)</sub>	2	2.8	4	Vdc
Gate Quiescent Voltage (V <sub>DS</sub> = 26 Vdc, I <sub>D</sub> = 450 mAdc)	V <sub>GS(Q)</sub>	3	3.7	5	Vdc
Drain–Source On–Voltage (V <sub>GS</sub> = 10 Vdc, I <sub>D</sub> = 1.3 Adc)	V <sub>DS(on)</sub>	—	0.21	0.4	Vdc
Forward Transconductance (V <sub>DS</sub> = 10 Vdc, I <sub>D</sub> = 4 Adc)	g <sub>fs</sub>	—	5.3	—	S

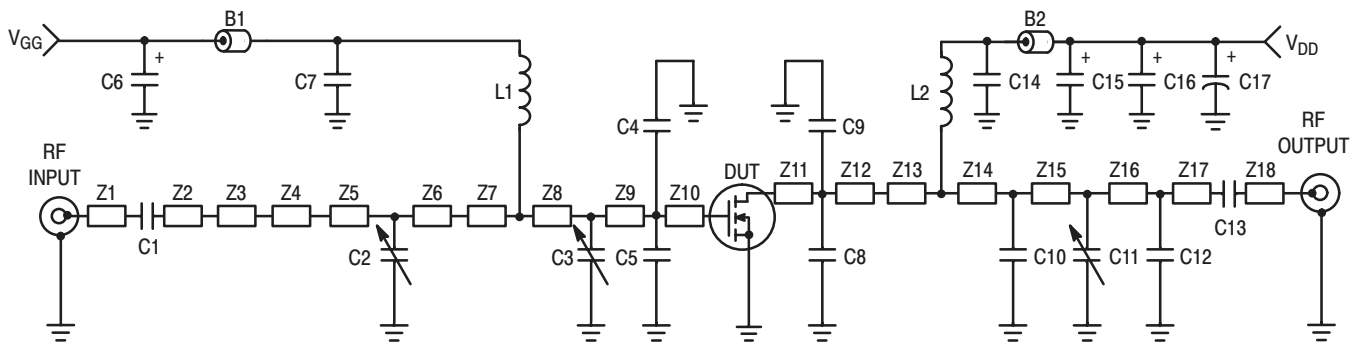
### DYNAMIC CHARACTERISTICS

Input Capacitance (V <sub>DS</sub> = 26 Vdc ± 30 mV(rms)ac @ 1 MHz, V <sub>GS</sub> = 0 Vdc)	C <sub>iss</sub>	—	101	—	pF
Output Capacitance (V <sub>DS</sub> = 26 Vdc ± 30 mV(rms)ac @ 1 MHz, V <sub>GS</sub> = 0 Vdc)	C <sub>oss</sub>	—	53	—	pF
Reverse Transfer Capacitance (V <sub>DS</sub> = 26 Vdc ± 30 mV(rms)ac @ 1 MHz, V <sub>GS</sub> = 0 Vdc)	C <sub>rss</sub>	—	2.5	—	pF

(continued)

**ELECTRICAL CHARACTERISTICS — continued** ( $T_C = 25^\circ\text{C}$  unless otherwise noted)

Characteristic	Symbol	Min	Typ	Max	Unit
<b>FUNCTIONAL TESTS</b> (In Motorola Test Fixture, 50 ohm system)					
Two-Tone Common-Source Amplifier Power Gain ( $V_{DD} = 26\text{ Vdc}$ , $P_{out} = 60\text{ W PEP}$ , $I_{DQ} = 450\text{ mA}$ , $f_1 = 945.0\text{ MHz}$ , $f_2 = 945.1\text{ MHz}$ )	$G_{ps}$	17	18	—	dB
Two-Tone Drain Efficiency ( $V_{DD} = 26\text{ Vdc}$ , $P_{out} = 60\text{ W PEP}$ , $I_{DQ} = 450\text{ mA}$ , $f_1 = 945.0\text{ MHz}$ , $f_2 = 945.1\text{ MHz}$ )	$\eta$	37	40	—	%
3rd Order Intermodulation Distortion ( $V_{DD} = 26\text{ Vdc}$ , $P_{out} = 60\text{ W PEP}$ , $I_{DQ} = 450\text{ mA}$ , $f_1 = 945.0\text{ MHz}$ , $f_2 = 945.1\text{ MHz}$ )	IMD	—	-31.5	-28	dBc
Input Return Loss ( $V_{DD} = 26\text{ Vdc}$ , $P_{out} = 60\text{ W PEP}$ , $I_{DQ} = 450\text{ mA}$ , $f_1 = 945.0\text{ MHz}$ , $f_2 = 945.1\text{ MHz}$ )	IRL	—	-14.5	-9	dB
Two-Tone Common-Source Amplifier Power Gain ( $V_{DD} = 26\text{ Vdc}$ , $P_{out} = 60\text{ W PEP}$ , $I_{DQ} = 450\text{ mA}$ , $f_1 = 930.0\text{ MHz}$ , $f_2 = 930.1\text{ MHz}$ and $f_1 = 960.0\text{ MHz}$ , $f_2 = 960.1\text{ MHz}$ )	$G_{ps}$	—	18	—	dB
Two-Tone Drain Efficiency ( $V_{DD} = 26\text{ Vdc}$ , $P_{out} = 60\text{ W PEP}$ , $I_{DQ} = 450\text{ mA}$ , $f_1 = 930.0\text{ MHz}$ , $f_2 = 930.1\text{ MHz}$ and $f_1 = 960.0\text{ MHz}$ , $f_2 = 960.1\text{ MHz}$ )	$\eta$	—	40	—	%
3rd Order Intermodulation Distortion ( $V_{DD} = 26\text{ Vdc}$ , $P_{out} = 60\text{ W PEP}$ , $I_{DQ} = 450\text{ mA}$ , $f_1 = 930.0\text{ MHz}$ , $f_2 = 930.1\text{ MHz}$ and $f_1 = 960.0\text{ MHz}$ , $f_2 = 960.1\text{ MHz}$ )	IMD	—	-31	—	dBc
Input Return Loss ( $V_{DD} = 26\text{ Vdc}$ , $P_{out} = 60\text{ W PEP}$ , $I_{DQ} = 450\text{ mA}$ , $f_1 = 930.0\text{ MHz}$ , $f_2 = 930.1\text{ MHz}$ and $f_1 = 960.0\text{ MHz}$ , $f_2 = 960.1\text{ MHz}$ )	IRL	—	-12.5	—	dB



Z1	0.240" x 0.060" Microstrip	Z10	0.060" x 0.520" Microstrip
Z2	0.240" x 0.060" Microstrip	Z11	0.360" x 0.270" Microstrip
Z3	0.500" x 0.100" Microstrip	Z12	0.060" x 0.270" Microstrip
Z4	0.100" x 0.270" x 0.080", Taper	Z13	0.130" x 0.060" Microstrip
Z5	0.330" x 0.270" Microstrip	Z14	0.300" x 0.060" Microstrip
Z6	0.120" x 0.270" Microstrip	Z15	0.210" x 0.060" Microstrip
Z7	0.270" x 0.520" x 0.140", Taper	Z16	0.600" x 0.060" Microstrip
Z8	0.240" x 0.520" Microstrip	Z17	0.290" x 0.060" Microstrip
Z9	0.340" x 0.520" Microstrip	Z18	0.340" x 0.060" Microstrip

**Figure 1. 930–960 MHz Broadband Test Circuit Schematic**

**Table 1. 930–960 MHz Broadband Test Circuit Component Designations and Values**

Part	Description	Value, P/N or DWG	Manufacturer
B1	Short Ferrite Bead	95F786	Newark
B2	Long Ferrite Bead	95F787	Newark
C1, C7, C13, C14	47 pF Chip Capacitors, B Case	100B470JP 500X	ATC
C2, C3, C11	0.8–8.0 Gigatrim Variable Capacitors	44F3360	Newark
C4, C5	11 pF Chip Capacitors, B Case (MRF9060MR1) 10 pF Chip Capacitors, B Case (MRF9060MBR1)	100B110JP 500X 100B100JP 500X	ATC
C6, C15, C16	10 $\mu$ F, 35 V Tantalum Chip Capacitors	93F2975	Newark
C8, C9	10 pF Chip Capacitors, B Case	100B100JP 500X	Newark
C10	3.9 pF Chip Capacitor, B Case	100B3R9CP 500X	ATC
C12	1.7 pF Chip Capacitor, B Case	100B1R7BP 500X	ATC
C17	220 $\mu$ F Electrolytic Chip Capacitor	14F185	Newark
L1, L2	12.5 nH Inductors	A04T–5	Coilcraft
N1, N2	N–Type Panel Mount, Stripline	3052–1648–10	Avnet
WB1, WB2	15 mil Brass Wear Blocks		
Board Material	30 mil Glass Teflon <sup>®</sup> , $\epsilon_r = 2.55$ Copper Clad, 2 oz Cu	RF–35–0300	Taconic
PCB	Etched Circuit Board	TO–270/TO–272 Surface/Bolt	DSelectronics

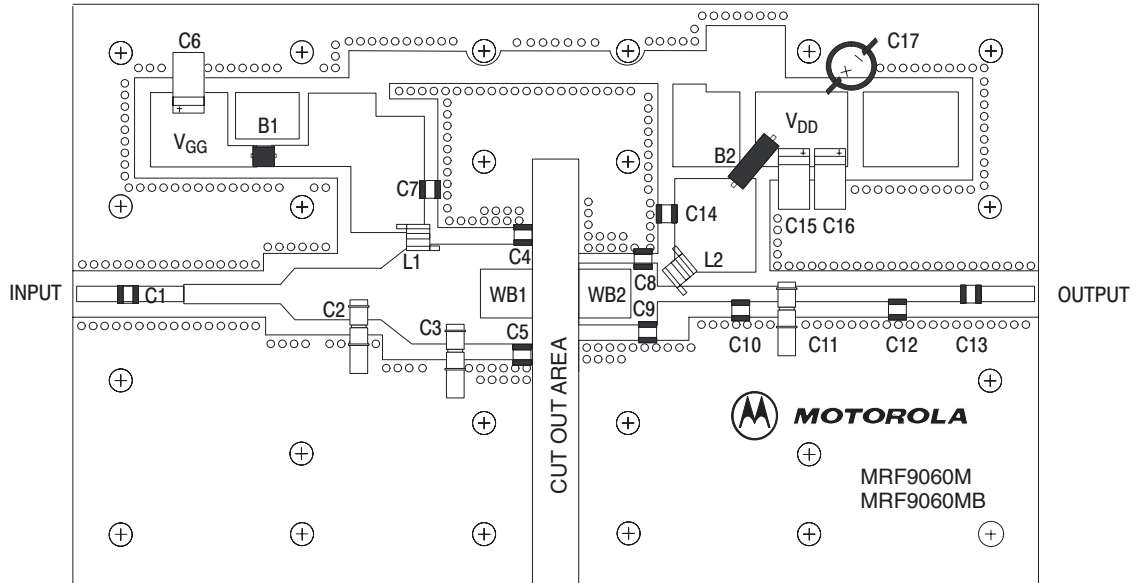


Figure 2. 930–960 MHz Broadband Test Circuit Component Layout

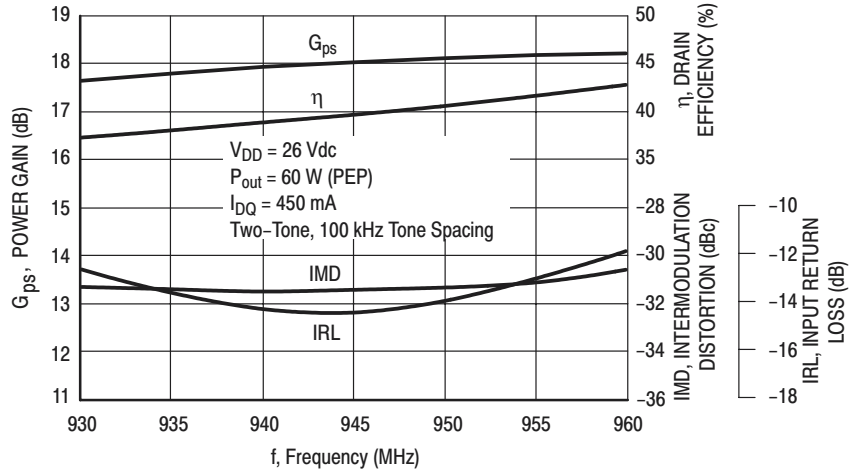


Figure 3. Class AB Broadband Circuit Performance

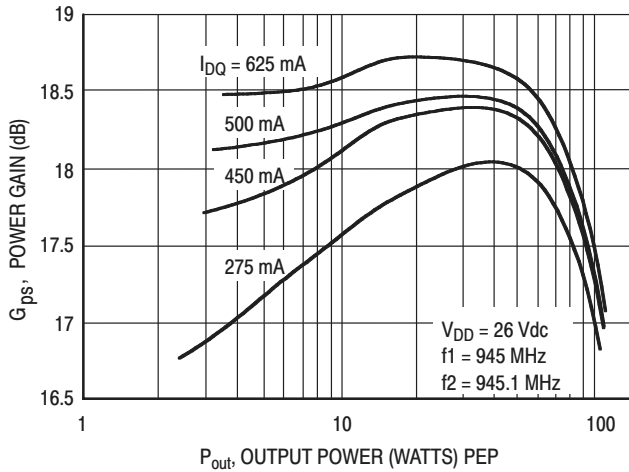


Figure 4. Power Gain versus Output Power

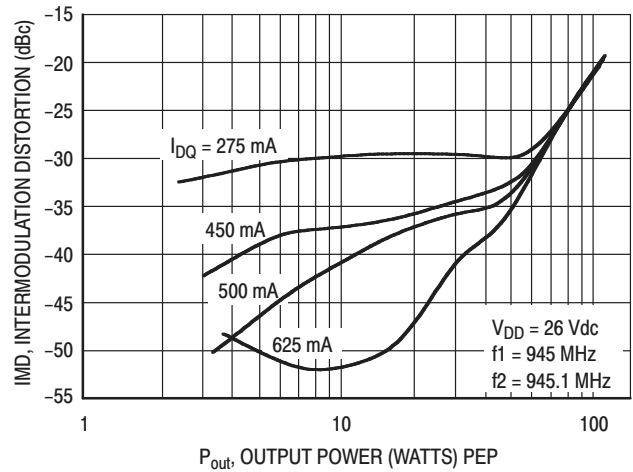


Figure 5. Intermodulation Distortion versus Output Power

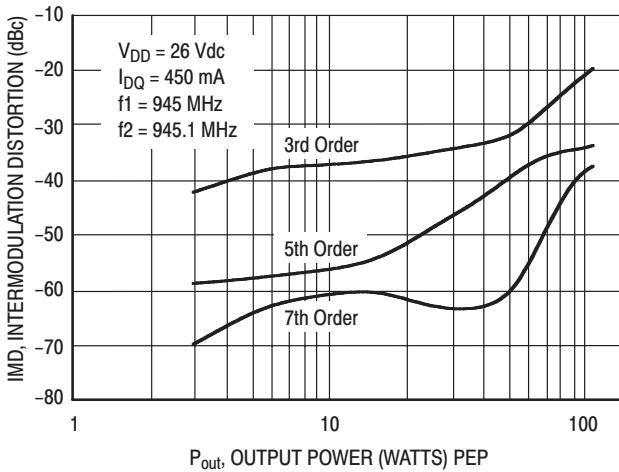


Figure 6. Intermodulation Distortion Products versus Output Power

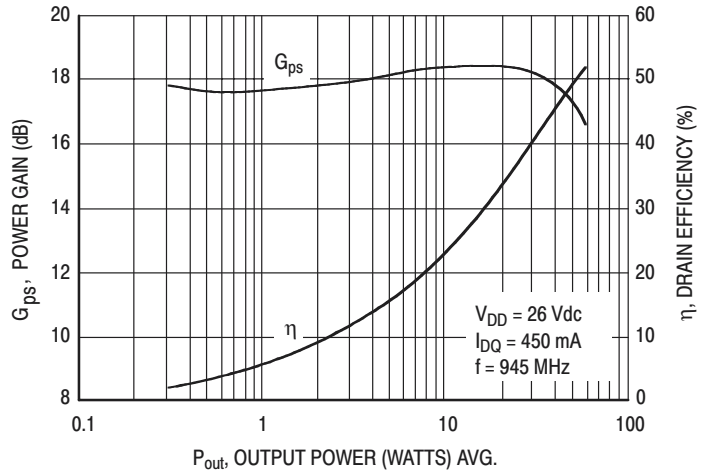


Figure 7. Power Gain and Efficiency versus Output Power

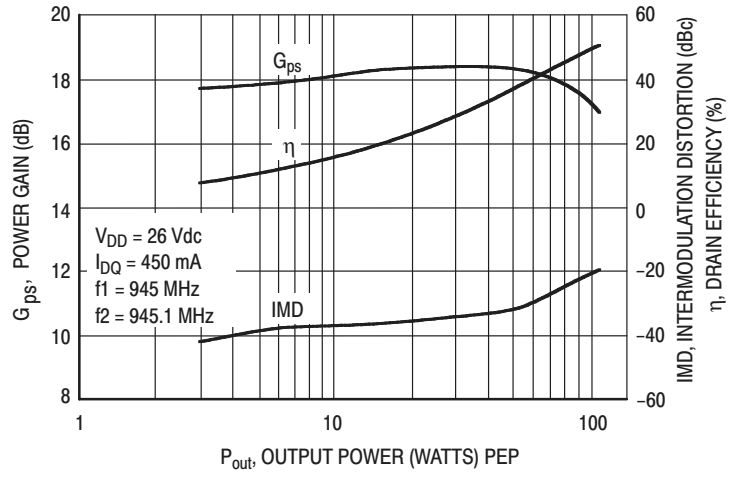
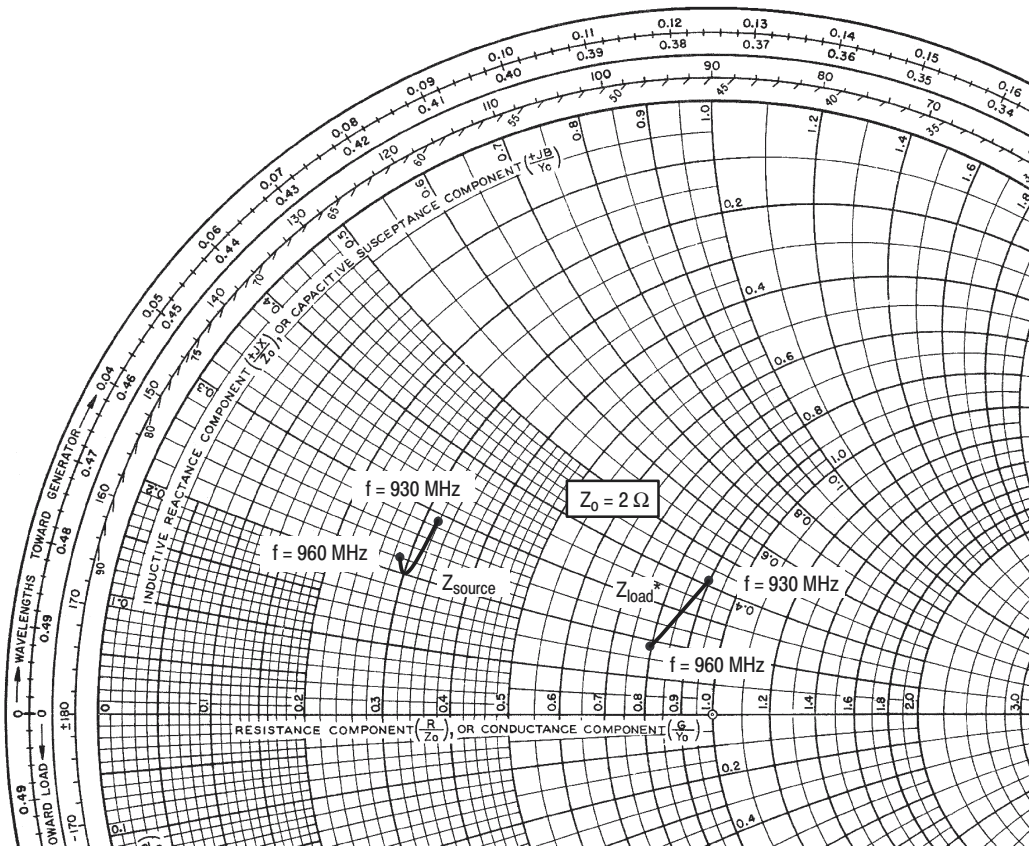


Figure 8. Power Gain, Efficiency, and IMD versus Output Power



$V_{DD} = 26\text{ V}$ ,  $I_{DQ} = 450\text{ mA}$ ,  $P_{out} = 60\text{ W PEP}$

f MHz	$Z_{source}$ $\Omega$	$Z_{load}$ $\Omega$
930	$0.63 + j0.57$	$1.8 + j0.84$
945	$0.60 + j0.41$	$1.7 + j0.55$
960	$0.57 + j0.45$	$1.6 + j0.36$

$Z_{source}$  = Test circuit impedance as measured from gate to ground.

$Z_{load}$  = Test circuit impedance as measured from drain to ground.

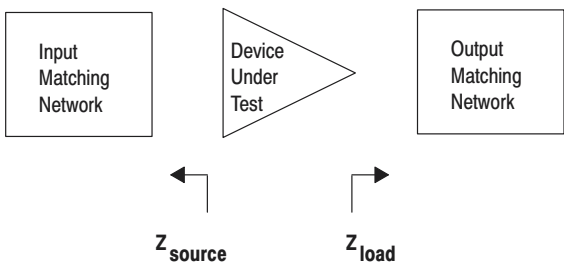
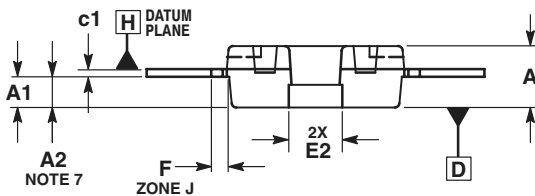
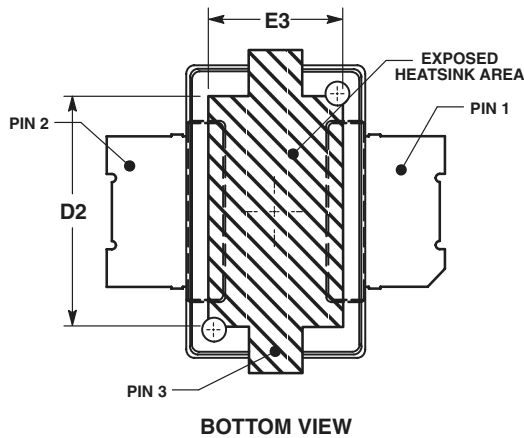
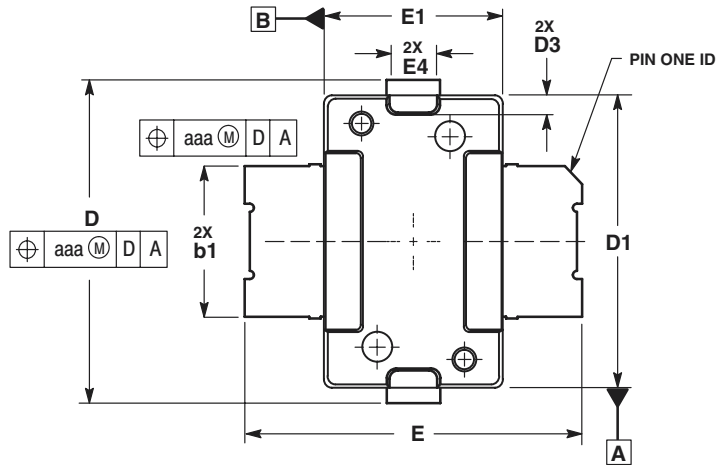


Figure 9. Series Equivalent Input and Output Impedance



# NOTES

# PACKAGE DIMENSIONS



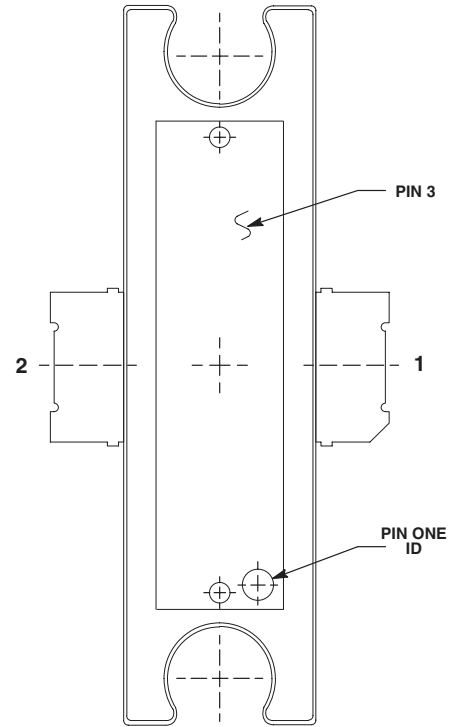
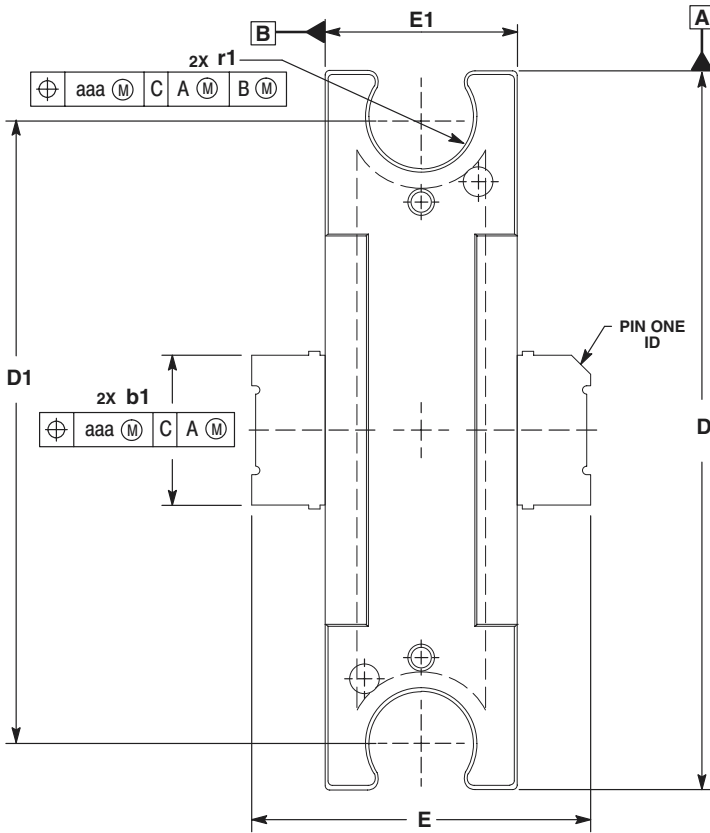
- NOTES:
1. CONTROLLING DIMENSION: INCH.
  2. INTERPRET DIMENSIONS AND TOLERANCES PER ASME Y14.5M-1994.
  3. DATUM PLANE -H- IS LOCATED AT TOP OF LEAD AND IS COINCIDENT WITH THE LEAD WHERE THE LEAD EXITS THE PLASTIC BODY AT THE TOP OF THE PARTING LINE.
  4. DIMENSIONS "D1" AND "E1" DO NOT INCLUDE MOLD PROTRUSION. ALLOWABLE PROTRUSION IS .006 PER SIDE. DIMENSIONS "D1" AND "E1" DO INCLUDE MOLD MISMATCH AND ARE DETERMINED AT DATUM PLANE -H-.
  5. DIMENSION b1 DOES NOT INCLUDE DAMBAR PROTRUSION. ALLOWABLE DAMBAR PROTRUSION SHALL BE .005 TOTAL IN EXCESS OF THE b1 DIMENSION AT MAXIMUM MATERIAL CONDITION.
  6. DATUMS -A- AND -B- TO BE DETERMINED AT DATUM PLANE -H-.
  7. DIMENSION A2 APPLIES WITHIN ZONE "J" ONLY.
  8. DIMENSIONS "D" AND "E2" DO NOT INCLUDE MOLD PROTRUSION. ALLOWABLE PROTRUSION IS .003 PER SIDE. DIMENSIONS "D" AND "E2" DO INCLUDE MOLD MISMATCH AND ARE DETERMINED AT DATUM PLANE -D-.

DIM	INCHES		MILLIMETERS	
	MIN	MAX	MIN	MAX
A	.076	.084	1.93	2.13
A1	.038	.044	0.96	1.12
A2	.040	.042	1.02	1.07
D	.416	.424	10.57	10.77
D1	.376	.384	9.55	9.75
D2	.290	.320	7.37	8.13
D3	.016	.024	0.41	0.61
E	.436	.444	11.07	11.28
E1	.236	.244	5.99	6.20
E2	.066	.074	1.68	1.88
E3	.150	.180	3.81	4.57
E4	.058	.066	1.47	1.68
F	.025 BSC		0.64 BSC	
b1	.193	.199	4.90	5.06
c1	.007	.011	0.18	0.28
aaa	.004		0.10	

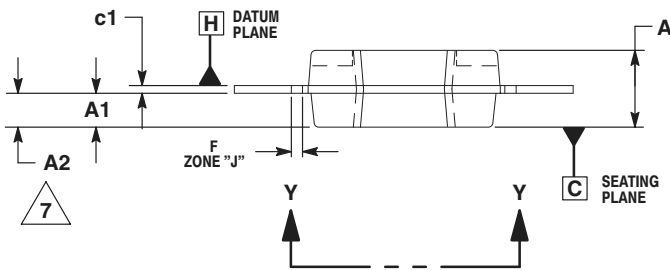
- STYLE 1:  
 PIN 1. DRAIN  
 2. GATE  
 3. SOURCE

CASE 1265-07  
 ISSUE F  
 TO-270 DUAL LEAD  
 PLASTIC  
 MRF9060MR1

# PACKAGE DIMENSIONS



VIEW Y-Y



NOTES:

1. CONTROLLING DIMENSION: INCH.
2. INTERPRET DIMENSIONS AND TOLERANCES PER ASME Y14.5M, 1994.
3. DATUM PLANE -H- IS LOCATED AT THE TOP OF LEAD AND IS COINCIDENT WITH THE LEAD WHERE THE LEAD EXITS THE PLASTIC BODY AT THE TOP OF THE PARTING LINE.
4. DIMENSIONS "D" AND "E1" DO NOT INCLUDE MOLD PROTRUSION. ALLOWABLE PROTRUSION IS .006 PER SIDE. DIMENSIONS "D" AND "E1" DO INCLUDE MOLD MISMATCH AND ARE DETERMINED AT DATUM PLANE -H-.
5. DIMENSION "b1" DOES NOT INCLUDE DAMBAR PROTRUSION. ALLOWABLE DAMBAR PROTRUSION SHALL BE .005 TOTAL IN EXCESS OF THE "b1" DIMENSION AT MAXIMUM MATERIAL CONDITION.
6. DATUMS -A- AND -B- TO BE DETERMINED AT DATUM PLANE -H-.
7. DIMENSION A2 APPLIES WITHIN ZONE "J" ONLY.

STYLE 1:  
PIN 1. DRAIN  
2. GATE  
3. SOURCE

**CASE 1337-01  
ISSUE O  
TO-272 DUAL LEAD  
PLASTIC  
MRF9060MBR1**

DIM	INCHES		MILLIMETERS	
	MIN	MAX	MIN	MAX
A	.098	.110	2.49	2.79
A1	.038	.044	0.96	1.12
A2	.040	.042	1.02	1.07
D	.926	.934	23.52	23.72
D1	.810 BSC		20.57 BSC	
E	.438	.442	11.12	11.23
E1	.246	.254	6.25	6.45
F	.025 BSC		0.64 BSC	
b1	.193	.199	4.90	5.05
c1	.007	.011	.18	.28
r1	.063	.068	1.60	1.73
aaa	.004		.10	

Motorola reserves the right to make changes without further notice to any products herein. Motorola makes no warranty, representation, or guarantee regarding the suitability of its products for any particular purpose, nor does Motorola assume any liability arising out of the application or use of any product or circuit, and specifically disclaims any and all liability, including without limitation consequential or incidental damages. "Typical" parameters can and do vary in different applications and actual performance may vary over time. All operating parameters, including "Typicals", must be validated for each customer application by customer's technical experts. Motorola does not convey any license under its patent rights nor the rights of others. Motorola products are not designed, intended, or authorized for use as components in systems intended for surgical implant into the body, or other applications intended to support or sustain life, or for any other application in which the failure of the Motorola product could create a situation where personal injury or death may occur. Should Buyer purchase or use Motorola products for any such unintended or unauthorized application, Buyer shall indemnify and hold Motorola and its officers, employees, subsidiaries, affiliates, and distributors harmless against all claims, costs, damages, and expenses, and reasonable attorney fees arising out of, directly or indirectly, any claim of personal injury or death associated with such unintended or unauthorized use, even if such claim alleges that Motorola was negligent regarding the design or manufacture of the part. Motorola and the Stylized M Logo are registered in the US Patent & Trademark Office. All other product or service names are the property of their respective owners. Motorola, Inc. is an Equal Opportunity/Affirmative Action Employer.

© Motorola, Inc. 2002.

**How to reach us:**

**USA/EUROPE/Locations Not Listed:** Motorola Literature Distribution; P.O. Box 5405, Denver, Colorado 80217. 1-303-675-2140 or 1-800-441-2447

**JAPAN:** Motorola Japan Ltd.; SPS, Technical Information Center, 3-20-1, Minami-Azabu. Minato-ku, Tokyo 106-8573 Japan. 81-3-3440-3569

**ASIA/PACIFIC:** Motorola Semiconductors H.K. Ltd.; Silicon Harbour Centre, 2 Dai King Street, Tai Po Industrial Estate, Tai Po, N.T. Hong Kong. 852-26668334

**Technical Information Center: 1-800-521-6274**

**HOME PAGE:** <http://www.motorola.com/semiconductors/>



**MOTOROLA**



**MRF9060M/D**