

KH231

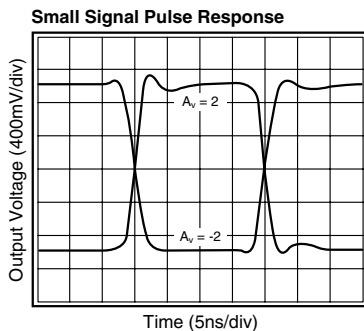
Fast Settling, Wideband Buffer/Amplifier ($A_V = \pm 1$ to ± 5)

Features

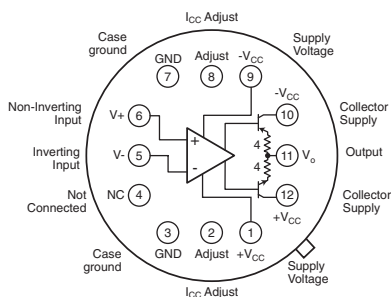
- 165MHz closed-loop – -3dB bandwidth
- 15ns settling to 0.05%
- 1mV input offset voltage, 10 μ V/°C drift
- 100mA output current
- Excellent AC and DC linearity
- Direct replacement for CLC231

Applications

- Driving flash A/D converters
- Precision line driving
(a gain of 2 cancels matched-line losses)
- DAC current-to-voltage conversion
- Low-power, high-speed applications (50mW @ $\pm 5V$)



Bottom View



Pins 2 and 8 are used to adjust the supply current or to adjust the offset voltage (see text). These pins are normally left unconnected.

Typical Performance

Parameter	Gain Setting						Units
	1	2	5	-1	-2	-5	
-3dB bandwidth	180	165	130	165	150	115	MHz
rise time (2V)	1.8	2.0	2.5	2.0	2.2	2.9	ns
slew rate	2.5	3.0	3.0	3.0	3.0	3.0	V/ns
settling time (to 0.1%)	12	12	12	12	12	15	ns

General Description

The KH231 Buffer/Amplifier is a wideband operational amplifier designed specifically for high-speed, low-gain applications. The KH231 is based on a current feedback op amp topology—a unique design that both eliminates the gain-bandwidth tradeoff and permits unprecedented high-speed performance. (See table below.)

The KH231 Buffer/Amplifier is the ideal design alternative to low precision open-loop buffers and oscillation-prone conventional op amps. The KH231 offers precise gains from ± 1.000 to ± 5.000 and linearity that is a true 0.1%-even for demanding 50 Ω loads. Open-loop buffers, on the other hand, offer a nominal gain of 0.95 \pm 0.03 and a linearity of only 3% for typical loads. A buffer's settling time may look impressive but it is usually specified at unrealistically large load resistances or when the effects of thermal tail are not included; the KH231 Buffer/Amplifier settles to 0.05% in 15ns-while driving a 100 Ω load.

Offsets and drifts, usually a low priority in conventional high-speed op amp designs, were not ignored in the KH231; the input offset voltage is typically 1mV and input offset voltage drift is only 10 μ V/°C. The KH231 is stable and oscillation-free across the entire gain range and since it's internally compensated, the user is saved the trouble of designing external compensation networks and having to "tweak" them in production. The absence of a gain-bandwidth tradeoff in the KH231 allows performance to be predicted easily; the table below shows how the bandwidth is affected very little by changing the gain setting.

The KH231 is constructed using thin film resistor/bipolar transistor technology, and is available in the following versions:

The KH231 is constructed using thin film resistor/bipolar transistor technology, and is available in these versions:

KH231AI	-25°C to +85°C	12-pin TO-8 can
KH231AK	-55°C to +125°C	12-pin TO-8 can, features burn-in & hermetic testing
KH231AM	-55°C to +125°C	12-pin TO-8 can, environmentally screened and electrically tested to MIL-STD-883
KH231HXC	-55°C to +125°C	SMD#: 5962-8959401HXC
KH231HXA	-55°C to +125°C	SMD#: 5962-8959401HXA

KH231 Electrical Characteristics ($T_A = +25^\circ\text{C}$, $A_v = +2\text{V}$, $V_{CC} = \pm 15\text{V}$, $R_L = 100\Omega$, $R_f = 250\Omega$; unless specified)

PARAMETERS	CONDITIONS	TYP	MIN & MAX RATINGS			UNITS	SYM
Ambient Temperature	KH231AI	+25°C	-25°C	+25°C	+85°C		
Ambient Temperature	KH231AK/AM/HXC/HXA	+25°C	-55°C	+25°C	+125°C		
FREQUENCY DOMAIN RESPONSE							
+ -3dB bandwidth (note 2)	$V_o \leq 2V_{pp}$	165	>145	>145	>120	MHz	SSBW
large-signal bandwidth	$V_o \leq 10V_{pp}$	95	>80	>80	>60	MHz	FPBW
gain flatness (note 2)	$V_o \leq 2V_{pp}$						
+ peaking	0.1 to 50MHz	0.1	<0.6	<0.3	<0.6	dB	GFPL
+ peaking	>50MHz	0.1	<1.5	<0.3	<0.8	dB	GFPH
+ rolloff	at 100MHz	0.4	<0.6	<0.6	<1.0	dB	GFR
group delay	to 100MHz	3.5 ± 0.5	—	—	—	ns	GD
linear phase deviation	to 100MHz	0.5	<2.0	<2.0	<2.0	°	LPD
reverse isolation							
non-inverting		53	>43	>43	>43	dB	RINI
inverting		36	>26	>26	>26	dB	RIIN
TIME DOMAIN RESPONSE							
rise and fall time	2V step	2.0	<2.4	<2.3	<2.7	ns	TRS
	10V step	5.0	<7.0	<6.5	<6.5	ns	TRL
settling time to 0.05%	5V step	15	—	—	—	ns	TS
to 0.1%	2.5V step	12	<22	<17	<22	ns	TSP
overshoot	5V step	5	<15	<10	<15	%	OS
slew rate (overdriven input)		3.0	>2.5	>2.5	>1.8	V/ns	SR
overload recovery	<1% error						
<50ns pulse, 200% overdrive		120	—	—	—	ns	OR
NOISE AND DISTORTION RESPONSE							
+ 2nd harmonic distortion	0dBm, 20MHz	-55	<-47	<-47	<-47	dBc	HD2
+ 3rd harmonic distortion	0dBm, 20MHz	-59	<-47	<-47	<-47	dBc	HD3
equivalent input noise							
noise floor	>5MHz	-153	<-150	<-150	<-150	dBm(1Hz)	SNF
integrated noise	5MHz to 200MHz	70	<100	<100	<100	μV_{rms}	INV
STATIC, DC PERFORMANCE							
* input offset voltage		1	<4.0	<2.0	<4.5	mV	VIO
average temperature coefficient		10	<25	<25	<25	$\mu\text{V}/^\circ\text{C}$	DVIO
* input bias current	non-inverting	5.0	<29	<21	<31	μA	IBN
average temperature coefficient		50	<125	<125	<125	$\text{nA}/^\circ\text{C}$	DIBN
* input bias current	inverting	10	<31	<15	<35	μA	IBI
average temperature coefficient		125	<200	<200	<200	$\text{nA}/^\circ\text{C}$	DIBI
* power supply rejection ratio		50	>45	>45	>45	dB	PSRR
common mode rejection ratio		46	>40	>40	>40	dB	CMRR
* supply current	no load	18	<22	<22	<22	mA	ICC
MISCELLANEOUS PERFORMANCE							
non-inverting input resistance	DC	400	>100	>200	>400	k Ω	RIN
non-inverting input capacitance		1.3	<2.5	<2.5	<2.5	pF	CIN
output impedance	@ 100MHz	5, 37	—	—	—	Ω , nH	RO
output voltage range	no load	±12	>±11	>±11	>±11	V	VO

Min/max ratings are based on product characterization and simulation. Individual parameters are tested as noted. Outgoing quality levels are determined from tested parameters.

Absolute Maximum Ratings

V_{CC}	±20V
I_o	±100mA
common mode input voltage, V_o	(see V_{cm} and V_o limits plot on page 3)
differential input voltage	±3V
thermal resistance	(see thermal model)
junction temperature	+175°C
operating temperature	AI: -25°C to +85°C AK/AM: -55°C to +125°C
storage temperature	-65°C to +150°C
lead temperature (soldering 10s)	+300°C

- note 1:**
- * AI/AK/AM/HXC/HXA 100% tested at +25°C
 - † AK/AM/HXC/HXA 100% tested at +25°C and sample tested at -55°C and +125°C
 - † AI sample tested at +25°C
- note 2:** The output amplitude used in testing is $0.63V_{pp}$. Performance is guaranteed for conditions listed.

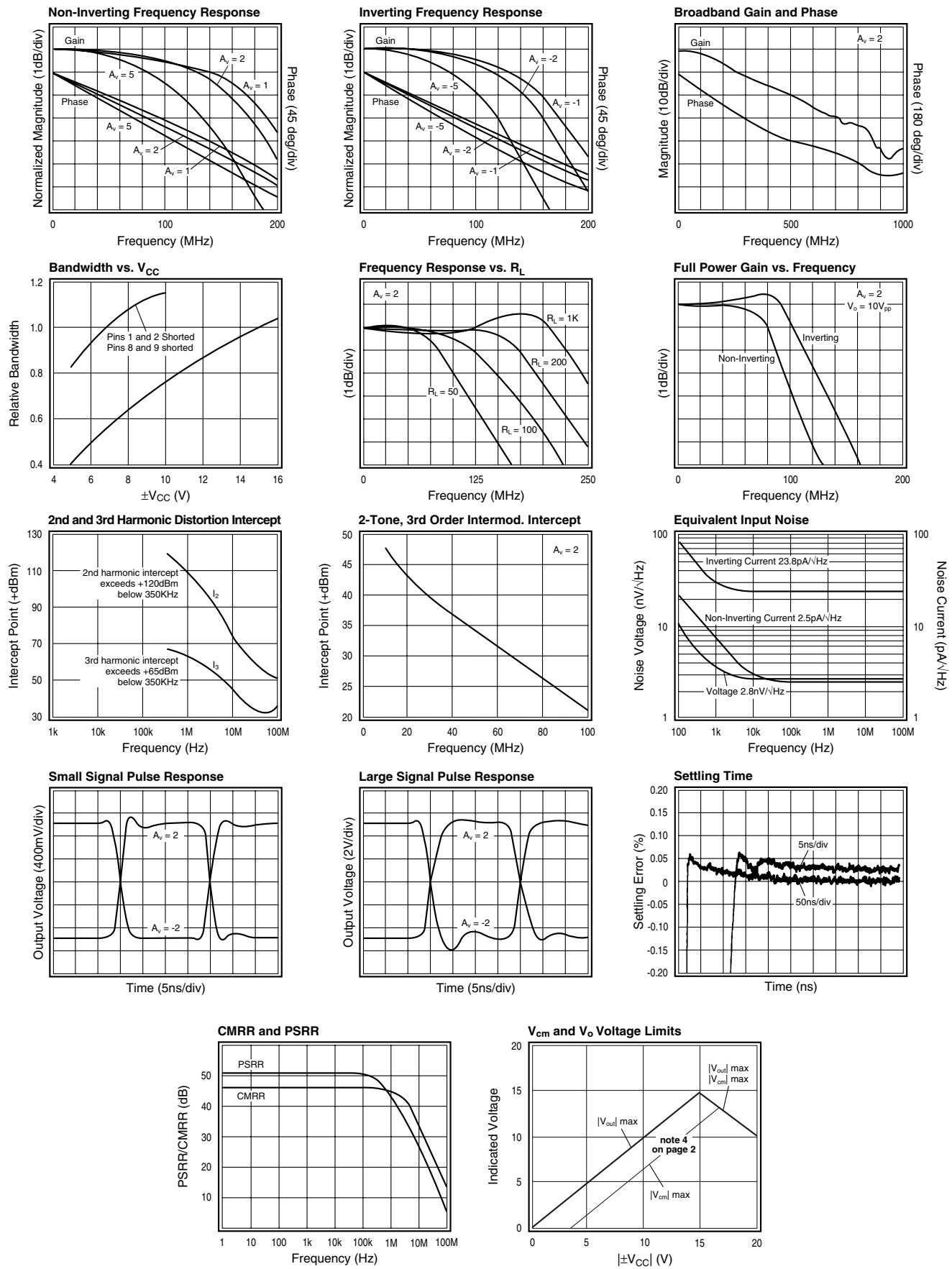
Recommended Operating Conditions

V_{CC}	±5V to ±15V
I_o	±75mA
common mode input voltage	±($ V_{CC} - 5$)V
gain range	±1 to ±5

note 3: In the noninverting configuration, care should be taken when choosing R_i , the input impedance setting resistor; bias currents of typically $5\mu\text{A}$ but as high as $24\mu\text{A}$ can create an input signal large enough to cause overload. It is therefore recommended that $R_i < (V_{CC}/A_v)/24\mu\text{A}$.

note 4: These ratings protect against damage to the input stage caused by saturation of either the input or output stages at lower supply voltages, and against exceeding transistor collector-emitter breakdown ratings at high supply voltages. $V_{out(max)}$ is calculated by assuming no output saturation. Saturation is allowed to occur up to this calculated level of V_{out} . V_{cm} is defined as the voltage at the non-inverting input, pin 6.

KH231 Typical Performance Characteristics ($T_A = +25^\circ\text{C}$, $A_v = +2$, $V_{CC} = \pm 15\text{V}$, $R_L = 100\Omega$, $R_f = 250\Omega$; unless specified)



Operation

The KH231 Buffer/Amplifier is based on the current feed-back op amp topology, a design that uses current feed-back instead of the usual voltage feedback.

The use of the KH231 is basically the same as that of the conventional op amp (see Figures 1 and 2). Since the device is designed specifically for low gain applications, the best performance is obtained when the circuit is used at gains between ±1 and ±5. Additionally, performance is optimum when a 250Ω feedback resistor is used.

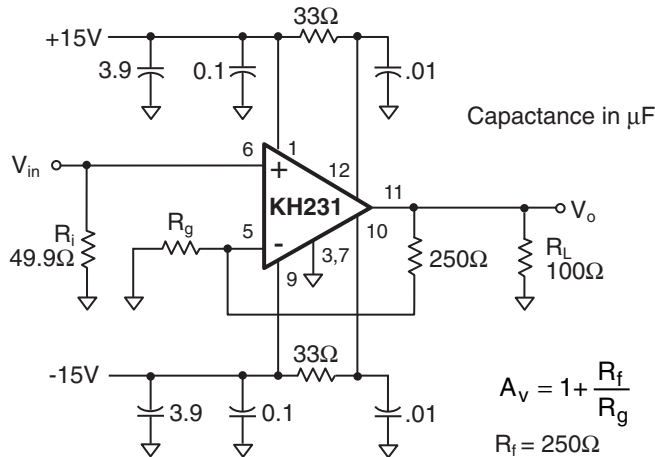


Figure 1: Recommended non-inverting gain circuit

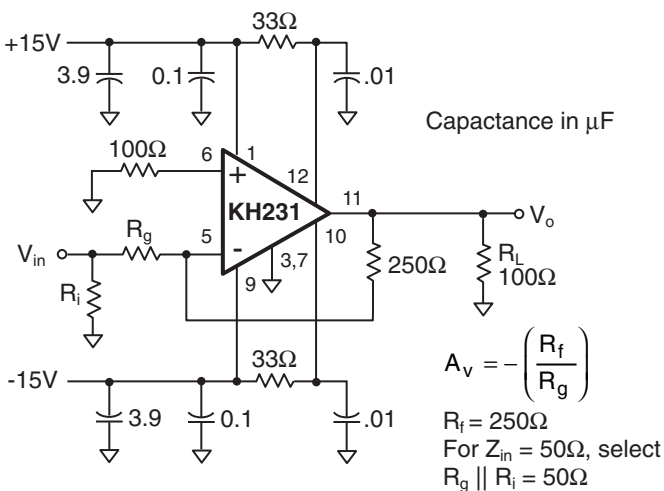


Figure 2: Recommended inverting gain circuit

Layout Considerations

To assure optimum performance the user should follow good layout practices which minimize the unwanted coupling of signals between nodes. During initial bread-boarding of the circuit use direct point to point wiring, keeping the lead lengths to less than 0.25". The use of solid, unbroken ground plane is helpful. Avoid wire-wrap

type pc boards and methods. Sockets with small, short pin receptacles may be used with minimal performance degradation although their use is not recommended.

During pc board layout keep all traces short and direct. The resistive body of Rg should be as close as possible to pin 5 to minimize capacitance at that point. For the same reason, remove ground plane from the vicinity of pins 5 and 6. In other areas, use as much ground plane as possible on one side of the board. It is especially important to provide a ground return path for current from the load resistor to the power supply bypass capacitors. Ceramic capacitors of 0.01 to 0.1μf (with short leads) should be less than 0.15 inches from pins 1 and 9. Larger tantalum capacitors should be placed within one inch of these pins. VCC connections to pins 10 and 12 can be made directly from pins 9 and 1, but better supply rejection and settling time are obtained if they are separately bypassed as in figures 1 and 2. To prevent signal distortion caused by reflections from impedance mismatches, use terminated microstrip or coaxial cable when the signal must traverse more than a few inches.

Since the pc board forms such an important part of the circuit, much time can be saved if prototype boards of any high frequency sections are built and tested early in the design phase. Evaluation boards designed for either inverting or non-inverting gains are available.

Distortion and Noise

The graphs of intercept point, I2 and I3, versus frequency on the preceding page make it easy to predict the distortion at any frequency given the output voltage of the KH231. First, convert the output voltage (Vo) to Vrms = (Vpp/2√2) and then to P = [(10log10(20Vrms²))] to get the power output in dBm. At the frequency of interest, its 2nd harmonic will be S2 = (I2-P)dB below the level of P. Its third harmonic will be S3 = 2(I3- P)dB below P, as will the two-tone third order intermodulation products. These approximations are useful for P < -1dB compression levels.

Approximate noise figure can be determined for the KH231 using the equivalent input noise graph on the preceding page. The following equation can be used to determine noise figure (F) in dB.

$$F = 10 \log \left[1 + \frac{V_n^2 + i_n^2 R_f^2}{A_v^2 4kTR_s \Delta f} \right]$$

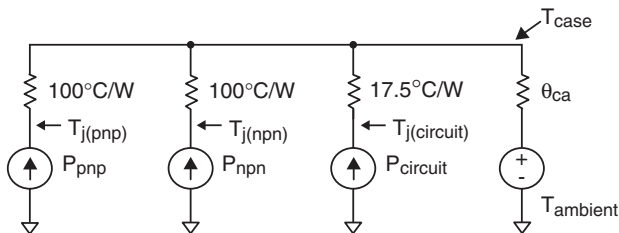
Where Vn is the rms noise voltage and in is the rms noise current. Beyond the breakpoint of the curves (i.e., where they are flat), broadband noise figure equals spot noise figure, so Δf should equal one (1) and Vn and in should be read directly off the graph. Below the breakpoint, the noise must be integrated and Δf set to the appropriate bandwidth.

Offset Voltage Adjustment

If trimming of the input offset voltage ($V_{os} = V_{ni} - V_{in}$) is desired, a resistor value of 10k Ω to 1M Ω placed between pins 8 and 9 will cause V_{os} to become more negative by 8mV to 0.2mV respectively. Similarly, a resistor placed between pins 1 and 2 will cause V_{os} to become more positive.

Thermal Considerations

At high ambient temperatures or large internal power dissipations, heat sinking is required to maintain acceptable junction temperatures. Use the thermal model on the previous page to determine junction temperatures. Many styles of heat sinks are available for TO-8 packages; the Thermalloy 2240 and 2268 are good examples. Some heat sinks are the radial fin type which cover the pc board and may interfere with external components. An excellent solution to this problem is to use surface mounted resistors and capacitors. They have a very low profile and actually improve high frequency performance. For use of these heat sinks with conventional components, a 0.1" high spacer can be inserted under the TO-8 package to allow sufficient clearance.



$$P_{(circuit)} = (I_{CC})(+V_{CC}) - (V_{CC}) \text{ where } I_{CC} = 16\text{mA at } \pm 15\text{V}$$

$$P_{(xxx)} = [(\pm V_{CC}) - V_{out} - (I_{col})(R_{col} + 4)](I_{col})(\% \text{Duty})$$

For positive V_o and V_{CC} , this is the power in the npn device. For negative V_o and V_{CC} , this is the power in the pnp device.

$$I_{col} = V_o/R_L \text{ or } 4\text{mA, whichever is greater. (Include feedback } R \text{ in } R_L.)$$

R_{col} is a resistor (33 Ω recommended) between the xxx collector and $\pm V_{CC}$.

The limiting factor for output current and voltage is junction temperature. Of secondary importance is $I_{(out)}$, which should not exceed 150mA.

$$T_{j(pnp)} = P_{(pnp)}(100 + \theta_{ca}) + (P_{(cir)} + P_{(nnp)})(\theta_{ca}) + T_a,$$

similar for $T_{j(npn)}$.

$$T_{j(cir)} = P_{(cir)}(48 + \theta_{ca}) + (P_{(pnp)} + P_{(nnp)})(\theta_{ca}) + T_a.$$

$\theta_{ca} = 65^\circ\text{C/W}$ for the KH231 without heat sink in still air.
 30°C/W for the KH231 with a Wakefield 215 heat sink in still air.
 10°C/W for the KH231 with a Wakefield 215 heat sink at 300 ft/min air.
 30°C/W for the KH231 with a Thermalloy 2240A heat sink in still air.
 5°C/W for the KH231 with a Thermalloy 2240A heat sink at 500 ft/min air.

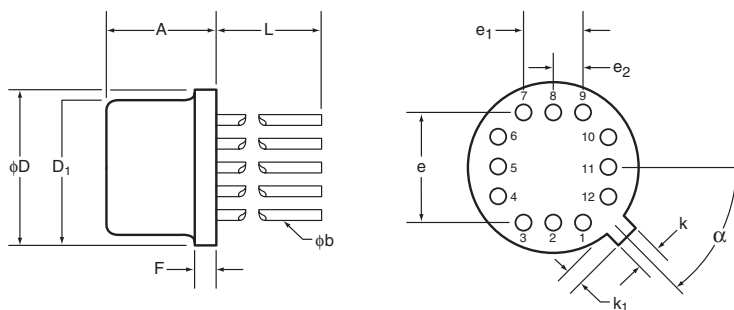
For example, with the KH231 operating at $\pm 15\text{V}$ while driving a 100 Ω load at 15V_{pp} output (50% duty cycle pulse waveform, DC = 0), $P_{(nnp)} = P_{(pnp)} = 190\text{mW}$ ($R_{col} = 33$) and $P_{(cir)} = 0.48\text{W}$. Then with the Wakefield 215 heat sink and air flow of 300 ft/min the output transistors' T_j is 28 $^\circ\text{C}$ above ambient and worst case T_j in the rest of the circuit is 32 $^\circ\text{C}$ above ambient. In still air, however, the rise in T_j is 45 $^\circ\text{C}$ and 49 $^\circ\text{C}$, respectively. With no heat sink, the rise in T_j is 75 $^\circ\text{C}$ and 79 $^\circ\text{C}$, respectively! Under most conditions, **HEAT SINKING IS REQUIRED**.

Other methods of heat sinking may be used, but for best results, make contact with the base of the KH231 package, use a large thermal capacity heat sink and use forced air convection.

Low V_{CC} Operation: Supply Current Adjustment

The KH231 is designed to operate on supplies as low as $\pm 5\text{V}$. In order to improve full bandwidth at reduced supply voltages, the supply current (I_{CC}) must be increased. The plot of Bandwidth vs. V_{CC} , shows the effect of shorting pins 1 and 2 and pins 8 and 9; this will increase both bandwidth and supply current. Care should be taken to not exceed the maximum junction temperatures; for this reason this technique should not be used with supplies exceeding $\pm 10\text{V}$. For intermediate values of V_{CC} , external resistors between pins 1 and 2 and pins 8 and 9 can be used.

KH231 Package Dimensions



TO-8				
SYMBOL	INCHES		MILIMETERS	
	Minimum	Maximum	Minimum	Maximum
A	0.142	0.181	3.61	4.60
ϕb	0.016	0.019	0.41	0.48
ϕD	0.595	0.605	15.11	15.37
ϕD_1	0.543	0.555	13.79	14.10
e	0.400 BSC		10.16 BSC	
e ₁	0.200 BSC		5.08 BSC	
e ₂	0.100 BSC		2.54 BSC	
F	0.016	0.030	0.41	0.76
k	0.026	0.036	0.66	0.91
k ₁	0.026	0.036	0.66	0.91
L	0.310	0.340	7.87	8.64
α	45° BSC		45° BSC	

NOTES:

- Seal: cap weld
- Lead finish: gold per MIL-M-38510
- Package composition:
 - Package: metal
 - Lid: Type A per MIL-M-38510

DISCLAIMER

FAIRCHILD SEMICONDUCTOR RESERVES THE RIGHT TO MAKE CHANGES WITHOUT FURTHER NOTICES TO ANY PRODUCTS HEREIN TO IMPROVE RELIABILITY, FUNCTION OR DESIGN. FAIRCHILD DOES NOT ASSUME ANY LIABILITY ARISING OUT OF THE APPLICATION OR USE OF ANY PRODUCT OR CIRCUIT DESCRIBED HEREIN; NEITHER DOES IT CONVEY ANY LICENSE UNDER ITS PATENT RIGHTS, NOR THE RIGHTS OF OTHERS.

LIFE SUPPORT POLICY

FAIRCHILD'S PRODUCTS ARE NOT AUTHORIZED FOR USE AS CRITICAL COMPONENTS IN LIFE SUPPORT DEVICES OR SYSTEMS WITHOUT THE EXPRESS WRITTEN APPROVAL OF THE PRESIDENT OF FAIRCHILD SEMICONDUCTOR CORPORATION. As used herein:

1. Life support devices or systems are devices or systems which, (a) are intended for surgical implant into the body, or (b) support or sustain life, and (c) whose failure to perform when properly used in accordance with instructions for use provided in the labeling, can be reasonably expected to result in a significant injury of the user.
2. A critical component in any component of a life support device or system whose failure to perform can be reasonably expected to cause the failure of the life support device or system, or to affect its safety or effectiveness.