



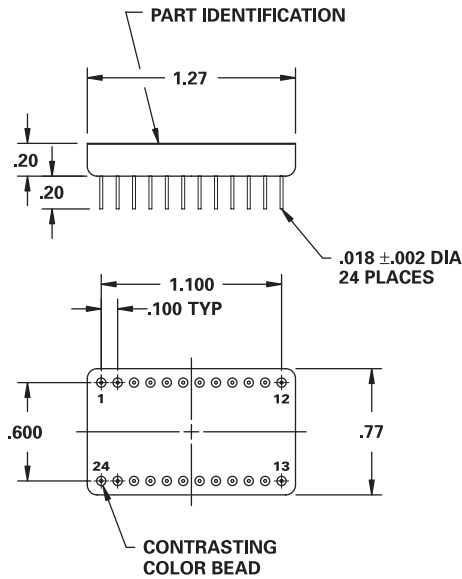
MODEL NUMBER CAT52045

Attenuator 5 Section

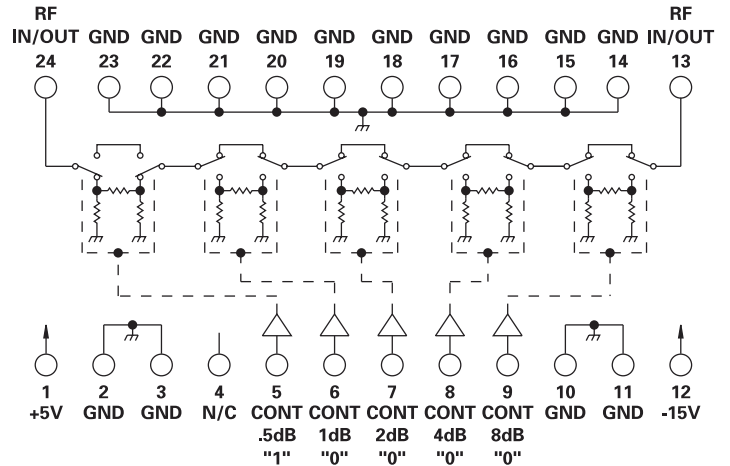
FEATURES

- 50-70 MHz
- 1.7 dB Insertion Loss
- 0.5 dB LSB
- Phase Vs. Atten. 0.5 Degrees Typ.

5 BIT



.xx = .02
.xxx = .010



GUARANTEED PERFORMANCE

Parameter	Min	Typ	Max	Units	Conditions
Operating Frequency	50		70	MHz	
DC Current		12	20	mA	At +5 VDC Supply
		26	30	mA	At -15 VDC Supply
Control Type		TTL			5 Line Logic "1" = Attenuation
Control Current	High	1	±10	µA	V _{IH} = +2.7 V
	Low	1	±10	µA	V _{IL} = +0.5 V
Insertion Loss		1.7	5	dB	
Attenuation	LSB	0	0.5	dB	.5, 1, 2, 4, 8
	Range		15.5	dB	(±3.0% of the Atten.)
	Accuracy			dB	Setting in dB ±5% 0.5, 1 dB)
Phase Vs. Attenuation	+0.48	±2		DEG	Each Bit
	+0.55	±5		DEG	Total
VSWR		1.15/1	1.5/1		
Impedance		50		OHMS	
Switching Speed		70	100	nSec	50% TTL to 90% / 10% RF
Transition (Rise/Fall) Time		8		nSec	10% / 90% or 90% / 10% RF
Switching (Video) Transients		25	75	mV	Peak Value
RF Power	Operate	+20	+16	dBm	0.1 dB Comp. @ 60 MHz
	No Damage		+20	dBm	
Operating Temperature	-30	+25	+75	°C	TA

