

LOW POWER QUAD OPERATIONAL AMPLIFIER

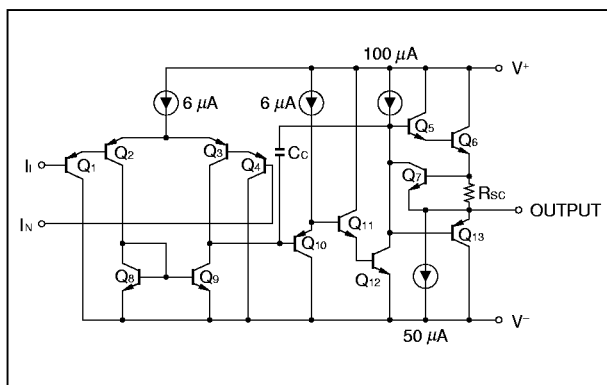
DESCRIPTION

The  $\mu$ PC324 is a quad operational amplifier which is designed to operate from a single power supply over a wide range of voltages. Operation from split power supplies is also possible and the power supply current drain is very low. Further advantage, the input common-mode voltage can also swing to ground in the linear mode.

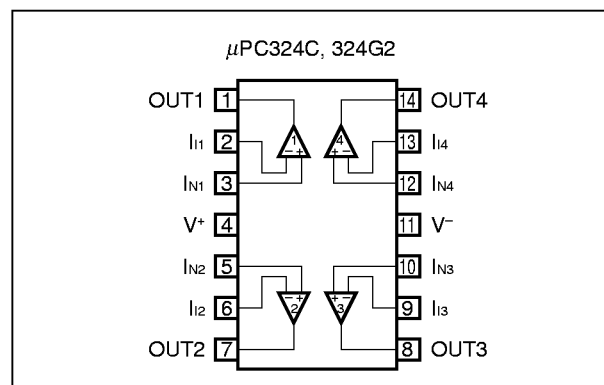
FEATURES

- Internal frequency compensation
- Wide output voltage swing  $V^-$  to  $V^+ - 1.5$  V
- Common Mode input voltage range includes  $V^-$
- Wide supply range  
 3 V to 30 V (Single)  
 $\pm 1.5$  V to  $\pm 15$  V (Split)
- Output short circuit protection

EQUIVALENT CIRCUIT (1/4 Circuit)



PIN CONFIGURATION (Top View)



ORDERING INFORMATION

Part Number	Package
$\mu$ PC324C	14-pin plastic DIP (300 mil)
$\mu$ PC324G2	14-pin plastic SOP (225 mil)

The information in this document is subject to change without notice.

**ABSOLUTE MAXIMUM RATINGS (TA = 25 °C)**

Parameter	Symbol	Ratings	Unit
Voltage between V <sup>+</sup> and V <sup>-</sup>	V <sup>+</sup> -V <sup>-</sup>	-0.3 to +32	V
Differential Input Voltage	V <sub>ID</sub>	±32	V
Input Voltage	V <sub>I</sub>	V <sup>-</sup> -0.3 to V <sup>-</sup> +32	V
Output Voltage	V <sub>O</sub>	V <sup>-</sup> -0.3 to V <sup>+</sup> +0.3	V
Power Dissipation	C Package	570	mW
	G2 Package	550	mW
Output Short Circuit Duration		Indefinite	sec
Operating Ambient Temperature	T <sub>A</sub>	-20 to +80	°C
Storage Temperature	T <sub>stg</sub>	-55 to + 125	°C

- Notes**
- Reverse connection of supply voltage can cause destruction.
  - The input voltage should be allowed to input without damage or destruction independent of the magnitude of V<sup>+</sup>. Either input signal should not be allowed to go negative by more than 0.3 V. The normal operation will establish when the both inputs are within the Common Mode Input Voltage Range of electrical characteristics.
  - This specification is the voltage which should be allowed to supply to the output terminal from external without damage or destructive. Even during the transition period of supply voltage, power on/off etc., this specification should be kept. The output voltage of normal operation will be the Output Voltage Swing of electrical characteristics.
  - Thermal derating factor is -7.6 mW/°C when operating ambient temperature is higher than 50 °C.
  - Thermal derating factor is -5.5 mW/°C when operating ambient temperature is higher than 25 °C.
  - Pay careful attention to the total power dissipation not to exceed the absolute maximum ratings, Note 4 and Note 5.

**RECOMMENDED OPERATING CONDITIONS**

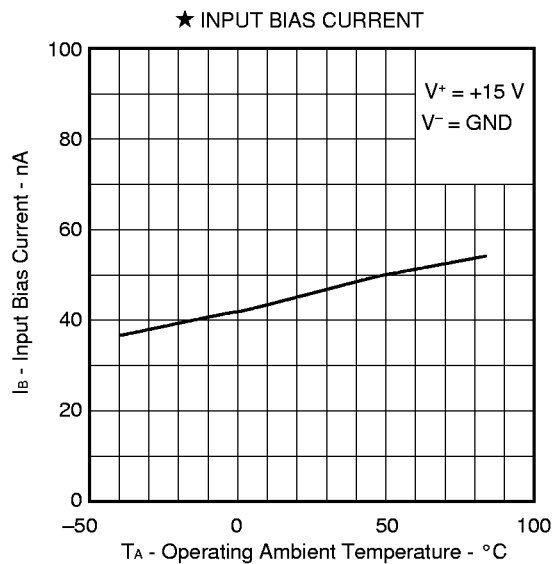
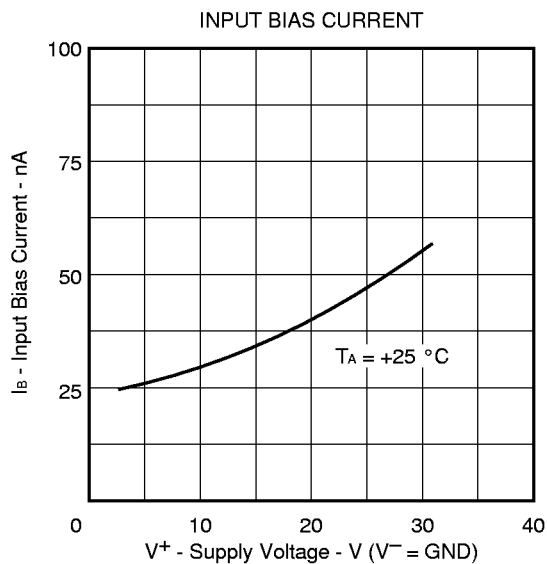
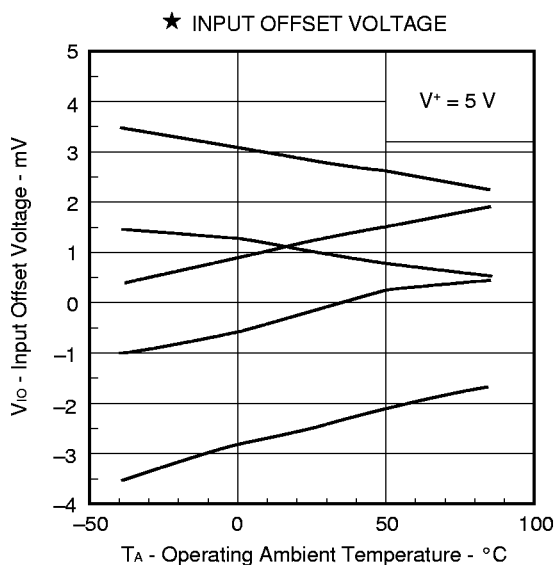
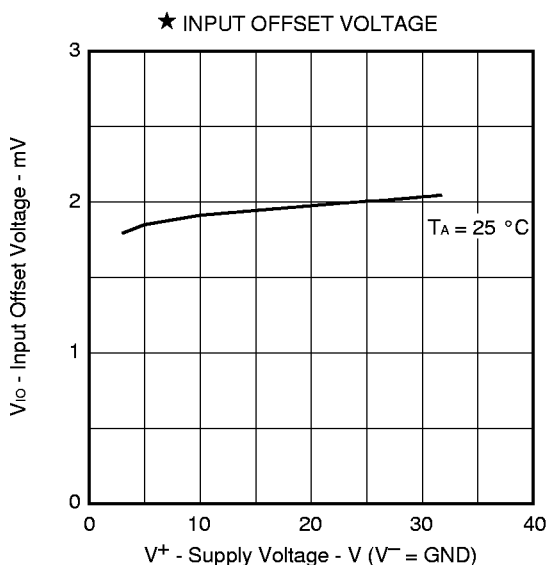
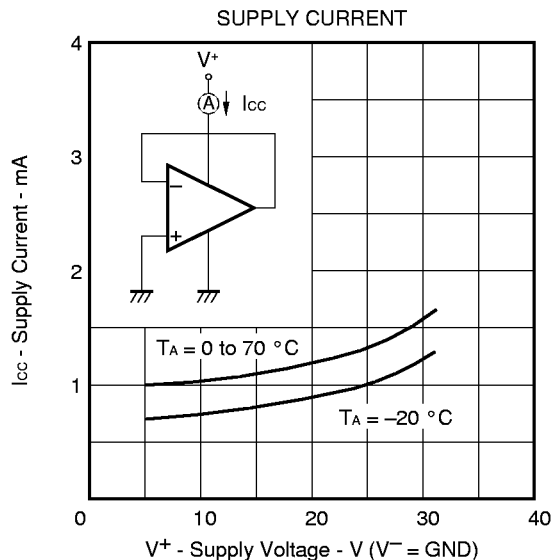
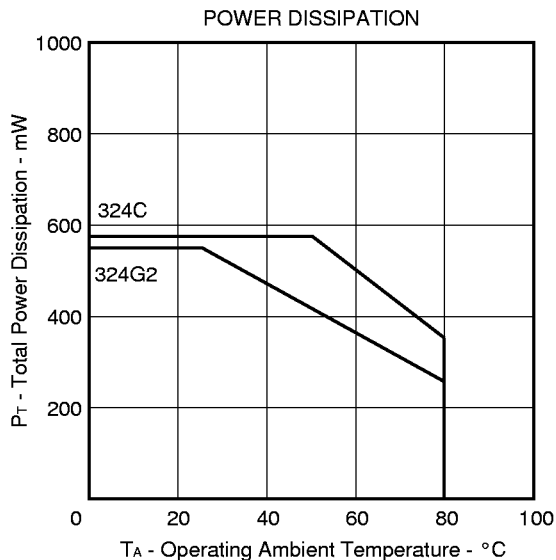
Parameter	Symbol	MIN.	TYP.	MAX.	Unit
Supply Voltage (Split)	V <sup>±</sup>	±1.5		±15	V
Supply Voltage (V <sup>-</sup> = GND)	V <sup>+</sup>	3		30	V

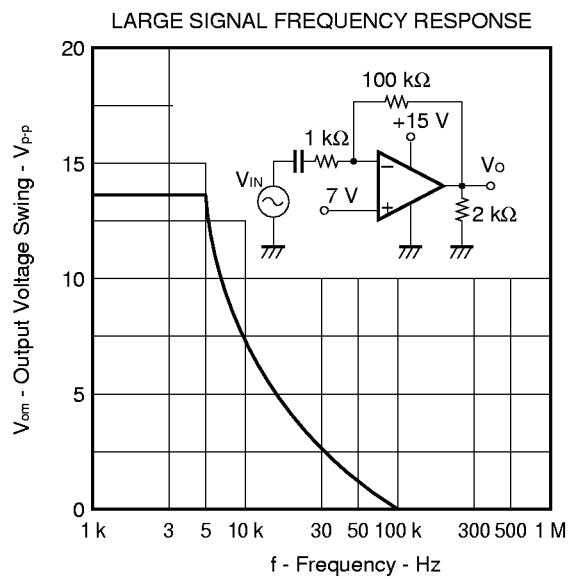
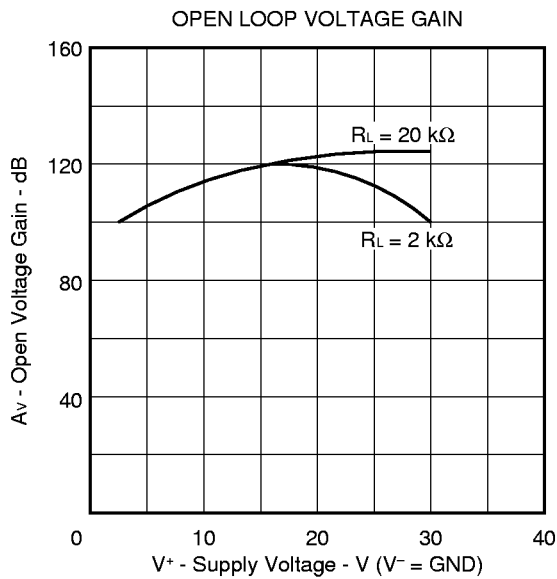
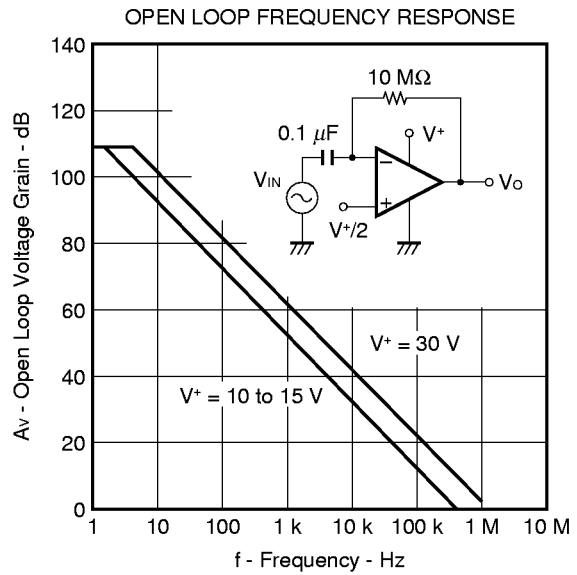
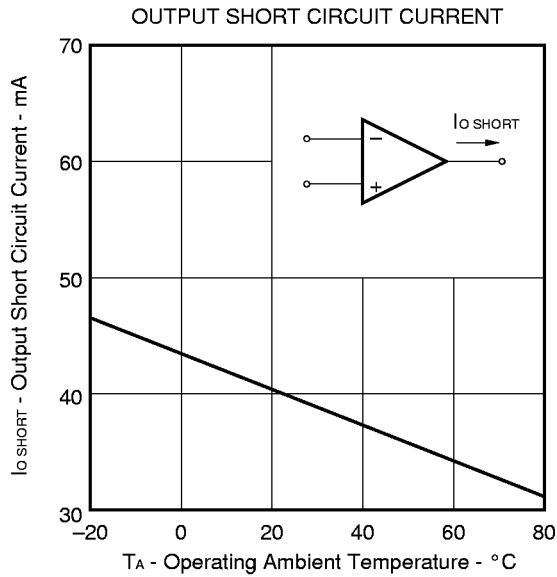
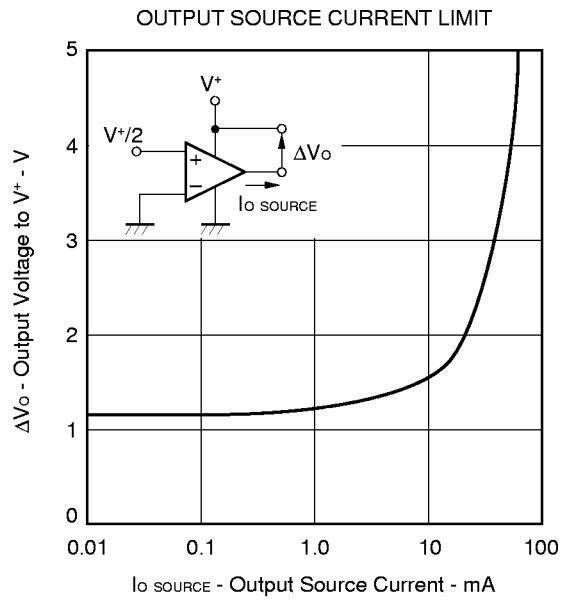
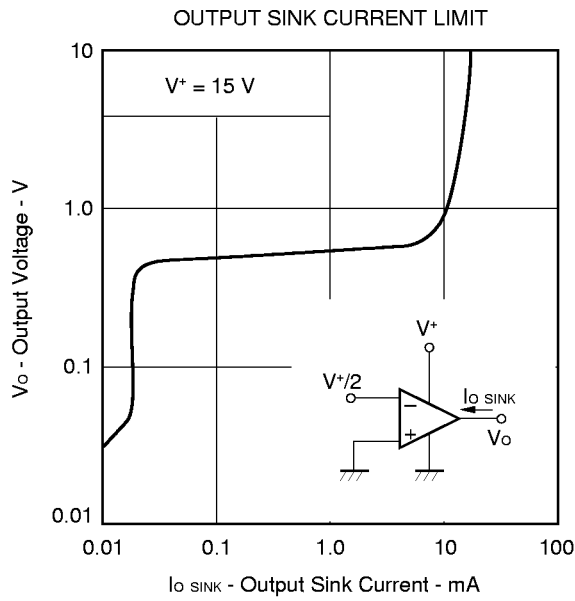
**ELECTRICAL CHARACTERISTICS (TA = 25 °C, V<sup>+</sup> = 5 V, V<sup>-</sup> = GND)**

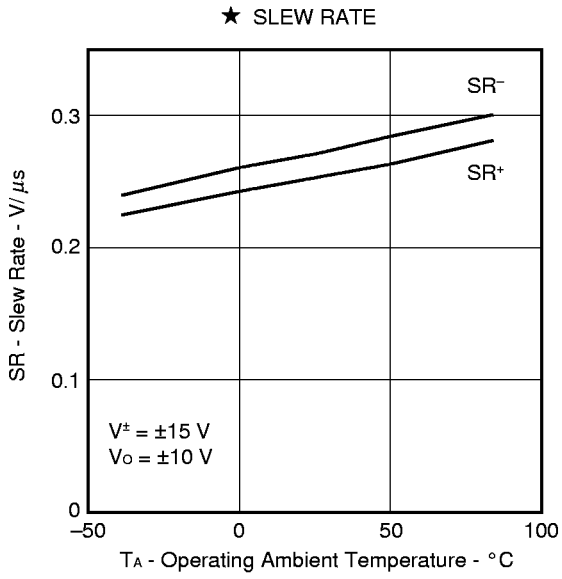
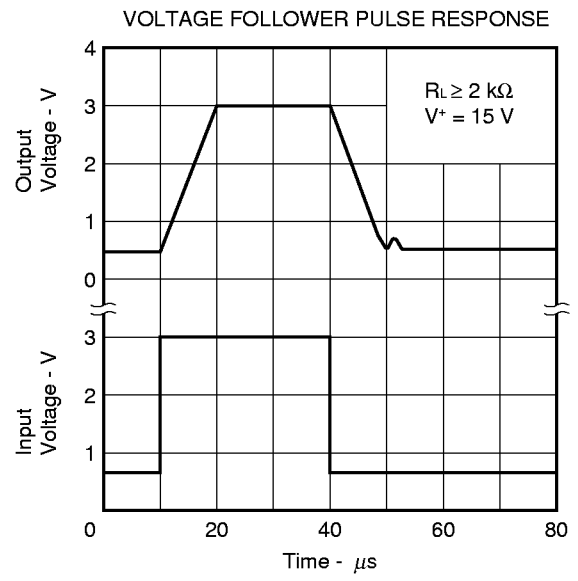
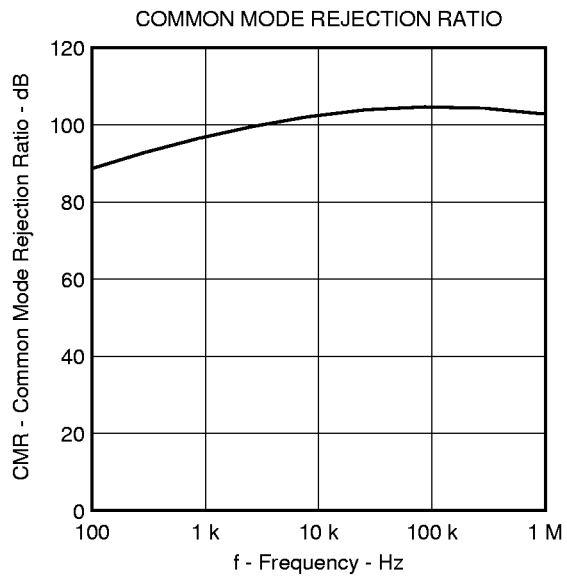
Parameter	Symbol	Conditions	MIN.	TYP.	MAX.	Unit
Input Offset Voltage	V <sub>IO</sub>	R <sub>S</sub> = 0 Ω		±2	±7	mV
Input Offset Current	I <sub>IO</sub>			±5	±50	nA
Input Bias Current	I <sub>B</sub>			45	250	nA
Large Single Voltage Gain	A <sub>V</sub>	R <sub>L</sub> ≥ 2 kΩ	25	100		V/mV
★ Supply Current	I <sub>CC</sub>	R <sub>L</sub> = ∞, I <sub>O</sub> = 0 A, All Amplifiers		1.0	2	mA
Common Mode Rejection Ratio	CMR		65	85		dB
Supply Voltage Rejection Ratio	SVR		65	100		dB
Output Voltage Swing	V <sub>O</sub>	R <sub>L</sub> = 2 kΩ (Connect to GND)	0		V <sup>+</sup> - 1.5	V
Common Mode Input Voltage Range	V <sub>ICM</sub>		0		V <sup>+</sup> - 1.5	V
Output Current (SOURCE)	I <sub>O SOURCE</sub>	V <sub>IN<sup>+</sup></sub> = +1 V, V <sub>IN<sup>-</sup></sub> = 0 V	20	40		mA
Output Current (SINK)	I <sub>O SINK</sub>	V <sub>IN<sup>-</sup></sub> = +1 V, V <sub>IN<sup>+</sup></sub> = 0 V	10	20		mA
		V <sub>IN<sup>-</sup></sub> = +1 V, V <sub>IN<sup>+</sup></sub> = 0 V, V <sub>O</sub> = 200 mV	12	50		μA
Channel Separation		f = 1 kHz to 20 kHz		120		dB

- Notes**
- Input bias currents flow out from IC. Because each currents are base current of PNP-transistor on input stage.

TYPICAL PERFORMANCE CHARACTERISTICS ( $T_A = 25\text{ }^\circ\text{C}$ , TYP.)

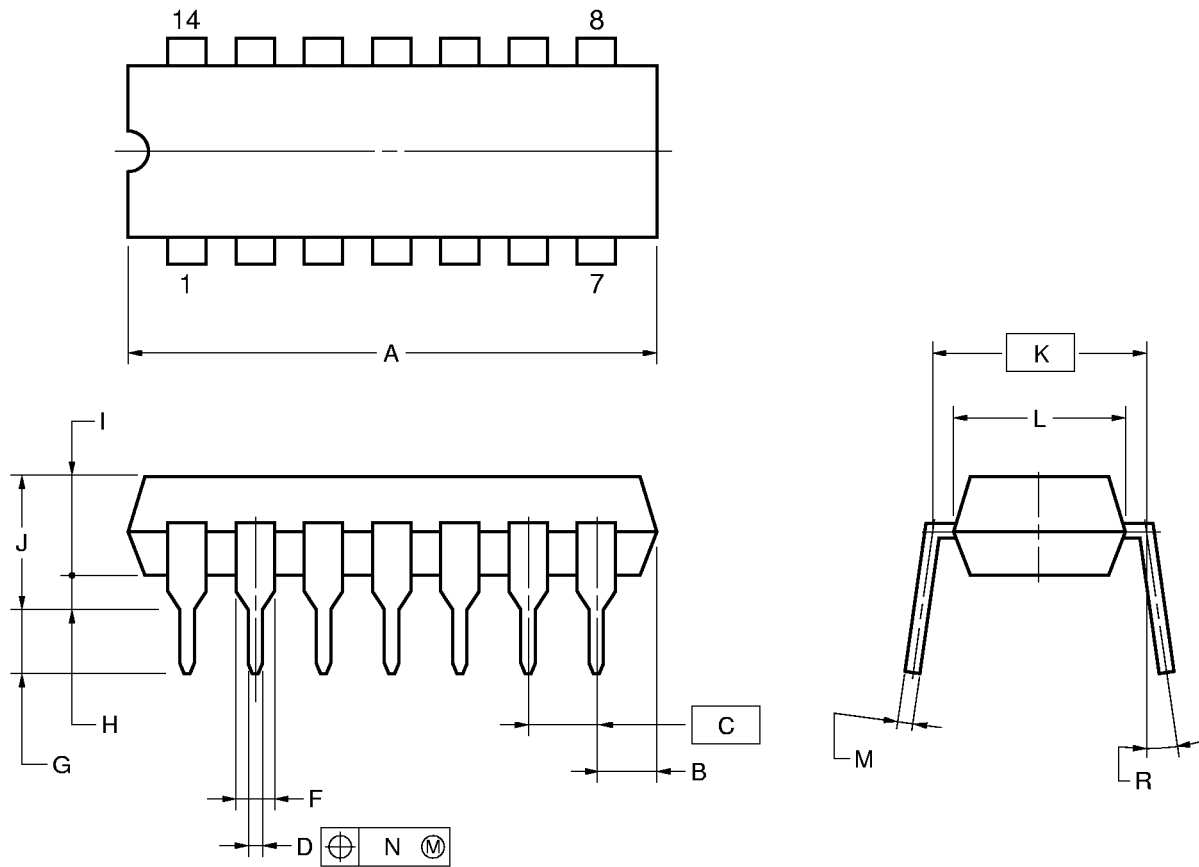






PACKAGE DRAWINGS

14PIN PLASTIC DIP (300 mil)



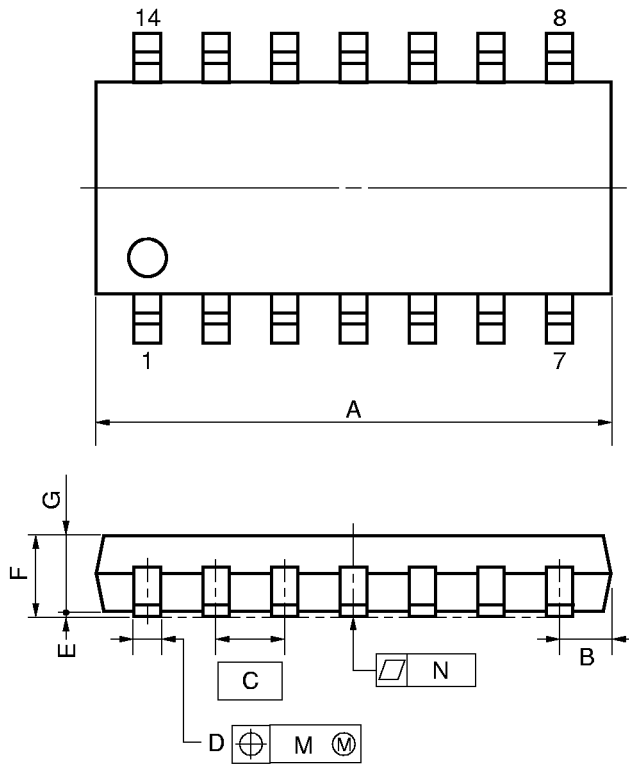
NOTES

- 1) Each lead centerline is located within 0.25 mm (0.01 inch) of its true position (T.P.) at maximum material condition.
- 2) Item "K" to center of leads when formed parallel.

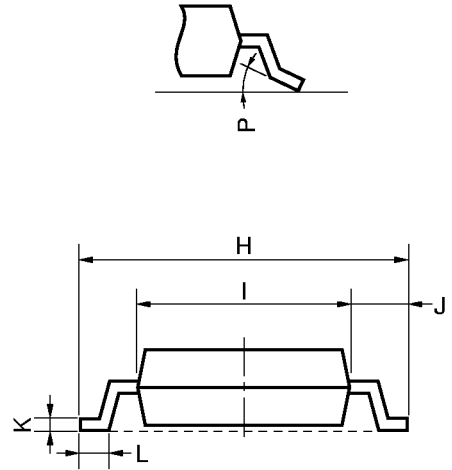
ITEM	MILLIMETERS	INCHES
A	20.32 MAX.	0.800 MAX.
B	2.54 MAX.	0.100 MAX.
C	2.54 (T.P.)	0.100 (T.P.)
D	0.50±0.10	0.020 <sup>+0.004</sup> <sub>-0.005</sub>
F	1.2 MIN.	0.047 MIN.
G	3.6±0.3	0.142±0.012
H	0.51 MIN.	0.020 MIN.
I	4.31 MAX.	0.170 MAX.
J	5.08 MAX.	0.200 MAX.
K	7.62 (T.P.)	0.300 (T.P.)
L	6.4	0.252
M	0.25 <sup>+0.10</sup> <sub>-0.05</sub>	0.010 <sup>+0.004</sup> <sub>-0.003</sub>
N	0.25	0.01
R	0~15°	0~15°

P14C-100-300B1-1

14 PIN PLASTIC SOP (225 mil)



detail of lead end



NOTE

Each lead centerline is located within 0.12 mm (0.005 inch) of its true position (T.P.) at maximum material condition.

ITEM	MILLIMETERS	INCHES
A	10.46 MAX.	0.412 MAX.
B	1.42 MAX.	0.056 MAX.
C	1.27 (T.P.)	0.050 (T.P.)
D	0.40 <sup>+0.10</sup> <sub>-0.05</sub>	0.016 <sup>+0.004</sup> <sub>-0.003</sub>
E	0.1±0.1	0.004±0.004
F	1.8 MAX.	0.071 MAX.
G	1.49	0.059
H	6.5±0.3	0.256±0.012
I	4.4	0.173
J	1.1	0.043
K	0.15 <sup>+0.10</sup> <sub>-0.05</sub>	0.006 <sup>+0.004</sup> <sub>-0.002</sub>
L	0.6±0.2	0.024 <sup>+0.008</sup> <sub>-0.009</sub>
M	0.12	0.005
N	0.10	0.004
P	3° <sup>+7°</sup> <sub>-3°</sub>	3° <sup>+7°</sup> <sub>-3°</sub>

S14GM-50-225B, C-4

**RECOMMENDED SOLDERING CONDITIONS**

When soldering this product, it is highly recommended to observe the conditions as shown below. If other soldering processes are used, or if the soldering is performed under different conditions, please make sure to consult with our sales offices.

For more details, refer to our document “**SEMICONDUCTOR DEVICE MOUNTING TECHNOLOGY MANUAL**” (C10535E).

**Surface mount device**

**μPC324G2: 14-pin plastic SOP (225 mil)**

Process	Conditions	Symbol
Infrared ray reflow	Peak temperature: 230 °C or below (Package surface temperature), Reflow time: 30 seconds or less (at 210 °C or higher), Maximum number of reflow processes: 1 time.	IR30-00-1
Vapor Phase Soldering	Peak temperature: 215 °C or below (Package surface temperature), Reflow time: 40 seconds or less (at 200 °C or higher), Maximum number of reflow processes: 1 time.	VP15-00-1
Wave Soldering	Solder temperature: 260 °C or below, Flow time: 10 seconds or less, Maximum number of flow processes: 1 time, Pre-heating temperature: 120 °C or below (Package surface temperature).	WS60-00-1
Partial heating method	Pin temperature: 300 °C or below, Heat time: 3 seconds or less (Per each side of the device).	—

**Caution** Apply only one kind of soldering condition to a device, except for “partial heating method”, or the device will be damaged by heat stress.

**Through-hole device**

**μPC324C: 14-pin plastic DIP (300 mil)**

Process	Conditions
Wave soldering (only to leads)	Solder temperature: 260 °C or below, Flow time: 10 seconds or less.
★ Partial heating method	Pin temperature: 300 °C or below, Heat time: 3 seconds or less (per each lead.)

**Caution** For through-hole device, the wave soldering process must be applied only to leads, and make sure that the package body does not get jet soldered.



**REFERENCE DOCUMENTS**

QUALITY GRADES ON NEC SEMICONDUCTOR DEVICES	C11531E
SEMICONDUCTOR DEVICE MOUNTING TECHNOLOGY MANUAL	C10535E
IC PACKAGE MANUAL	C10943X
GUIDE TO QUALITY ASSUARANCE FOR SEMICONDUCTOR DEVICES	MEI-1202
SEMICONDUCTORS SELECTION GUIDE	X10679E
NEC SEMICONDUCTOR DEVICE RELIABILITY/ QUALITY CONTROL SYSTEM - STANDARD LINEAR IC	IEI-1212