



---

---

## LCD Driver IC

*Preliminary*

**PT6601**

---

---

### DESCRIPTION

PT6601 is a Segment Driver LCD Driver IC utilizing CMOS Technology used for Large Scale Dot Matrix Liquid Crystal Graphic Displays. 80 bits of display data sent from a controller are latched using a 4-bit parallel transfer technique and LCD drive signals are generated. It can be used with Common LCD Driver, PT6630 to drive Large Screen LCD Panels.

### FEATURES

- CMOS Technology
- Supports Display Duties from 1/64 to 1/256
- Operating Supply Voltage:
  - VDD (Logic Block): 5V  $\pm$  10%
  - VDD - VEE (LCD Block): 12 to 32 V
- Operating Temperature: -20 to +75 °C
- Supports Power Reduction in Large Scale Panel via a Chip Disable Pin
- LCD Drive Circuit for 80 bits Display
- 4 -Bit Parallel Data Input
- Maximum of 6.0 MHz Data Transfer Clock and Bidirectional Shifting Supported
- Available in C.O.B. or 100-pin, QFP Package

### APPLICATION

- Peripheral Device

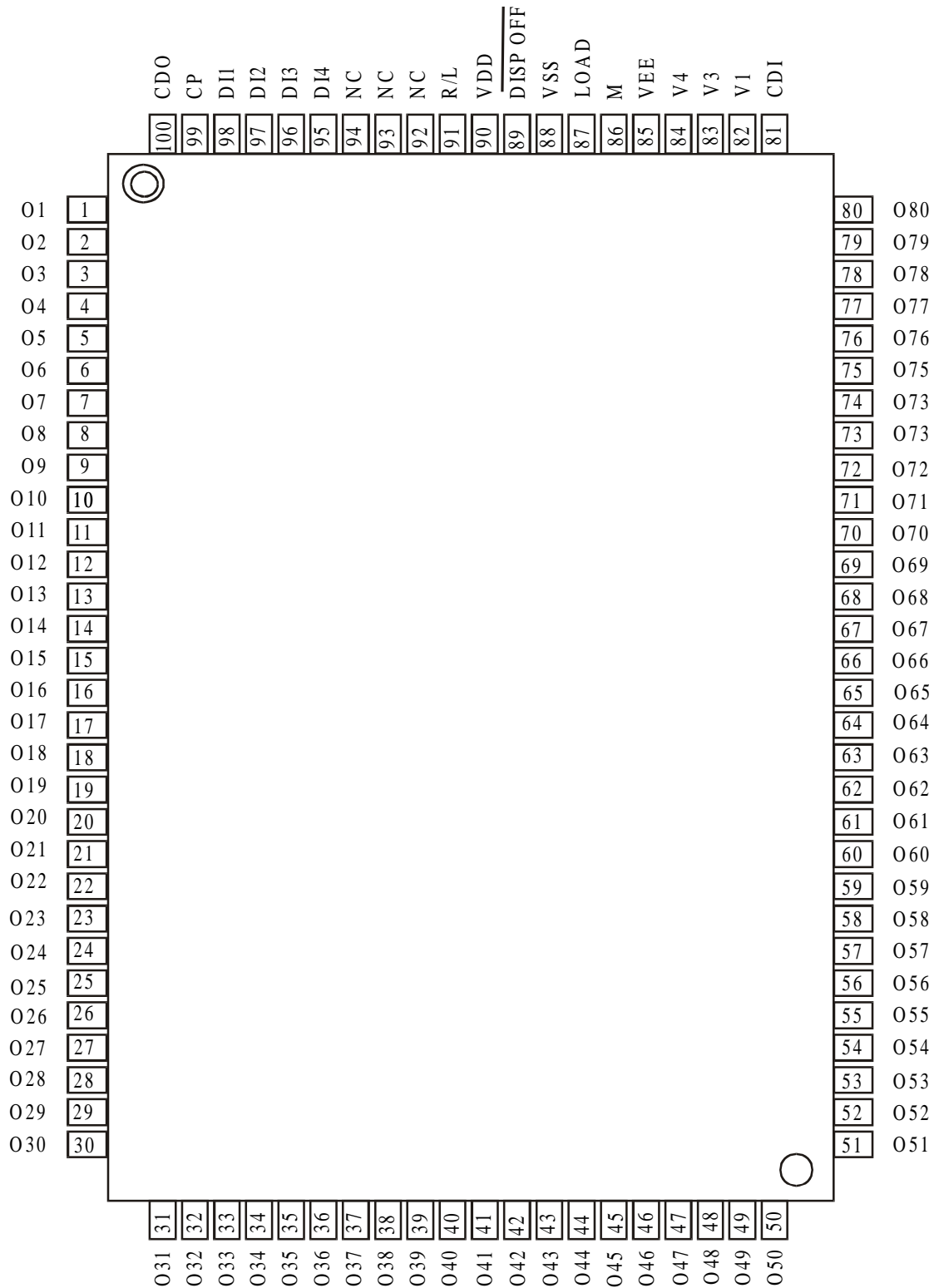


LCD Driver IC

Preliminary

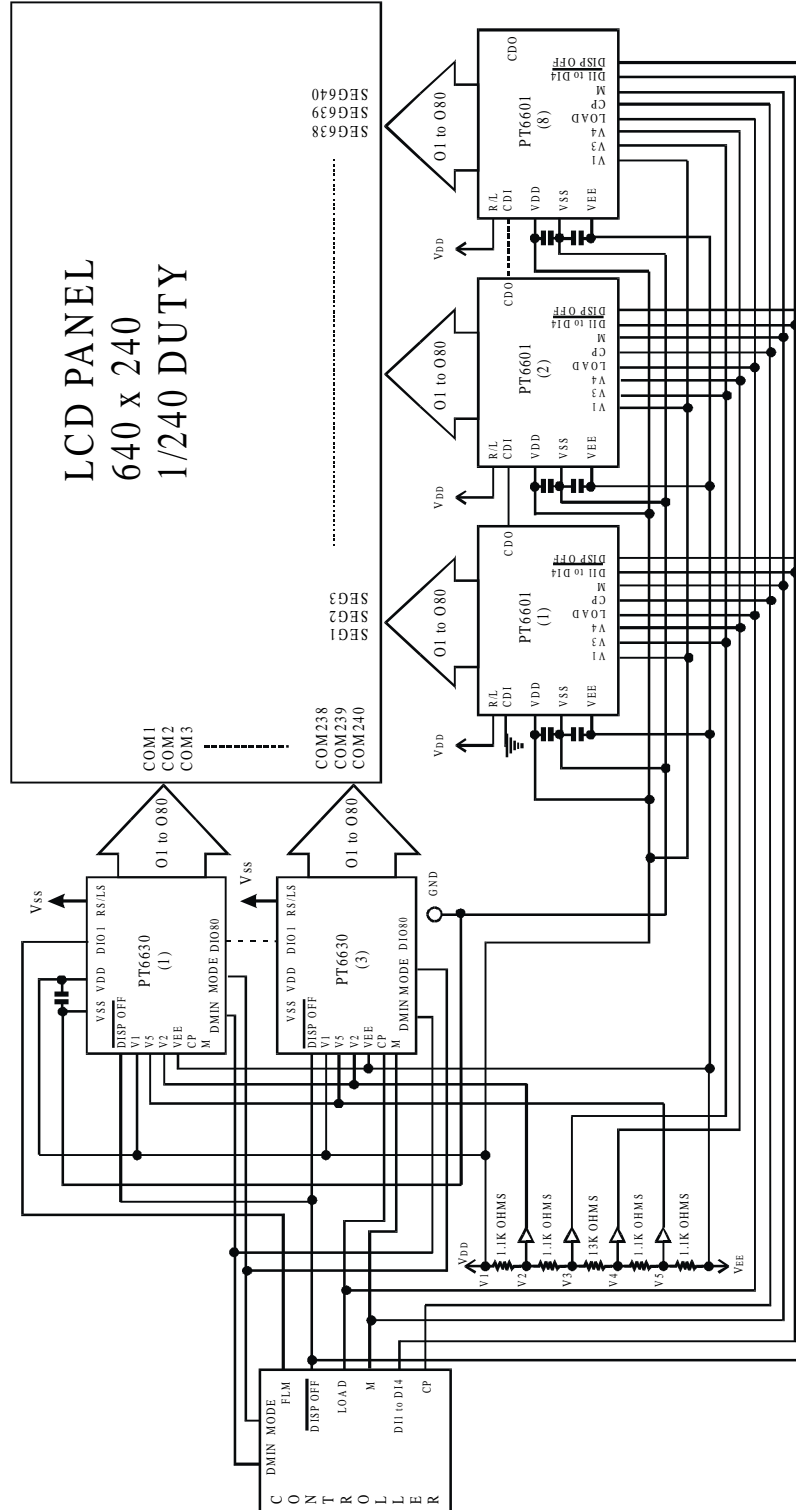
PT6601

PIN CONFIGURATION





APPLICATION CIRCUIT



Note: VDD=5V, VEE=-20V, V1=5V, V2=3.4V, V3=1.5V, V4=-16.8V, V5=-18.4V



**ORDER INFORMATION**

Valid Part Number	Package Type
PT6601	100 Pins, QFP Package
PT6601-H	C.O.B.