

12-Bit, 3MSPS, Sampling A/D Converter


May 1998

FEATURES

- **Sample Rate: 3MSPS**
- **72dB S/(N + D) and 82dB SFDR at Nyquist**
- **$\pm 0.35\text{LSB INL}$ and $\pm 0.25\text{LSB DNL (Typ)}$**
- **Power Dissipation: 150mW**
- External or Internal Reference Operation
- True Differential Inputs Reject Common Mode Noise
- 40MHz Full Power Bandwidth Sampling
- $\pm 2.5\text{V}$ Bipolar Input Range
- No Pipeline Delay
- 28-Pin SSOP Package

APPLICATIONS

- Telecommunications
- Digital Signal Processing
- Multiplexed Data Acquisition Systems
- High Speed Data Acquisition
- Spectrum Analysis
- Imaging Systems

 LTC and LT are registered trademarks of Linear Technology Corporation.

DESCRIPTION

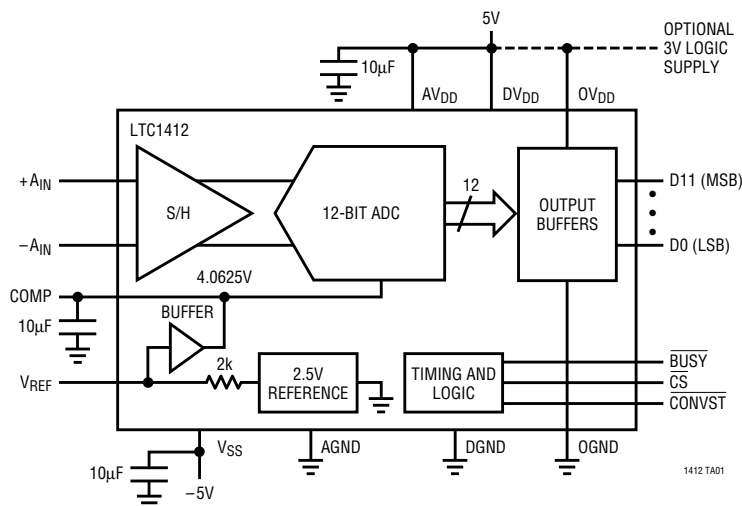
The LTC[®]1412 is a 12-bit, 3MSPS, sampling A/D converter. This high performance device includes a high dynamic range sample-and-hold and a precision reference. Operating from $\pm 5\text{V}$ supplies it draws only 150mW.

The $\pm 2.5\text{V}$ input range is optimized for low noise and low distortion. Most high performance op amps also perform best over this range, allowing direct coupling to the analog inputs and eliminating the need for special translation circuitry. Outstanding AC performance includes 72dB S/(N + D) and 82dB SFDR at the Nyquist input frequency of 1.5MHz.

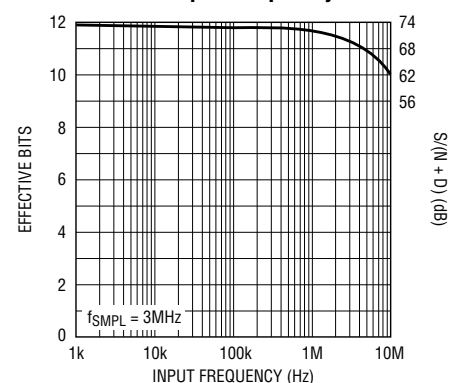
The unique differential input sample-and-hold can acquire single-ended or differential input signals up to its 40MHz bandwidth. The 60dB common mode rejection allows users to eliminate ground loops and common mode noise by measuring signals differentially from the source.

The ADC has a high speed 12-bit parallel output port. There is no pipeline delay in the conversion results. A separate convert start input and converter status signal ($\overline{\text{BUSY}}$) ease connections to FIFOs, DSPs and microprocessors. A digital output driver power supply pin allows direct connection to 3V logic.

TYPICAL APPLICATION



Effective Bits and Signal-to-Noise + Distortion vs Input Frequency

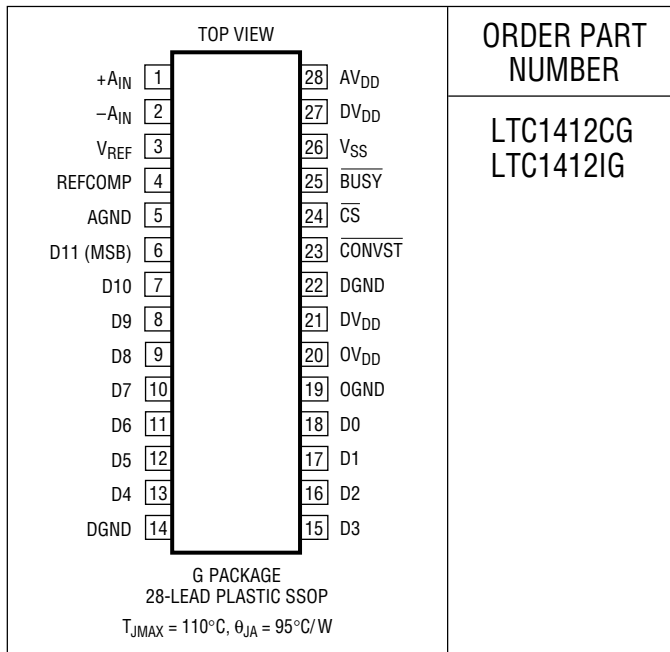


ABSOLUTE MAXIMUM RATINGS

$AV_{DD} = DV_{DD} = V_{DD}$ (Notes 1, 2)

| | |
|---|--|
| Supply Voltage (V_{DD}) | 6V |
| Negative Supply Voltage (V_{SS}) | -6V |
| Total Supply Voltage (V_{DD} to V_{SS}) | 12V |
| Analog Input Voltage | |
| (Note 3) | ($V_{SS} - 0.3V$) to ($V_{DD} + 0.3V$) |
| Digital Input Voltage (Note 4) | ($V_{SS} - 0.3V$) to 10V |
| Digital Output Voltage | ($V_{SS} - 0.3V$) to ($V_{DD} + 0.3V$) |
| Power Dissipation | 500mW |
| Operating Temperature Range | |
| LTC1412C | 0°C to 70°C |
| LTC1412I | -40°C to 85°C |
| Storage Temperature Range | -65°C to 150°C |
| Lead Temperature (Soldering, 10 sec) | 300°C |

PACKAGE/ORDER INFORMATION



ORDER PART NUMBER

LTC1412CG
LTC1412IG

Consult factory for Military grade parts.

CONVERTER CHARACTERISTICS With internal reference (Notes 5, 6)

| PARAMETER | CONDITIONS | MIN | TYP | MAX | UNITS |
|-------------------------------|--------------------|-----|-------|-----|--------|
| Resolution (No Missing Codes) | | ● | 12 | | Bits |
| Integral Linearity Error | (Note 7) | ● | ±0.35 | ±1 | LSB |
| Differential Linearity Error | | ● | ±0.25 | ±1 | LSB |
| Offset Error | (Note 8) | ● | ±2 | ±6 | LSB |
| | | | | ±8 | LSB |
| Full-Scale Error | | | | ±15 | LSB |
| Full-Scale Tempco | $I_{OUT(REF)} = 0$ | ● | ±15 | | ppm/°C |

ANALOG INPUT (Note 5)

| SYMBOL | PARAMETER | CONDITIONS | MIN | TYP | MAX | UNITS |
|--------------|--|---|-----|---------|-----|----------|
| V_{IN} | Analog Input Range (Note 9) | $4.75V \leq V_{DD} \leq 5.25V$, $-5.25V \leq V_{SS} \leq -4.75V$ | ● | ±2.5 | | V |
| I_{IN} | Analog Input Leakage Current | $\overline{CS} = \text{High}$ | ● | | ±1 | μA |
| C_{IN} | Analog Input Capacitance | Between Conversions During Conversions | | 10 4 | | pF pF |
| t_{ACQ} | Sample-and-Hold Acquisition Time | | ● | 20 | 50 | ns |
| t_{AP} | Sample-and-Hold Aperture Delay Time | | | -0.5 | | ns |
| t_{jitter} | Sample-and-Hold Aperture Delay Time Jitter | | | 1 | | psRMS |
| CMRR | Analog Input Common Mode Rejection Ratio | $-2.5V < (-A_{IN} = A_{IN}) < 2.5V$ | | 63 | | dB |

DYNAMIC ACCURACY (Note 5)

| SYMBOL | PARAMETER | CONDITIONS | MIN | TYP | MAX | UNITS |
|-----------|---------------------------------------|--|------------------------------|------|-----|-------|
| S/(N + D) | Signal-to-Noise Plus Distortion Ratio | 100kHz Input Signal | | 72.5 | | dB |
| | | 1.465MHz Input Signal | 70 | 72 | | dB |
| THD | Total Harmonic Distortion | 100kHz Input Signal, First 5 Harmonics | | -90 | | dB |
| | | 1.465MHz Input Signal, First 5 Harmonics | | -80 | | dB |
| SFDR | Spurious Free Dynamic Range | 1.465MHz Input Signal | | 82 | | dB |
| IMD | Intermodulation Distortion | $f_{IN1} = 29.37\text{kHz}$, $f_{IN2} = 32.446\text{kHz}$ | | -84 | | dB |
| | | Full Power Bandwidth | | 40 | | MHz |
| | | Full Linear Bandwidth | $S/(N + D) \geq 68\text{dB}$ | | 4 | |

INTERNAL REFERENCE CHARACTERISTICS (Note 5)

| PARAMETER | CONDITIONS | MIN | TYP | MAX | UNITS |
|-----------------------------|---|-------|----------|-------|------------|
| V_{REF} Output Voltage | $I_{OUT} = 0$ | 2.480 | 2.500 | 2.520 | V |
| V_{REF} Output Tempco | $I_{OUT} = 0$ | | ± 15 | | ppm/°C |
| V_{REF} Line Regulation | $4.75\text{V} \leq V_{DD} \leq 5.25\text{V}$ | | 0.01 | | LSB/V |
| | $-5.25\text{V} \leq V_{SS} \leq -4.75\text{V}$ | | 0.01 | | LSB/V |
| V_{REF} Output Resistance | $0.1\text{mA} \leq I_{OUT} \leq 0.1\text{mA}$ | | 2 | | k Ω |
| COMP Output Voltage | $I_{OUT} = 0$ | | 4.06 | | V |

DIGITAL INPUTS AND OUTPUTS (Note 5)

| SYMBOL | PARAMETER | CONDITIONS | MIN | TYP | MAX | UNITS |
|--------------|-----------------------------------|--|-----|-----|----------|---------------|
| V_{IH} | High Level Input Voltage | $V_{DD} = 5.25\text{V}$ | ● | 2.4 | | V |
| V_{IL} | Low Level Input Voltage | $V_{DD} = 4.75\text{V}$ | ● | | 0.8 | V |
| I_{IN} | Digital Input Current | $V_{IN} = 0\text{V}$ to V_{DD} | ● | | ± 10 | μA |
| C_{IN} | Digital Input Capacitance | | | 1.4 | | pF |
| V_{OH} | High Level Output Voltage | $V_{DD} = 4.75\text{V}$, $I_O = -10\mu\text{A}$ | ● | 4.0 | 4.75 | V |
| | | $V_{DD} = 4.75\text{V}$, $I_O = -200\mu\text{A}$ | | | 4.71 | V |
| V_{OL} | Low Level Output Voltage | $V_{DD} = 4.75\text{V}$, $I_O = 160\mu\text{A}$ | ● | | 0.05 | V |
| | | $V_{DD} = 4.75\text{V}$, $I_O = 1.6\text{mA}$ | | | 0.10 | 0.4 |
| I_{OZ} | Hi-Z Output Leakage D11 to D0 | $V_{OUT} = 0\text{V}$ to V_{DD} , \overline{CS} High | ● | | ± 10 | μA |
| C_{OZ} | Hi-Z Output Capacitance D11 to D0 | \overline{CS} High (Note 9) | | 7 | | pF |
| I_{SOURCE} | Output Source Current | $V_{OUT} = 0\text{V}$ | | -10 | | mA |

POWER REQUIREMENTS (Note 5)

| SYMBOL | PARAMETER | CONDITIONS | MIN | TYP | MAX | UNITS |
|----------|-------------------------|----------------------|-----|-------|-------|-------|
| V_{DD} | Positive Supply Voltage | (Note 10) | | 4.75 | 5.25 | V |
| V_{SS} | Negative Supply Voltage | (Note 10) | | -4.75 | -5.25 | V |
| I_{DD} | Positive Supply Current | \overline{CS} High | ● | 12 | 16 | mA |
| I_{SS} | Negative Supply Current | \overline{CS} High | ● | 18 | 28 | mA |
| P_D | Power Dissipation | | ● | 150 | 220 | mW |

TIMING CHARACTERISTICS (Note 5)

| SYMBOL | PARAMETER | CONDITIONS | MIN | TYP | MAX | UNITS |
|--------------------------|---|----------------------|--------|------------|----------------|----------------|
| $f_{\text{SAMPLE(MAX)}}$ | Maximum Sampling Frequency | | ● | 3 | | MHz |
| $t_{\text{THROUGHPUT}}$ | Throughput Time (Acquisition + Conversion) | | ● | | 333 | ns |
| t_{CONV} | Conversion Time | | ● | 240 | 283 | ns |
| t_{ACQ} | Acquisition Time | | ● | 20 | 50 | ns |
| t_1 | $\overline{\text{CS}}\downarrow$ to $\overline{\text{CONVST}}\downarrow$ Setup Time | (Notes 9, 10) | ● | 5 | | ns |
| t_2 | $\overline{\text{CONVST}}$ Low Time | (Note 10) | ● | 20 | | ns |
| t_3 | $\overline{\text{CONVST}}$ to $\overline{\text{BUSY}}$ Delay | $C_L = 25\text{pF}$ | ● | 5 | 20 | ns ns |
| t_4 | Data Ready Before $\overline{\text{BUSY}}\uparrow$ | | ● | -20 -25 | 0 25 | ns ns |
| t_5 | Delay Between Conversions | (Note 10) | ● | 50 | | ns |
| t_6 | Data Access Time After $\overline{\text{CS}}\downarrow$ | $C_L = 25\text{pF}$ | ● | | 10 35 45 | ns ns ns |
| t_7 | Bus Relinquish Time | LTC1412C LTC1412I | ● ● | | 8 35 40 | ns ns ns |
| t_8 | $\overline{\text{CONVST}}$ High Time | | ● | 20 | | ns |
| t_9 | Aperture Delay of Sample-and-Hold | | | | -1 | ns |

The ● denotes specifications which apply over the full operating temperature range; all other limits and typicals $T_A = 25^\circ\text{C}$.

Note 1: Absolute Maximum Ratings are those values beyond which the life of a device may be impaired.

Note 2: All voltage values are with respect to ground with DGND and AGND wired together (unless otherwise noted).

Note 3: When these pin voltages are taken below V_{SS} or above V_{DD} , they will be clamped by internal diodes. This product can handle input currents greater than 100mA below V_{SS} or above V_{DD} without latchup.

Note 4: When these pin voltages are taken below V_{SS} they will be clamped by internal diodes. This product can handle input currents greater than 100mA below V_{SS} without latchup. These pins are not clamped to V_{DD} .

Note 5: $V_{DD} = 5\text{V}$, $f_{\text{SAMPLE}} = 3\text{MHz}$ and $t_r = t_f = 5\text{ns}$ unless otherwise specified.

Note 6: Linearity, offset and full-scale specifications apply for a single-ended A_{IN} input with $-A_{IN}$ grounded.

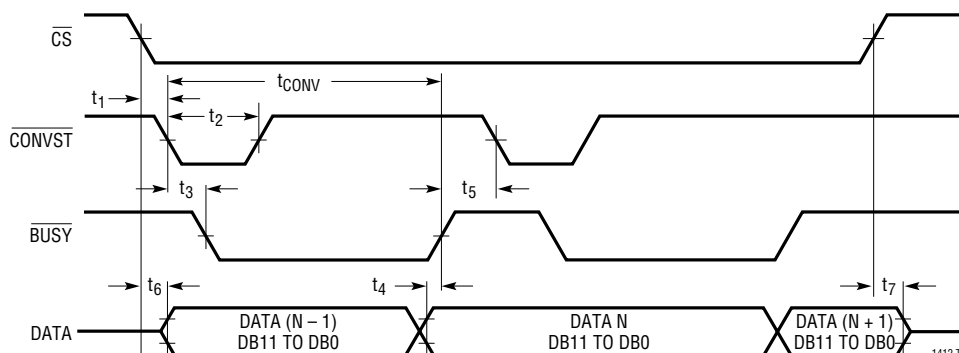
Note 7: Integral nonlinearity is defined as the deviation of a code from a straight line passing through the actual endpoints of the transfer curve. The deviation is measured from the center of the quantization band.

Note 8: Bipolar offset is the offset voltage measured from -0.5LSB when the output code flickers between 0000 0000 0000 and 1111 1111 1111.

Note 9: Guaranteed by design, not subject to test.

Note 10: Recommended operating conditions.

TIMING DIAGRAM



PIN FUNCTIONS

+A_{IN} (Pin 1): Positive Analog Input. $\pm 2.5V$ input range when $-A_{IN}$ is grounded. $\pm 2.5V$ differential if $-A_{IN}$ is driven.

-A_{IN} (Pin 2): Negative Analog Input. Can be grounded or driven differentially with $+A_{IN}$.

V_{REF} (Pin 3): 2.5V Reference Output.

REFCOMP (Pin 4): 4.06V Reference Bypass Pin. Bypass to AGND with $10\mu F$ ceramic (or $10\mu F$ tantalum in parallel with $0.1\mu F$ ceramic).

AGND (Pin 5): Analog Ground.

D11 to D4 (Pins 6 to 13): Three-State Data Outputs.

DGND (Pin 14): Digital Ground for Internal Logic.

D3 to D0 (Pins 15 to 18): Three-State Data Outputs.

OGND (Pin 19): Digital Ground for the Output Drivers.

OV_{DD} (Pin 20): Positive Supply for the Output Drivers. Tie to Pin 28 when driving 5V logic. Tie to 3V when driving 3V logic.

DV_{DD} (Pin 21): 5V Positive Supply. Tie to Pin 28. Bypass to AGND with $0.1\mu F$ ceramic.

DGND (Pin 22): Digital Ground for Internal Logic.

CONVST (Pin 23): Conversion Start Signal. This active low signal starts a conversion on its falling edge.

CS (Pin 24): Chip Select. This input must be low for the ADC to recognize the CONVST inputs.

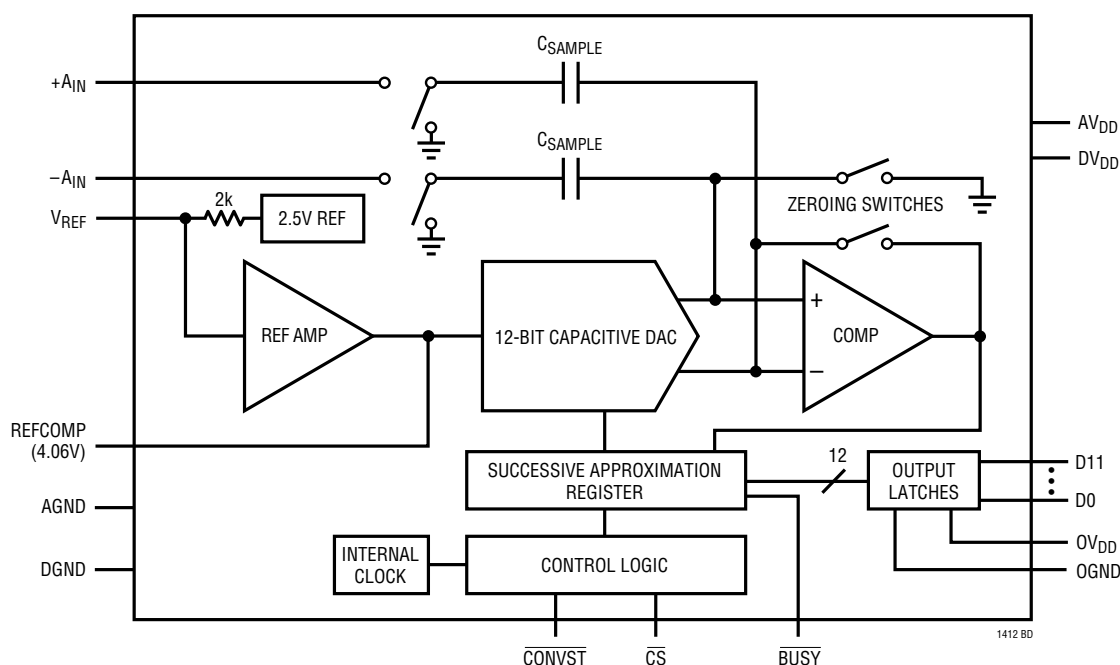
BUSY (Pin 25): The BUSY Output Shows the Converter Status. It is low when a conversion is in progress.

V_{SS} (Pin 26): $-5V$ Negative Supply. Bypass to AGND with $10\mu F$ ceramic (or $10\mu F$ tantalum in parallel with $0.1\mu F$ ceramic).

DV_{DD} (Pin 27): 5V Positive Supply. Tie to Pin 28.

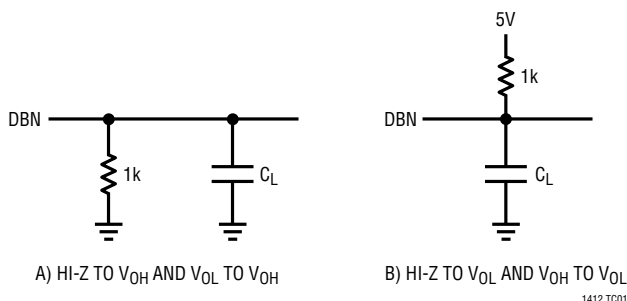
AV_{DD} (Pin 28): 5V Positive Supply. Bypass to AGND with $10\mu F ceramic (or $10\mu F$ tantalum in parallel with $0.1\mu F$ ceramic).$

FUNCTIONAL BLOCK DIAGRAM

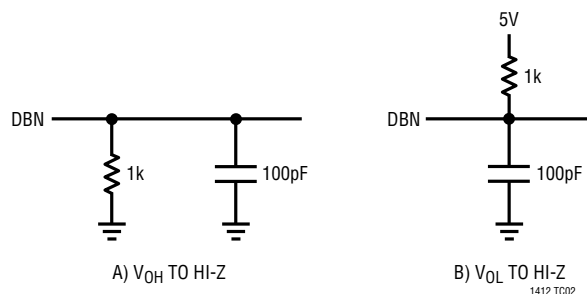


TEST CIRCUITS

Load Circuits for Access Timing



Load Circuits for Output Float Delay



APPLICATIONS INFORMATION

Driving the Analog Input

The differential analog inputs of the LTC1412 are easy to drive. The inputs may be driven differentially or as a single-ended input (i.e., the $-A_{IN}$ input is grounded). The $+A_{IN}$ and $-A_{IN}$ inputs are sampled at the same instant. Any unwanted signal that is common mode to both inputs will be reduced by the common mode rejection of the sample-and-hold circuit. The inputs draw only one small current spike while charging the sample-and-hold capacitors at the end of conversion. During conversion, the analog inputs draw only a small leakage current. If the source impedance of the driving circuit is low then the LTC1412 inputs can be driven directly. As source impedance increases so will acquisition time (see Figure 1). For mini-

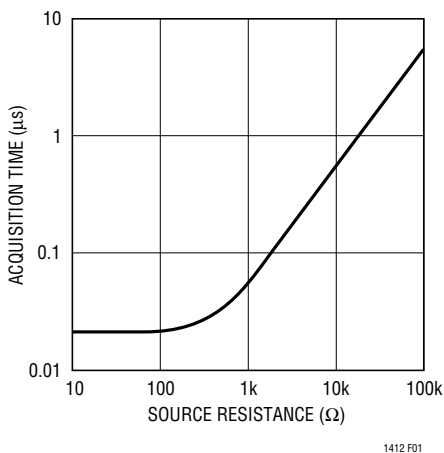


Figure 1. Acquisition Time vs Source Resistance

imum acquisition time, with high source impedance, a buffer amplifier must be used. The only requirement is that the amplifier driving the analog input(s) must settle after the small current spike before the next conversion starts (settling time must be 50ns for full throughput rate).

Choosing an Input Amplifier

Choosing an input amplifier is easy if a few requirements are taken into consideration. First, to limit the magnitude of the voltage spike seen by the amplifier from charging the sampling capacitor, choose an amplifier that has a low output impedance ($<100\Omega$) at the closed-loop bandwidth frequency. For example, if an amplifier is used in a gain of 1 and has a unity-gain bandwidth of 50MHz, then the output impedance at 50MHz must be less than 100Ω . The second requirement is that the closed-loop bandwidth must be greater than 40MHz to ensure adequate small-signal settling for full throughput rate. If slower op amps are used, more settling time can be provided by increasing the time between conversions.

The best choice for an op amp to drive the LTC1412 will depend on the application. Generally applications fall into two categories: AC applications where dynamic specifications are most critical and time domain applications where DC accuracy and settling time are most critical. The following list is a summary of the op amps that are suitable for driving the LTC1412. More detailed information is available in the Linear Technology Databooks and on the LinearView™ CD-ROM.

LinearView is a trademark of Linear Technology Corporation.

APPLICATIONS INFORMATION

LT®1223: 100MHz Video Current Feedback Amplifier. 6mA supply current. $\pm 5V$ to $\pm 15V$ supplies. Low distortion at frequencies above 400kHz. Low Noise. Good for AC applications.

LT1227: 140MHz Video Current Feedback Amplifier. 10mA supply current. $\pm 5V$ to $\pm 15V$ supplies. Lowest distortion at frequencies above 400kHz. Low Noise. Best for AC applications.

LT1229/LT1230: Dual and Quad 100MHz Current Feedback Amplifiers. $\pm 2V$ to $\pm 15V$ supplies. Low Noise. Good AC specifications, 6mA supply current each amplifier.

LT1360: 50MHz Voltage Feedback Amplifier. 3.8mA supply current. $\pm 5V$ to $\pm 15V$ supplies. Good AC and DC specifications. 70ns settling to 0.5LSB.

LT1363: 70MHz, 1000V/ μs Op Amps. 6.3mA supply current. Good AC and DC specifications. 60ns settling to 0.5LSB.

LT1364/LT1365: Dual and Quad 70MHz, 1000V/ μs Op Amps. 6.3mA supply current per amplifier. 60ns settling to 0.5LSB.

Input Filtering

The noise and the distortion of the input amplifier and other circuitry must be considered since they will add to the LTC1412 noise and distortion. The small-signal bandwidth of the sample-and-hold circuit is 40MHz. Any noise or distortion products that are present at the analog inputs will be summed over this entire bandwidth. Noisy input circuitry should be filtered prior to the analog inputs to minimize noise. A simple 1-pole RC filter is sufficient for many applications.

For example, Figure 2 shows a 500pF capacitor from +A_{IN} to ground and a 100 Ω source resistor to limit the input bandwidth to 3.2MHz. The 500pF capacitor also acts as a charge reservoir for the input sample-and-hold and isolates the ADC input from sampling glitch-sensitive circuitry. High quality capacitors and resistors should be used since these components can add distortion. NPO and silver mica type dielectric capacitors have excellent linearity. Carbon surface mount resistors can also generate

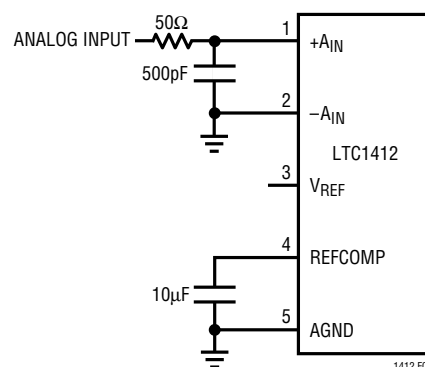


Figure 2. RC Input Filter

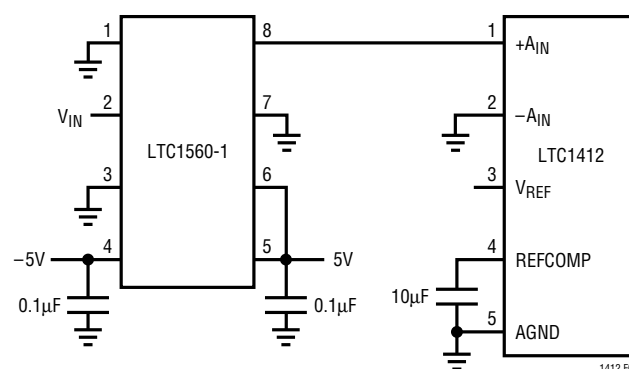


Figure 3. 1MHz Fifth-Order Elliptic Lowpass Filter

distortion from self heating and from damage that may occur during soldering. Metal film surface mount resistors are much less susceptible to both problems.

When high amplitude unwanted signals are close in frequency to the desired signal frequency, a multiple pole filter is required. Figure 3 shows a simple implementation using an LTC1560-1 fifth-order elliptic continuous time filter.

Input Range

The $\pm 2.5V$ input range of the LTC1412 is optimized for low noise and low distortion. Most op amps also perform best over this same range, allowing direct coupling to the analog inputs and eliminating the need for special translation circuitry.

APPLICATIONS INFORMATION

Some applications may require other input ranges. The LTC1412 differential inputs and reference circuitry can accommodate other input ranges often with little or no additional circuitry. The following sections describe the reference and input circuitry and how they affect the input range.

Internal Reference

The LTC1412 has an on-chip, temperature compensated, curvature corrected, bandgap reference that is factory trimmed to 2.500V. It is connected internally to a reference amplifier and is available at V_{REF} (Pin 3), see Figure 4a. A 2k resistor is in series with the output so that it can be easily overdriven by an external reference or other circuitry, see Figure 4b. The reference amplifier gains the voltage at the V_{REF} pin by 1.625 to create the required internal reference voltage. This provides buffering between the V_{REF} pin and the high speed capacitive DAC. The

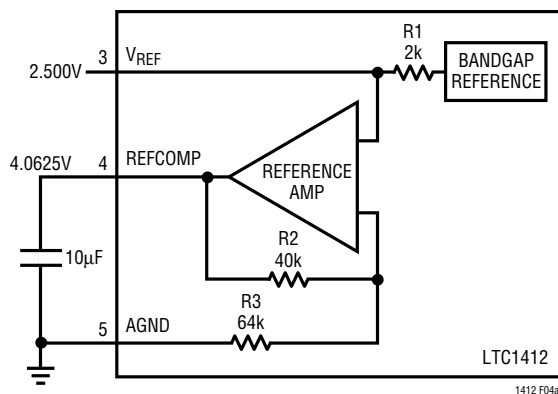


Figure 4a. LTC1412 Reference Circuit

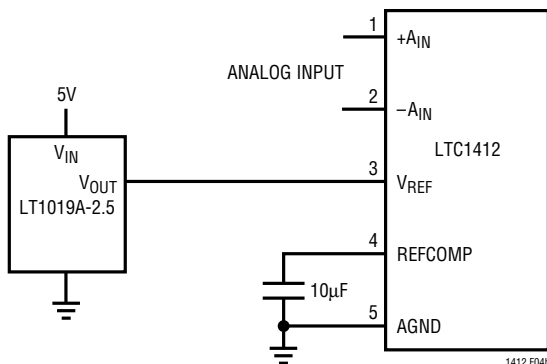


Figure 4b. Using the LT1019-2.5 as an External Reference

reference amplifier compensation pin, REFCOMP (Pin 4) must be bypassed with a capacitor to ground. The reference amplifier is stable with capacitors of 1µF or greater. For the best noise performance, a 10µF ceramic or 10µF tantalum in parallel with a 0.1µF ceramic is recommended.

The V_{REF} pin can be driven with a DAC or other means shown in Figure 5. This is useful in applications where the peak input signal amplitude may vary. The input span of the ADC can then be adjusted to match the peak input signal, maximizing the signal-to-noise ratio. The filtering of the internal LTC1412 reference amplifier will limit the bandwidth and settling time of this circuit. A settling time of 5ms should be allowed for after a reference adjustment.

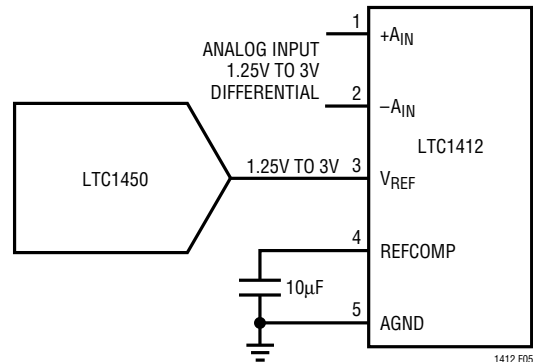


Figure 5. Driving V_{REF} with a DAC

Differential Inputs

The LTC1412 has a unique differential sample-and-hold circuit that allows rail-to-rail inputs. The ADC will always convert the difference of $+A_{IN} - (-A_{IN})$ independent of the common mode voltage. The common mode rejection holds up to extremely high frequencies, see Figure 6. The only requirement is that both inputs can not exceed the AV_{DD} or AV_{SS} power supply voltages. Integral nonlinearity errors (INL) and differential nonlinearity errors (DNL) are independent of the common mode voltage, however, the bipolar zero error (BZE) will vary. The change in BZE is typically less than 0.1% of the common mode voltage. Dynamic performance is also affected by the common mode voltage. THD will degrade as the inputs approach either power supply rail, from 80dB with a common mode of 0V to 75dB with a common mode of 2.5V or -2.5V.

APPLICATIONS INFORMATION

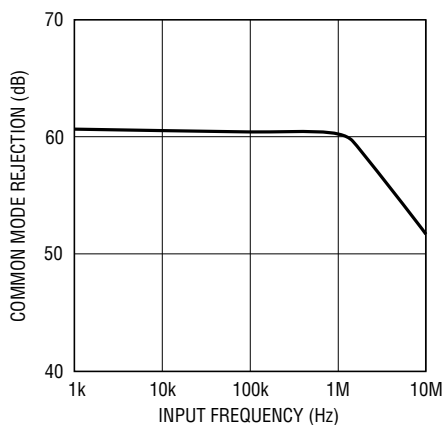


Figure 6. CMRR vs Input Frequency

Full-Scale and Offset Adjustment

Figure 7a shows the ideal input/output characteristics for the LTC1412. The code transitions occur midway between successive integer LSB values (i.e., $-FS + 0.5LSB$, $-FS + 1.5LSB$, $-FS + 2.5LSB$, ..., $FS - 2.5LSB$, $FS - 1.5LSB$). The output is two's complement binary with $1LSB = FS - (-FS)/4096 = 5V/4096 = 1.22mV$.

In applications where absolute accuracy is important, offset and full-scale errors can be adjusted to zero. Offset error must be adjusted before full-scale error. Figure 8 shows the extra components required for full-scale error adjustment. Zero offset is achieved by adjusting the offset applied to the $-A_{IN}$ input. For zero offset error apply

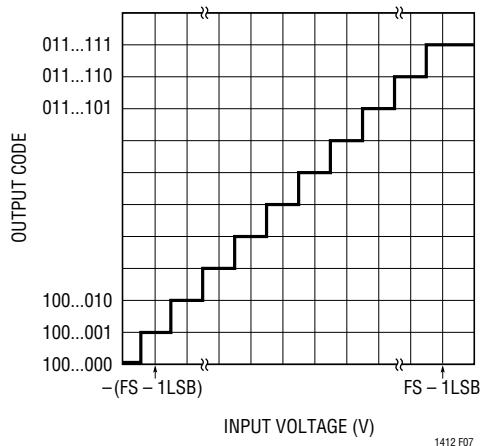


Figure 7. LTC1412 Transfer Characteristics

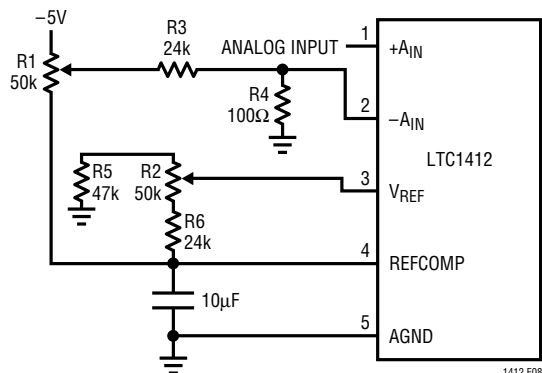


Figure 8. Offset and Full-Scale Adjust Circuit

$-0.61mV$ (i.e., $-0.5LSB$) at $+A_{IN}$ and adjust the offset at the $-A_{IN}$ input until the output code flickers between 0000 0000 and 1111 1111 1111. For full-scale adjustment, an input voltage of $2.49817V$ ($FS - 1.5LSBs$) is applied to $+A_{IN}$ and R2 is adjusted until the output code flickers between 0111 1111 1110 and 0111 1111 1111.

Board Layout and Bypassing

Wire wrap boards are not recommended for high resolution or high speed A/D converters. To obtain the best performance from the LTC1412, a printed circuit board with ground plane is required. Layout for the printed circuit board should ensure that digital and analog signal lines are separated as much as possible. In particular, care should be taken not to run any digital track alongside an analog signal track.

An analog ground plane separate from the logic system ground should be established under and around the ADC. Pin 5 (AGND), Pins 22 and 14 (DGND) and Pin 19 (OGND) and all other analog grounds should be connected to a single analog ground point. The REFCOMP bypass capacitor and the DV_{DD} bypass capacitor should also be connected to this analog ground plane, see Figure 9. No other digital grounds should be connected to this analog ground plane. Low impedance analog and digital power supply common returns are essential to low noise operation of the ADC and the foil width for these tracks should be as wide as possible. In applications where the ADC data outputs and control signals are connected to a continuously active microprocessor bus, it is possible to get

APPLICATIONS INFORMATION

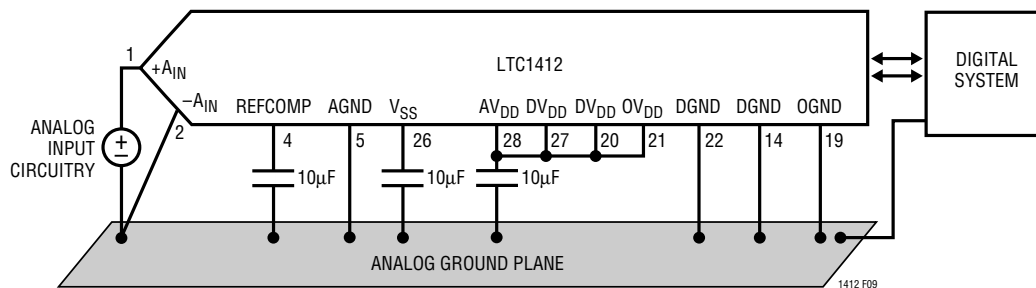


Figure 9. Power Supply Grounding Practice

errors in the conversion results. These errors are due to feedthrough from the microprocessor to the successive approximation comparator. The problem can be eliminated by forcing the microprocessor into a wait state during conversion or by using three-state buffers to isolate the ADC data bus. The traces connecting the pins and bypass capacitors must be kept short and should be made as wide as possible.

The LTC1412 has differential inputs to minimize noise coupling. Common mode noise on the $+A_{IN}$ and $-A_{IN}$ leads will be rejected by the input CMRR. The $-A_{IN}$ input can be used as a ground sense for the $+A_{IN}$ input; the LTC1412 will hold and convert the difference voltage between $+A_{IN}$ and $-A_{IN}$. The leads to $+A_{IN}$ (Pin 1) and $-A_{IN}$ (Pin 2) should be kept as short as possible. In applications where this is not possible, the $+A_{IN}$ and $-A_{IN}$ traces should be run side by side to equalize coupling.

Supply Bypassing

High quality, low series resistance ceramic, $10\mu\text{F}$ bypass capacitors should be used at the V_{DD} and REFCOMP pins. Surface mount ceramic capacitors such as Murata GRM235Y5V106Z016 provide excellent bypassing in a small board space. Alternatively $10\mu\text{F}$ tantalum capacitors in parallel with $0.1\mu\text{F}$ ceramic capacitors can be used. Bypass capacitors must be located as close to the pins as possible. The traces connecting the pins and the bypass capacitors must be kept short and should be made as wide as possible.

Digital Interface

The A/D converter has a simple digital interface with two control inputs, $\overline{\text{CS}}$ and $\overline{\text{CONVST}}$. A low logic level applied to the $\overline{\text{CS}}$ input selects the device by activating the output bus and allowing the $\overline{\text{CONVST}}$ input to be seen by the ADC. $\overline{\text{CONVST}}$ is used to initiate a conversion.

Internal Clock

The internal clock is factory trimmed to achieve a typical conversion time of 240ns and a maximum conversion time over the full operating temperature range of 283ns. No external adjustments are required. The guaranteed maximum acquisition time is 50ns. In addition, a throughput time of 333ns and a minimum sampling rate of 3MSPS is guaranteed.

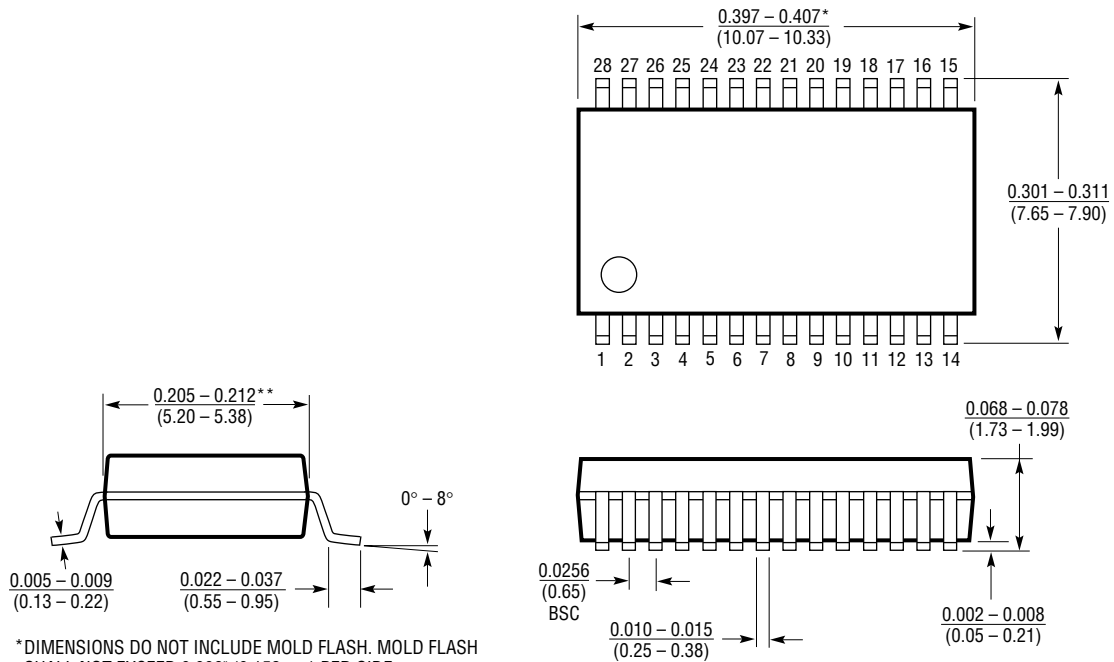
Timing and Control

The conversion start is controlled by the $\overline{\text{CONVST}}$ and $\overline{\text{CS}}$ digital inputs. The falling edge transition of $\overline{\text{CONVST}}$ will start a conversion once the ADC has been selected. Once initiated, it cannot be restarted until the conversion is complete. Converter status is indicated by the $\overline{\text{BUSY}}$ output. $\overline{\text{BUSY}}$ is low during a conversion.

The output data is updated at the end of the conversion as $\overline{\text{BUSY}}$ rises. Output data is not valid on the rising edge of $\overline{\text{BUSY}}$. Valid data can be latched with the falling edge of $\overline{\text{BUSY}}$ or with the rising edge of $\overline{\text{CONVST}}$. In either case the data latched will be for the previous conversion.

PACKAGE DESCRIPTION Dimensions in inches (millimeters) unless otherwise noted.

G Package
28-Lead Plastic SSOP (0.209)
 (LTC DWG # 05-08-1640)



*DIMENSIONS DO NOT INCLUDE MOLD FLASH. MOLD FLASH SHALL NOT EXCEED 0.006" (0.152mm) PER SIDE
 **DIMENSIONS DO NOT INCLUDE INTERLEAD FLASH. INTERLEAD FLASH SHALL NOT EXCEED 0.010" (0.254mm) PER SIDE

G28 SSOP 0694

RELATED PARTS

| PART NUMBER | RESOLUTION | SPEED | COMMENTS |
|---------------|------------|----------|---|
| 16-Bit | | | |
| LTC1604 | 16 | 333ksps | ±2.5V Input Range, ±5V Supply |
| LTC1605 | 16 | 100ksps | ±10V Input Range, Single 5V Supply |
| 14-Bit | | | |
| LTC1419 | 14 | 800ksps | 150mW, 81.5dB SINAD and 95dB SFDR |
| LTC1416 | 14 | 400ksps | 75mW, Low Power with Excellent AC Specs |
| LTC1418 | 14 | 200ksps | 15mW, Single 5V, Serial/Parallel I/O |
| 12-Bit | | | |
| LTC1410 | 12 | 1.25Msps | 150mW, 71.5dB SINAD and 84dB THD |
| LTC1415 | 12 | 1.25Msps | 55mW, Single 5V Supply |
| LTC1409 | 12 | 800ksps | 80mW, 71.5dB SINAD and 84dB THD |
| LTC1279 | 12 | 600ksps | 60mW, Single 5V or ±5V Supply |
| LTC1404 | 12 | 600ksps | High Speed Serial I/O in SO-8 Package |
| LTC1278-5 | 12 | 500ksps | 75mW, Single 5V or ±5V Supply |
| LTC1278-4 | 12 | 400ksps | 75mW, Single 5V or ±5V Supply |
| LTC1400 | 12 | 400ksps | High Speed Serial I/O in SO-8 Package |