

AN2458SH

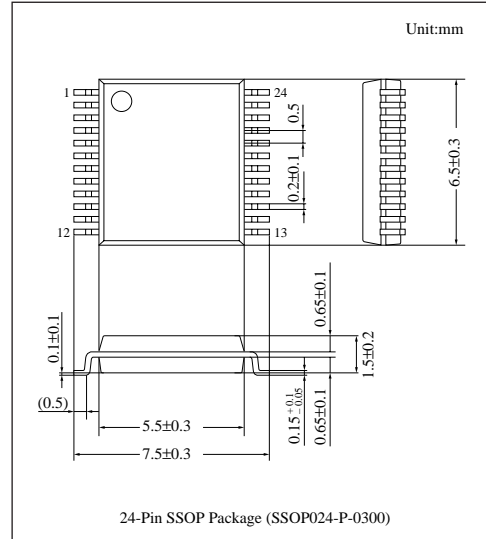
Color Encoder IC (NTSC/PAL) for CCD Video Camera

■ Overview

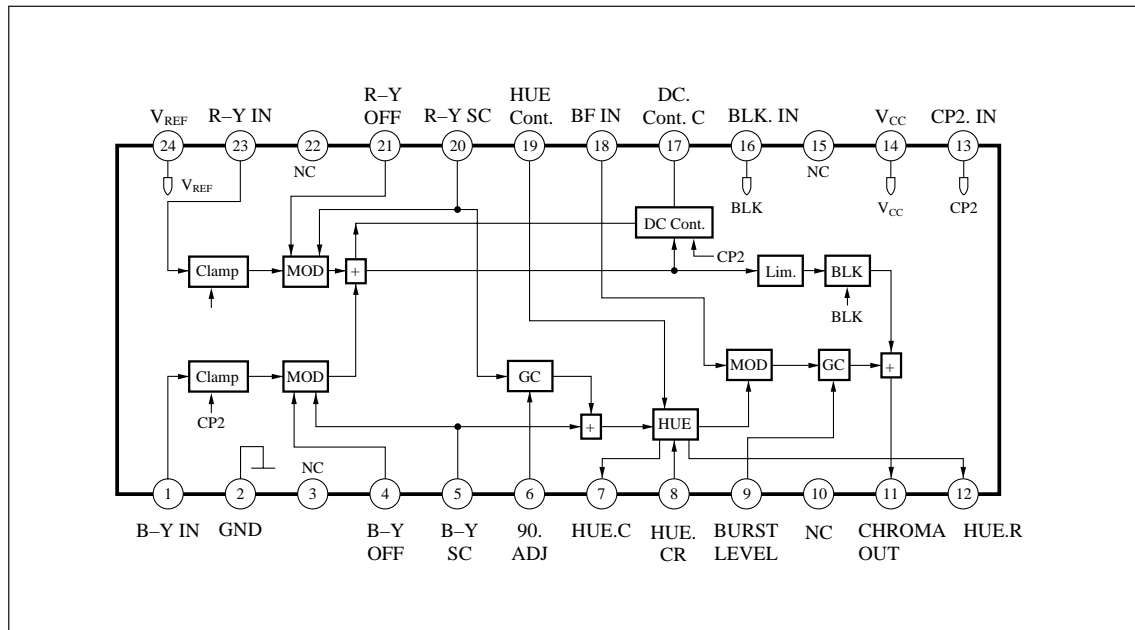
The AN2458SH is a color encoder IC for NTSC/PAL-compatible CCD video camera. It outputs chroma signal after modulation of inputted R-Y and B-Y color difference signals with subcarrier signals.

■ Features

- Compatible with NTSC and PAL
- Carrier leak adjustment available
- Built-in blanking circuit
- Color phase adjustment available
- Improved temperature characteristics of color phase shift (within $\pm 5^{\circ}\text{C}$)



■ Block Diagrams



■ Absolute Maximum Ratings

Parameter	Symbol	Rating	Unit
Supply voltage	V_{CC}	5.5	V
Supply current	I_{CC}	25	mA
Power dissipation	P_D	120	mW
Operating ambient temperature ^{Note 1)}	T_{opr}	-20 to +75	°C
Storage temperature ^{Note 1)}	T_{sig}	-55 to +125	°C

Note 1) $T_a=25^{\circ}\text{C}$ except operating ambient temperature and storage temperature.

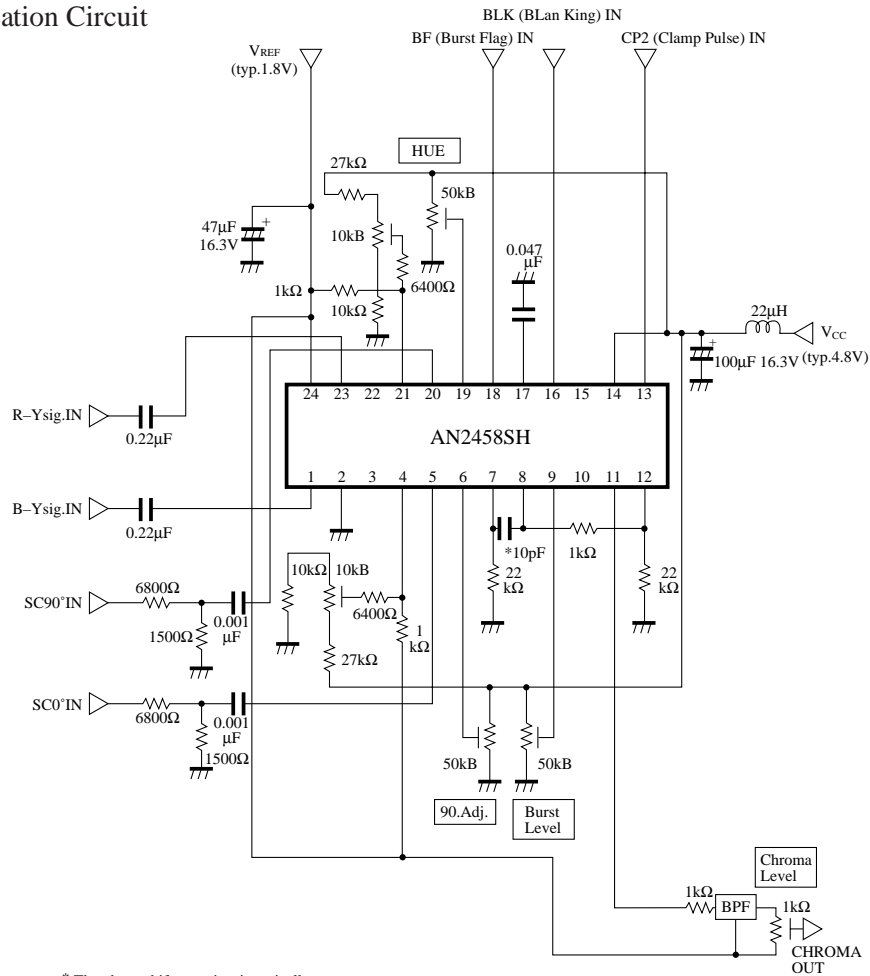
■ Recommended Operating Range ($T_a=25^{\circ}\text{C}$)

Parameter	Symbol	Range
Operating supply voltage range	V_{CC}	4.6V to 5.0V

■ Electrical Characteristics ($T_a=25\pm 2^{\circ}\text{C}$)

Parameter	Symbol	Condition	min	typ	max	Unit
Supply current	I_{CC}	$V_{CC}=4.8\text{V}$, $V_{REF}=1.8\text{V}$	12.0	16.0	20.0	mA
CP2 threshold 1	$V_{TH (CP2-1)}$	$V_{CC}=4.8\text{V}$, $V_{REF}=1.8\text{V}$	1.5	1.8	2.1	V
CP2 threshold 2	$V_{TH (CP2-2)}$	$V_{CC}=4.8\text{V}$, $V_{REF}=1.8\text{V}$	2.0	2.4	2.8	V
BLK threshold	$V_{TH (BLK)}$	$V_{CC}=4.8\text{V}$, $V_{REF}=1.8\text{V}$	1.9	2.2	2.5	V
Terminal voltage Pin5	V_5	$V_{CC}=4.8\text{V}$, $V_{REF}=1.8\text{V}$ difference from V_{REF}	-100	0	100	mV
Terminal voltage Pin11	V_{11}	$V_{CC}=4.8\text{V}$, $V_{REF}=1.8\text{V}$	1.8	2.3	2.8	V
Terminal voltage Pin20	V_{20}	$V_{CC}=4.8\text{V}$, $V_{REF}=1.8\text{V}$ difference from V_{REF}	-100	0	100	mV
R-Y GAIN	G_{V1}	$V_{CC}=4.8\text{V}$, $V_{REF}=1.8\text{V}$ 250mV _{P-P} input	480	600	720	mV _{P-P}
B-Y GAIN	G_{V2}	$V_{CC}=4.8\text{V}$, $V_{REF}=1.8\text{V}$ 250mV _{P-P} input	-7.0	-5.5	-3.5	dB
CHROMA CLIP	G_{V3}	$V_{CC}=4.8\text{V}$, $V_{REF}=1.8\text{V}$ 600mV _{P-P} input	0.5	3.0	4.5	dB
BLK CONTROL	G_{V4}	$V_{CC}=4.8\text{V}$, $V_{REF}=1.8\text{V}$ 250mV _{P-P} input $BLK=3V_{OP}$	300	600	900	mV _{P-P}
BURST GC (1)	G_{V5}	$V_{CC}=4.8\text{V}$, $V_{REF}=1.8\text{V}$ $V_9=V_{REF}$	290	350	430	mV _{P-P}
BURST GC (2)	G_{V6}	$V_{CC}=4.8\text{V}$, $V_{REF}=1.8\text{V}$ $V_9=V_{REF}\pm 0.5\text{V}$	1.5	3.0	4.5	dB
BURST GC (3)	G_{V7}	$V_{CC}=4.8\text{V}$, $V_{REF}=1.8\text{V}$ $V_9=V_{REF}-0.5\text{V}$	-6.0	-4.5	-2.5	dB
BURST PHASE (1)	θ_1	$V_{CC}=4.8\text{V}$, $V_{REF}=1.8\text{V}$ $V_{19}=V_{REF}+0.5\text{V}$	-45	-30	-15	deg
BURST PHASE (2)	θ_2	$V_{CC}=4.8\text{V}$, $V_{REF}=1.8\text{V}$ $V_{19}=V_{REF}-0.5\text{V}$	0	15	30	deg

Application Circuit



* The phase-shift capacitor is typically 10 pF for both NTSC and PAL.

Pin Descriptions

Pin No.	Pin name	Pin No.	Pin name
1	Color difference (B-Y) input	13	Clamp pulse input
2	GND	14	V _{CC} (4.8V typ.)
3	N. C.	15	N. C.
4	Subcarrier (0°) OFF	16	Blanking pulse input
5	Subcarrier(0°) input	17	DC playback capacitor
6	90° adjustment	18	Burst flag input
7	Phase-shift capacitor	19	Phase adjustment
8	Phase-shift capacitor	20	Subcarrier (90°/270°) input
9	Burst amplitude adjustment	21	Subcarrier (90°/270°) OFF
10	N. C.	22	N. C.
11	Chroma plus burst output	23	Color difference (R-Y) input
12	Phase-shift resistors	24	V _{REF} (1.8V typ.)

Request for your special attention and precautions in using the technical information and semiconductors described in this material

- (1) An export permit needs to be obtained from the competent authorities of the Japanese Government if any of the products or technologies described in this material and controlled under the "Foreign Exchange and Foreign Trade Law" is to be exported or taken out of Japan.
- (2) The technical information described in this material is limited to showing representative characteristics and applied circuit examples of the products. It does not constitute the warranting of industrial property, the granting of relative rights, or the granting of any license.
- (3) The products described in this material are intended to be used for standard applications or general electronic equipment (such as office equipment, communications equipment, measuring instruments and household appliances).
Consult our sales staff in advance for information on the following applications:
 - Special applications (such as for airplanes, aerospace, automobiles, traffic control equipment, combustion equipment, life support systems and safety devices) in which exceptional quality and reliability are required, or if the failure or malfunction of the products may directly jeopardize life or harm the human body.
 - Any applications other than the standard applications intended.
- (4) The products and product specifications described in this material are subject to change without notice for reasons of modification and/or improvement. At the final stage of your design, purchasing, or use of the products, therefore, ask for the most up-to-date Product Standards in advance to make sure that the latest specifications satisfy your requirements.
- (5) When designing your equipment, comply with the guaranteed values, in particular those of maximum rating, the range of operating power supply voltage and heat radiation characteristics. Otherwise, we will not be liable for any defect which may arise later in your equipment.
Even when the products are used within the guaranteed values, redundant design is recommended, so that such equipment may not violate relevant laws or regulations because of the function of our products.
- (6) When using products for which dry packing is required, observe the conditions (including shelf life and after-unpacking standby time) agreed upon when specification sheets are individually exchanged.
- (7) No part of this material may be reprinted or reproduced by any means without written permission from our company.

Please read the following notes before using the datasheets

- A. These materials are intended as a reference to assist customers with the selection of Panasonic semiconductor products best suited to their applications.
Due to modification or other reasons, any information contained in this material, such as available product types, technical data, and so on, is subject to change without notice.
Customers are advised to contact our semiconductor sales office and obtain the latest information before starting precise technical research and/or purchasing activities.
- B. Panasonic is endeavoring to continually improve the quality and reliability of these materials but there is always the possibility that further rectifications will be required in the future. Therefore, Panasonic will not assume any liability for any damages arising from any errors etc. that may appear in this material.
- C. These materials are solely intended for a customer's individual use.
Therefore, without the prior written approval of Panasonic, any other use such as reproducing, selling, or distributing this material to a third party, via the Internet or in any other way, is prohibited.