

3-1/2 Digit Analog-to-Digital Converters

FEATURES

- Accuracy $\pm 0.05\%$ of Reading ± 1 Count
- Two Voltage Ranges 1.999V and 199.9 mV
- Up to 25 Conversions Per Second
- $Z_{IN} > 1000M$ Ohms
- Single Positive Voltage Reference
- Auto-Polarity and Auto-Zero
- Overrange and Underrange Signals Available
- Operates in Auto-Ranging Circuits
- Uses On-Chip System Clock or External Clock
- Wide Supply Range e.g., $\pm 4.5V$ to $\pm 8V$
- Available in 24-Pin DIP, 24-Pin CerDIP, 28-Pin SOIC and 28-Pin PLCC

APPLICATIONS

- Portable Instruments
- Digital Voltmeters
- Digital Panel Meters
- Digital Scales
- Digital Thermometers
- Remote A/D Sensing Systems
- MPU Systems
- See Application Notes 19 and 21

GENERAL DESCRIPTION

The TC14433 is a low power, high-performance, monolithic CMOS 3-1/2 digit A/D converter. The TC14433 combines both analog and digital circuits on a single IC, thus

minimizing the number of external components. This dual-slope A/D converter provides automatic polarity and zero correction with the addition of two external resistors and two capacitors. The full-scale voltage range of this ratiometric IC extends from 199.9 millivolts to 1.999 volts. The TC14433 can operate over a wide range of power supply voltages, including batteries and standard 5-volt supplies.

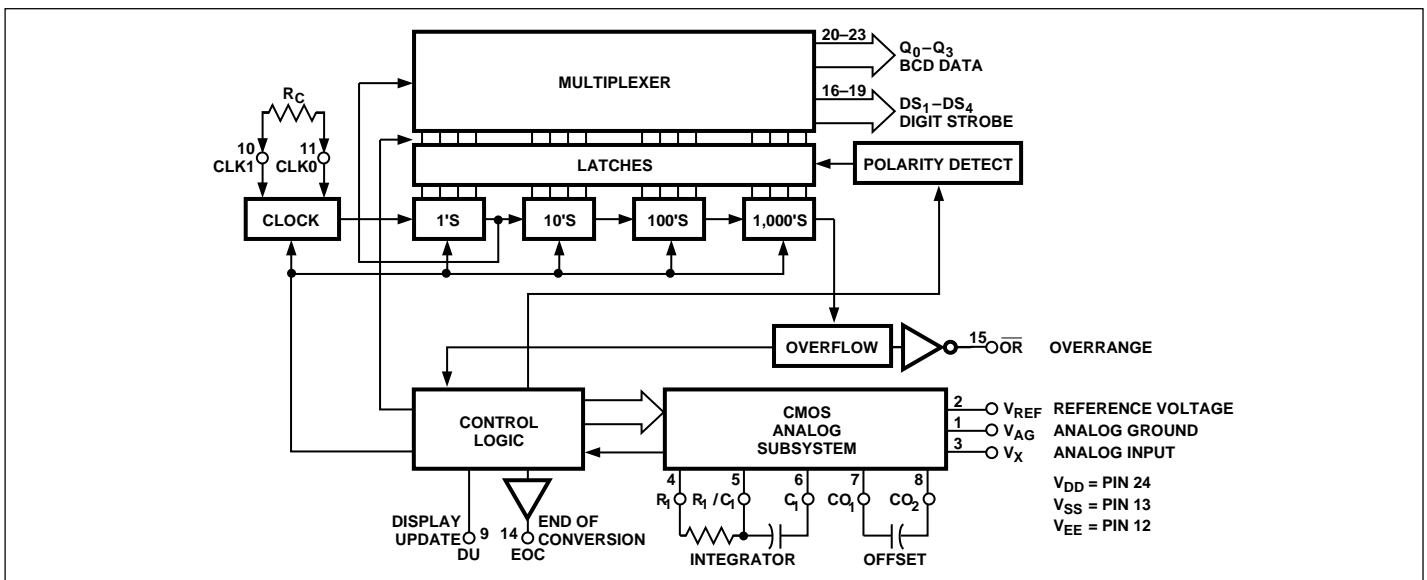
The TC14433 will interface with the TC7211A LCD display driver.

The TC14433A features improved performance over the industry standard TC14433. Rollover, which is the measurement of identical positive and negative signals, is guaranteed to have the same reading within one count for the TC14433A. Power consumption of the TC14433A is typically 4 mW, approximately one-half that of the industry standard TC14433.

ORDERING INFORMATION

Part No.	Package	Temperature Range
TC14433AEJG	24-Pin CerDIP	-40°C to +85°C
TC14433AELI	28-Pin PLCC	-40°C to +85°C
TC14433AEPG	24-Pin Plastic DIP	-40°C to +85°C
TC14433COG	24-Pin SOIC	0°C to +70°C
TC14433EJG	24-Pin CerDIP	-40°C to +85°C
TC14433ELI	28-Pin PLCC	-40°C to +85°C
TC14433EPG	24-Pin Plastic DIP	-40°C to +85°C

FUNCTIONAL BLOCK DIAGRAM



3-1/2 Digit Analog-to-Digital Converters

TC14433 TC14433A

ABSOLUTE MAXIMUM RATINGS*

Supply Voltage ($V_{DD} - V_{EE}$)	- 0.5V to +18V
Voltage on Any Pin, Reference to V_{EE}	- 0.5V to ($V_{DD} + 0.5$)
DC Current, Any Pin	± 10 mA
Operating Temperature Range	- 40°C to +85°C
Power Dissipation ($T_A \leq 70^\circ\text{C}$)	
Plastic PLCC	1.0W
Plastic DIP	940mW

SOIC	940mW
CerDIP	1.45W
Storage Temperature Range	- 65°C to +160°C
Lead Temperature (Soldering, 10 sec)	+300°C

*This is a stress rating only and functional operation of the device at these or any other conditions above those indicated in the operation sections of the specifications is not implied. Exposure to absolute maximum rating conditions for extended periods may affect device reliability.

ELECTRICAL CHARACTERISTICS: $V_{DD} = +5\text{V}$, $V_{EE} = -5\text{V}$, $C_1 = 0.1\mu\text{F}$ (mylar), $C_0 = 0.1\mu\text{F}$, $R_C = 300\text{k}\Omega$, $R_1 = 470\text{k}\Omega$ @ $V_{REF} = 2\text{V}$, $R_1 = 27\text{k}\Omega$ @ $V_{REF} = 200\text{mV}$, unless otherwise specified.

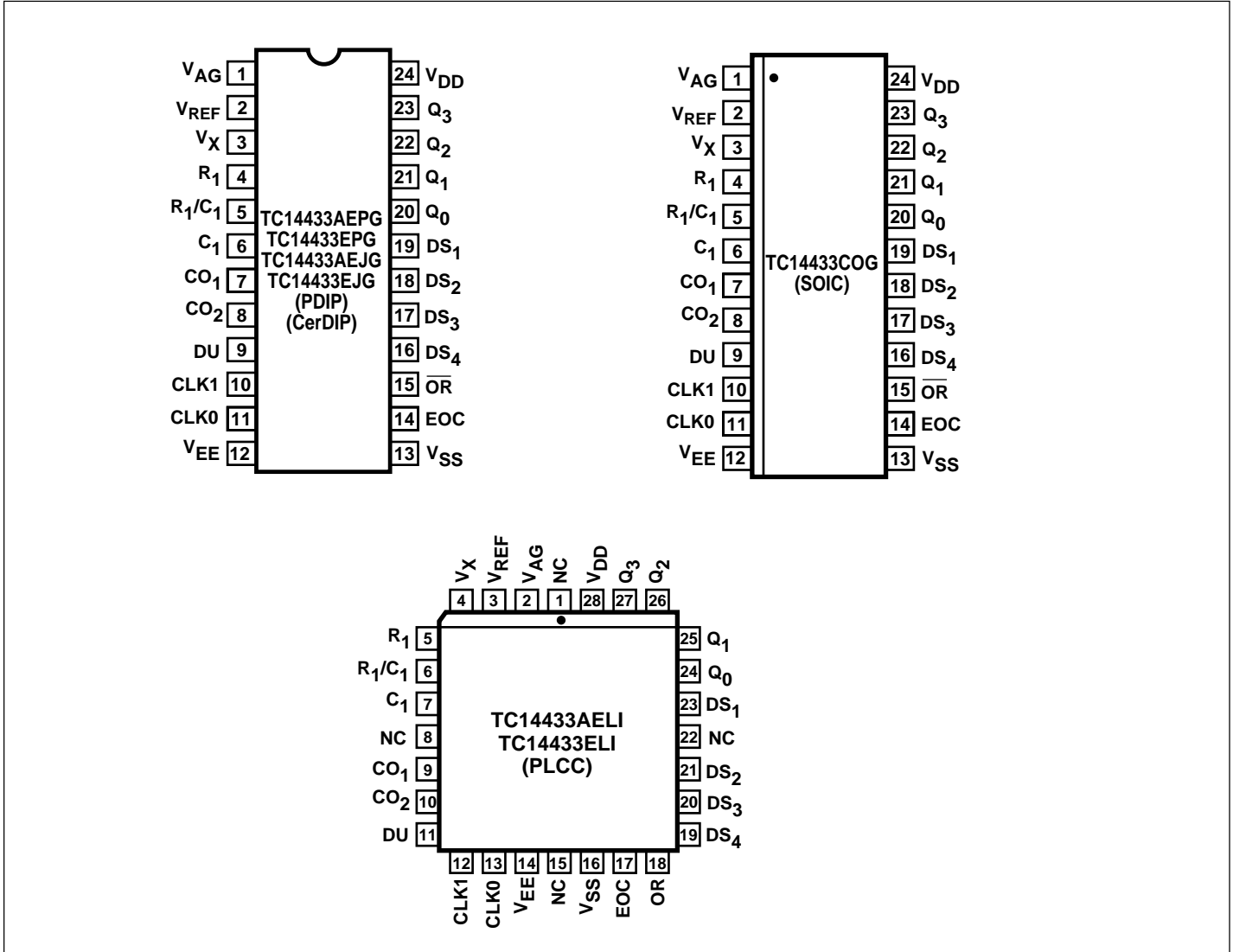
Symbol	Parameter	Test Conditions	$T_A = +25^\circ\text{C}$			$-40^\circ\text{C} < T_A < +85^\circ\text{C}$			Unit
			Min	Typ	Max	Min	Typ	Max	
Analog Input									
SYE	Rollover Error (Positive and Negative Full Scale Symmetry)	200mV Full Scale V_{IN} $-V_{IN} = +V_{IN}$	-1	—	+1	—	—	—	Counts
NL	Linearity Output Reading (Note 1)	$V_{REF} = 2\text{V}$ $V_{REF} = 200\text{mV}$	- 0.05 - 1 count	+0.05 —	+0.05 +1 count	—	—	—	%rdg
SOR	Stability Output Reading (Note 2)	$V_X = 1.99\text{V}$, $V_{REF} = 2\text{V}$ $V_X = 199\text{mV}$, $V_{REF} = 200\text{mV}$	—	—	2 3	—	—	—	LSD
ZOR	Zero Output Reading	$V_X = 0\text{V}$, $V_{REF} = 2\text{V}$	—	0	0	—	—	—	LSD
I_{IN}	Bias Current: Analog Input Reference Input Analog Ground		—	± 20	± 100	—	—	—	pA
CMRR	Common-Mode Rejection	$V_X = 1.4\text{V}$, $V_{REF} = 2\text{V}$, $f_{OC} = 32\text{kHz}$	—	65	—	—	—	—	dB
Digital									
V_{OL}	Output Voltage Pins 14 to 23 (Note 3)	$V_{SS} = 0\text{V}$, "0" Level $V_{SS} = -5\text{V}$, "0" Level	—	0 - 5	0.05 -4.95	—	—	0.05 - 4.95	V
V_{OH}	Output Voltage Pins 14 to 23 (Note 3)	$V_{SS} = 0\text{V}$, "1" Level $V_{SS} = -5\text{V}$, "1" Level	4.95 4.95	5 5	— —	4.95 4.95	— —	— —	V
I_{OH}	Output Current Pins 14 to 23	$V_{SS} = 0\text{V}$, $V_{OH} = 4.6\text{V}$ Source $V_{SS} = -5\text{V}$, $V_{OH} = 5\text{V}$ Source	- 0.2 - 0.5	- 0.36 - 0.9	— —	- 0.14 - 0.35	— —	— —	mA
I_{OL}	Output Current Pins 14 to 23	$V_{SS} = 0\text{V}$, $V_{OL} = 0.4\text{V}$ Sink $V_{SS} = -5\text{V}$, $V_{OL} = -4.5\text{V}$ Sink	0.51 1.3	0.88 2.25	— —	0.36 0.9	— —	— —	mA
f_{CLK}	Clock Frequency	$R_C = 300\text{k}\Omega$	—	66	—	—	—	—	kHz
I_{DU}	Input Current – DU		—	± 0.00001	± 0.3	—	—	± 1	μA
Power									
I_Q	Quiescent Current	V_{DD} to V_{EE} , $I_{SS} = 0$, 14433A: $V_{DD} = 5$, $V_{EE} = -5$ $V_{DD} = 8$, $V_{EE} = -8$ V_{DD} to V_{EE} , $I_{SS} = 0$, 14433: $V_{DD} = 5$, $V_{EE} = -5$ $V_{DD} = 8$, $V_{EE} = -8$	— — — —	0.4 1.4 0.9 1.8	2 4 2 4	— — — —	— — — —	3.7 7.4 3.7 7.4	mA
PSRR	Supply Rejection	V_{DD} to V_{EE} , $I_{SS} = 0$, $V_{REF} = 2\text{V}$ $V_{DD} = 5$, $V_{EE} = -5$	—	0.5	—	—	—	—	mV/V

3-1/2 Digit Analog-to-Digital Converters

TC14433 TC14433A

- NOTES:**
1. Accuracy — The accuracy of the meter at full-scale is the accuracy of the setting of the reference voltage. Zero is recalculated during each conversion cycle. The meaningful specification is linearity. In other words, the deviation from correct reading for all inputs other than positive full-scale and zero is defined as the linearity specification.
 2. The LSD stability for 200mV scale is defined as the range that the LSD will occupy 95% of the time.
 3. Pin numbers refer to 24-pin DIP.

PIN CONFIGURATIONS



3-1/2 Digit Analog-to-Digital Converters

TC14433 TC14433A

PIN DESCRIPTIONS

Pin No. 24-Pin PDIP/CerDip	Pin No. 24-Pin SOIC	Pin No. 28-Pin PLCC	Symbol	Description
1	1	2	V_{AG}	This is the analog ground; it has a high input impedance — This pin determines the reference level for the unknown input voltage (V_X) and the reference voltage (V_{REF}).
2	2	3	V_{REF}	Reference voltage — Full-scale output is equal to the voltage applied to V_{REF} . Therefore, full-scale voltage of 1.999V requires 2V reference and 199.9 mV full-scale requires a 200 mV reference. V_{REF} functions as system reset also. When switched to V_{EE} , the system is reset to the beginning of the conversion cycle.
3	3	4	V_X	The unknown input voltage (V_X) is measured as a ratio of the reference voltage (V_{REF}) in a ratiometric A/D conversion.
4	4	5	R_1	These pins are for external components used for the integration function in the dual slope conversion. Typical values are 0.1 μ F (mylar) capacitor for C_1 .
5	5	6	R_1/C_1	$R_1 = 470$ kW (resistor) for 2V full-scale.
6	6	7	C_1	$R_1 = 27$ kW (resistor) for 200 mV full-scale. Clock frequency of 66 kHz gives 250 msec conversion time. See equation below for calculation of integrator component values.
7 8	7 8	9 10	CO_1 CO_2	These pins are used for connecting the offset correction capacitor. The recommended value is 0.1 μ F.
9	9	11	DU	Display update input pin — When DU is connected to the EOC output every conversion is displayed. New data will be strobed into the output latches during the conversion cycle if a positive edge is received on DU prior to the ramp-down cycle. When this pin is driven from an external source, the voltage should be referenced to V_{SS} .
10	10	12	CLK_1	Clock input pins — The TC14433 has its own oscillator system clock. Connecting a single resistor between CLK_1 and CLK_0 sets the clock frequency.
11	11	13	CLK_0	A crystal or OC circuit may be inserted in lieu of a resistor for improved CLK_1 , the clock input, can be driven from an external clock source, which need only have standard CMOS output drive. This pin is referenced to V_{EE} for external clock inputs. A 300 kW resistor yields a clock frequency of about 66 kHz. (See typical characteristic curves; see Figure 9 for alternate circuits.)
12	12	14	V_{EE}	Negative power current — Connection pin for the most negative supply. Please note the current for the output drive circuit is returned through V_{SS} . Typical supply current is 0.8 mA.
13	13	16	V_{SS}	Negative power supply for output circuitry — This pin sets the low voltage level for the output pins (BCD, Digit Selects, EOC, OR). When connected to analog ground, the output voltage is from analog ground to V_{DD} . If connected to V_{EE} , the output swing is from V_{EE} to V_{DD} . The recommended operating range for V_{SS} is between the $V_{DD} - 3$ volts and V_{EE} .
14	14	17	EOC	End of conversion output generates a pulse at the end of each conversion cycle. This generated pulse width is equal to one-half the period of the system clock.
15	15	18	OR	Overrange pin — Normally this pin is set high. When V_X exceeds V_{REF} the OR pin is low.

PIN DESCRIPTIONS (CONT.)

Pin No. 24-Pin PDIP/CerDip	Pin No. 24-Pin SOIC	Pin No. 28-Pin PLCC	Symbol	Description
16	16	19	DS ₄	Digit select pins — The digit select output goes high when the respective digit is selected. The MSD (1/2 digit) turns on immediately after an EOC pulse.
17	17	20	DS ₃	The remaining digits turn on in sequence from MSD to LSD.
18	18	21	DS ₂	To ensure that the BCD data has settled, an inter-digit blanking time of two clock periods is included.
19	19	23	DS ₁	Clock frequency divided by 80 equals multiplex rate. For example, a system clock of 60 kHz gives a multiplex rate of 0.8 kHz.
20	20	24	Q ₀	See Figure 12 for digit select timing diagram.
21	21	25	Q ₁	BCD data output pins — Multiplexed BCD outputs contain three full digits of information during digit select DS ₂ , DS ₃ , DS ₄ .
22	22	26	Q ₂	During DS ₁ , the 1/2 digit, overrange, underrange and polarity information is available.
23	23	28	Q ₃	Refer to truth table.
24	24	28	V _{DD}	Positive power supply — This is the most positive power supply pin.
		8, 15, 22	NC	Not Used.

CIRCUIT DESCRIPTION

The TC14433 CMOS IC becomes a modified dual-slope A/D with a minimum of external components. This IC has the customary CMOS digital logic circuitry, as well as CMOS analog circuitry. It provides the user with digital functions (such as counters, latches, multiplexers) and analog functions (such as operational amplifiers and comparators) on a single chip.

Features of this system include auto-zero, high input impedances and auto-polarity. Low power consumption and a wide range of power supply voltages are also advantages of this CMOS device. The system's auto-zero function compensates for the offset voltage of the internal amplifiers and comparators. In this "ratiometric system," the output reading is the ratio of the unknown voltage to the reference voltage, where a ratio of 1 is equal to the maximum count of 1999. It takes approximately 16,000 clock periods to complete one conversion cycle. Each conversion cycle may be divided into 6 segments. Figure 7 shows the conversion cycle in 6 segments for both positive and negative inputs.

Segment 1 — The offset capacitor (C₀), which compensates for the input offset voltages of the buffer and integrator amplifiers, is charged during this period. However, the integrator capacitor is shorted. This segment requires 4000 clock periods.

Segment 2 — During this segment, the integrator output decreases to the comparator threshold voltage. At this time, a number of counts equivalent to the input offset

voltage of the comparator is stored in the offset latches for later use in the auto-zero process. The time for this segment is variable and less than 800 clock periods.

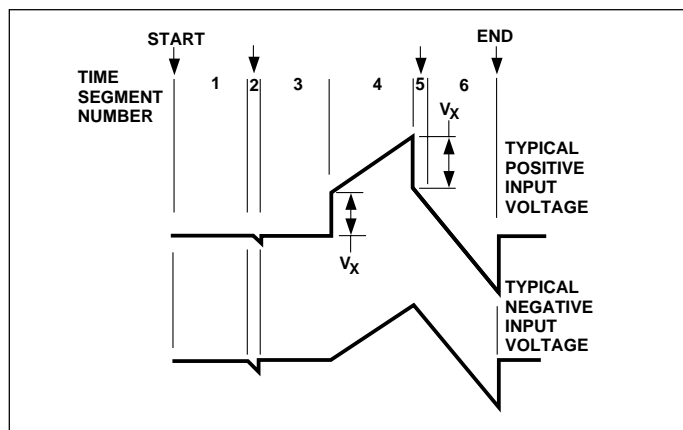


Figure 7. Integrator Waveforms at Pin 6

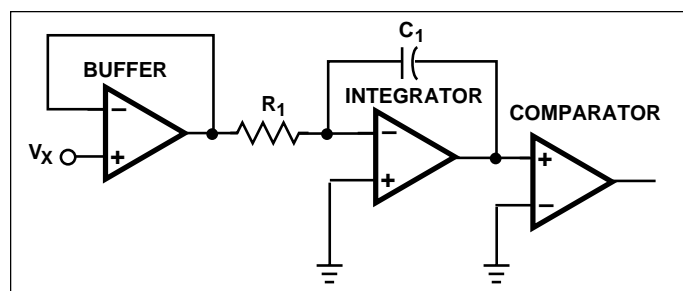


Figure 8. Equivalent Circuit Diagrams of the Analog Section During Segment 4 of the Timing Cycle

TC14433 TC14433A

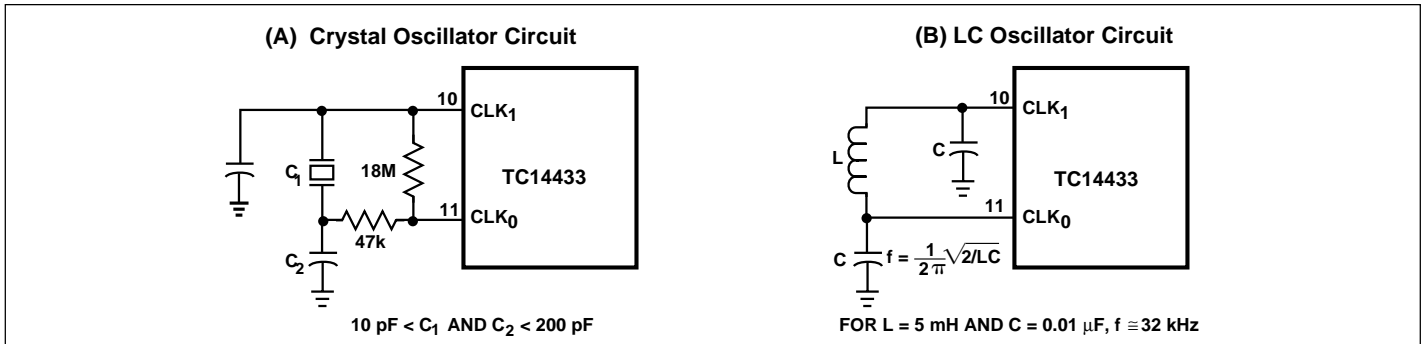


Figure 9. Alternate Oscillator Circuits

Segment 3 — This segment of the conversion cycle is the same as Segment 1.

Segment 4 — Segment 4 is an up-going ramp cycle with the unknown input voltage (V_x) as the input to the integrator. Figure 8 shows the equivalent configuration of the analog section of the TC14433. The actual configuration of the analog section is dependent upon the polarity of the input voltage during the previous conversion cycle.

Segment 5 — This segment is a down-going ramp

period with the reference voltage as the input to the integrator. Segment 5 of the conversion cycle has a time equal to the number of counts stored in the offset storage latches during Segment 2. As a result, the system zeros automatically.

Segment 6 — This is an extension of Segment 5. The time period for this portion is 4000 clock periods. The results of the A/D conversion cycle are determined in this portion of the conversion cycle.

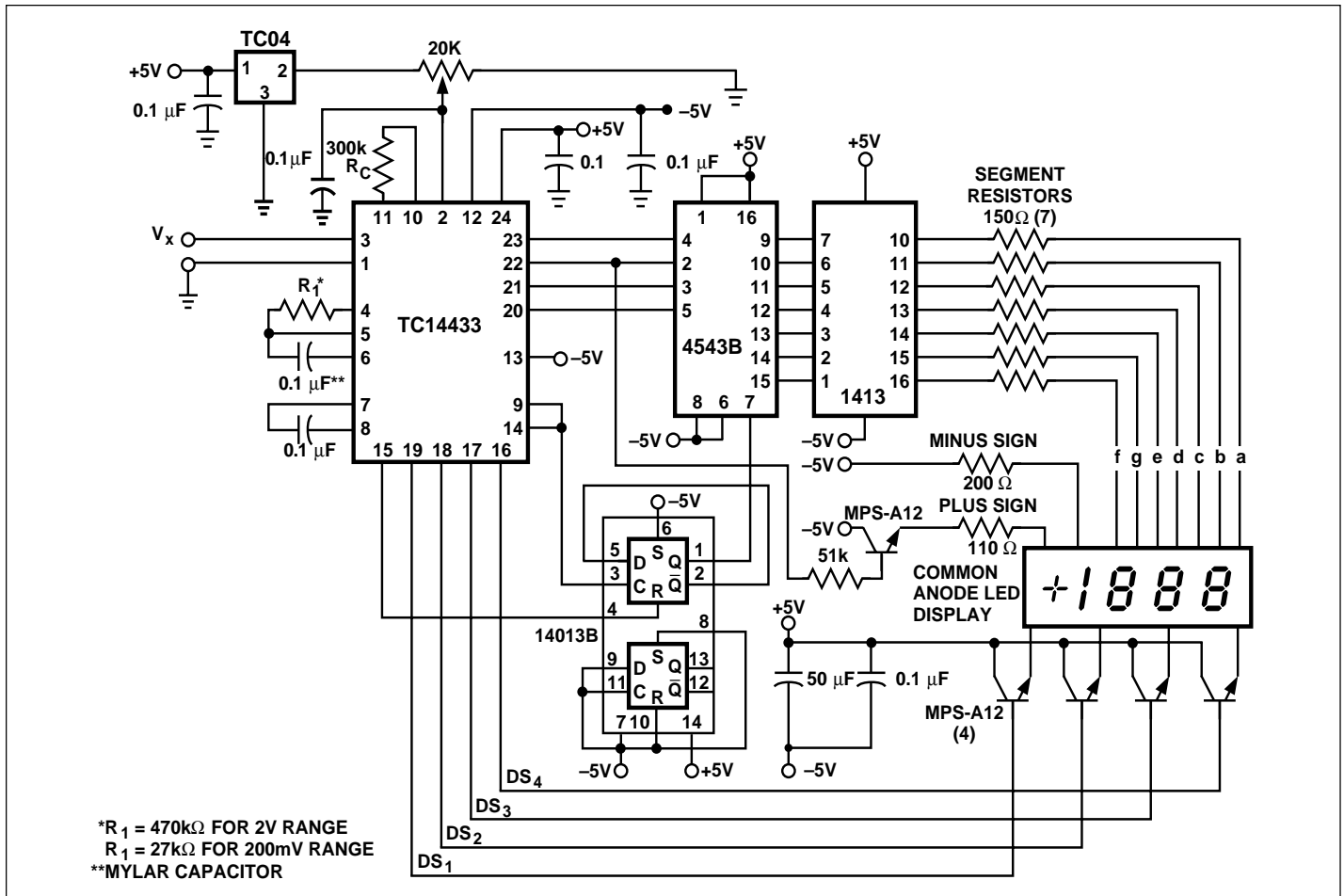


Figure 10. 3-1/2 Digit Voltmeter Common-Anode Displays, Flashing Overrange

3-1/2 Digit Analog-to-Digital Converters

TC14433
TC14433A

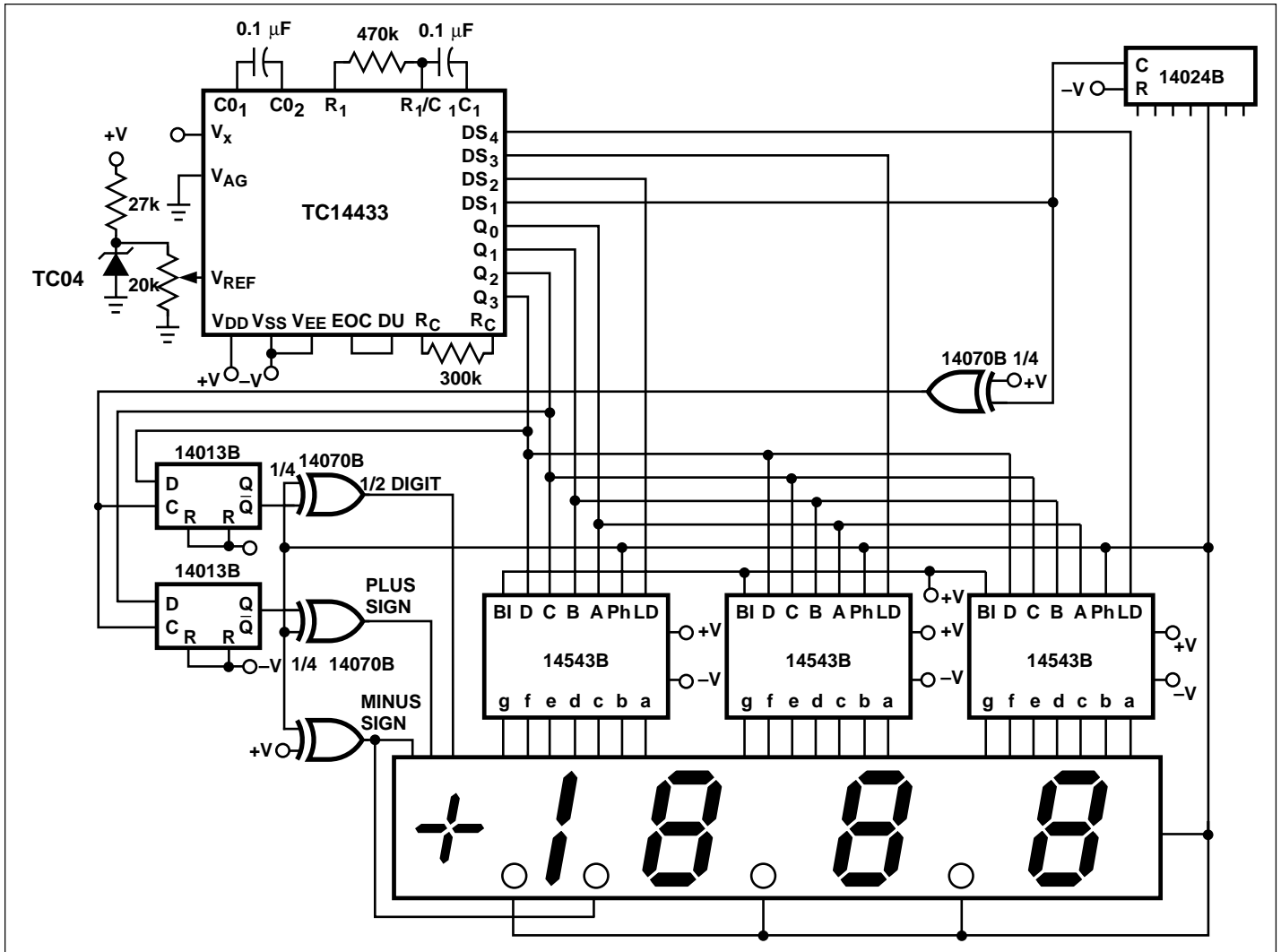


Figure 11. 3-1/2 Digit Voltmeter with LCD Display

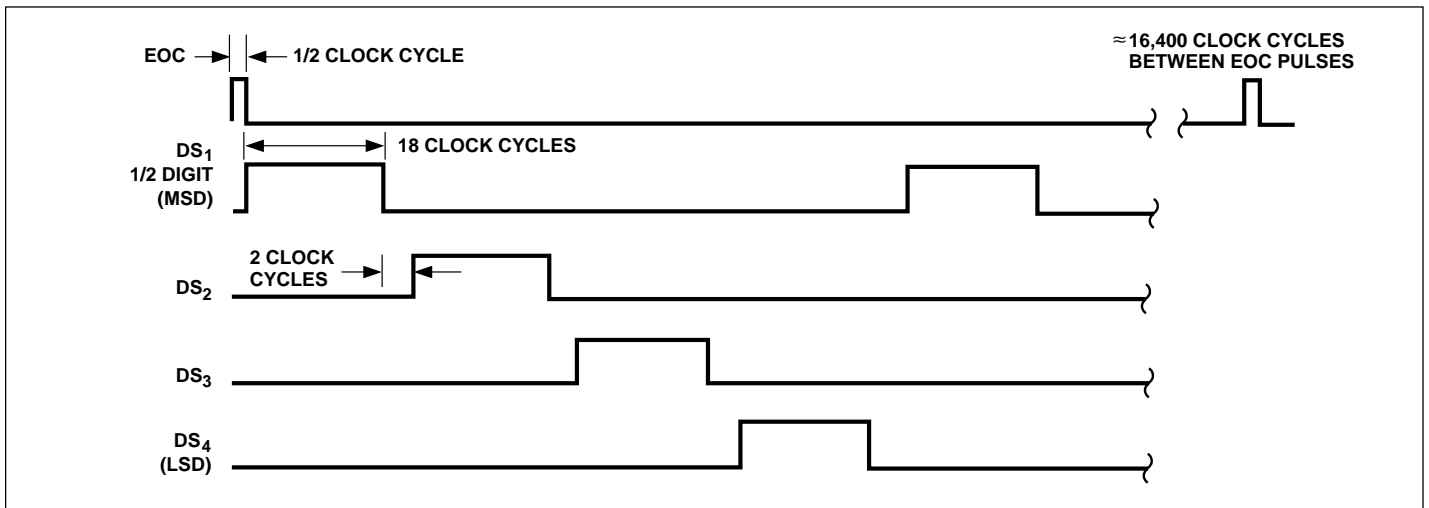


Figure 12. Digit Select Timing Diagram

TC14433 TC14433A

APPLICATIONS INFORMATION

Figure 10 is an example of a 3-1/2 digit voltmeter using the TC14433 with common-anode displays. This system requires a 2.5V reference. Full-scale may be adjusted to 1.999V or 199.9 mV. Input overrange is indicated by flashing a display. This display uses LEDs with common anode digit lines. Power supply for this system is shown as a dual $\pm 5V$ supply; however, the TC14433 will operate over a wide voltage range (see recommended operating conditions, page 2).

The circuit in Figure 11 shows a 3-1/2 digit LCD voltmeter. The 14024B provides the low frequency square wave signal drive to the LCD backplane. Dual power supplies are shown here; however, one supply may be used when V_{SS} is connected to V_{EE} . In this case, V_{AG} must be at least 2.8V above V_{EE} .

When only segments b and c of the decoder are connected to the 1/2 digit of the display, 4, 0, 7 and 3 appear as 1.

The overrange indication ($Q_3 = 0$ and $Q_0 = 1$) occurs when the count is greater than 1999; e.g., 1.999V for a reference of 2V. The underrange indication, useful for auto-ranging circuits, occurs when the count is less than 180; e.g., 0.180V for a reference of 2V.

CAUTION

If the most significant digit is connected to a display other than a "1" only, such as a full digit display, segments other than b and c must be disconnected. The BCD to 7-segment decoder must blank on BCD inputs 1010 to 1111.

Figure 14 is an example of a 3-1/2 digit LED voltmeter with a minimum of external components (only 11 additional components). In this circuit, the 14511B provides the segment drive and the 75492 or 1413 provides sink for digit current. Display is blanked during the overrange condition.

TRUTH TABLE

Coded Condition of MSD	Q ₃ Q ₂ Q ₁ Q ₀				BCD to 7-Segment Decoding
	Q ₃	Q ₂	Q ₁	Q ₀	
+0	1	1	1	0	Blank
-0	1	0	1	0	Blank
+0 UR	1	1	1	1	Blank
-0 UR	1	0	1	1	Blank
+1	0	1	0	0	4-1 } Hook up 0-1 } only 7-1 } segments 3-1 } b and c to MSD
-1	0	0	0	0	
+1 OR	0	1	1	1	
-0 OR	0	0	1	1	

NOTES: Q₃ — 1/2 digit, low for "1", high for "0"

Q₂ — Polarity: "1" = positive, "0" = negative

Q₀ — Out of range condition exists if Q₀ = 1. When used in conjunction with Q₃, the type of out of range condition is indicated; i.e., Q₃ = 0 \bar{A} OR or Q₃ = 1 \bar{A} UR.

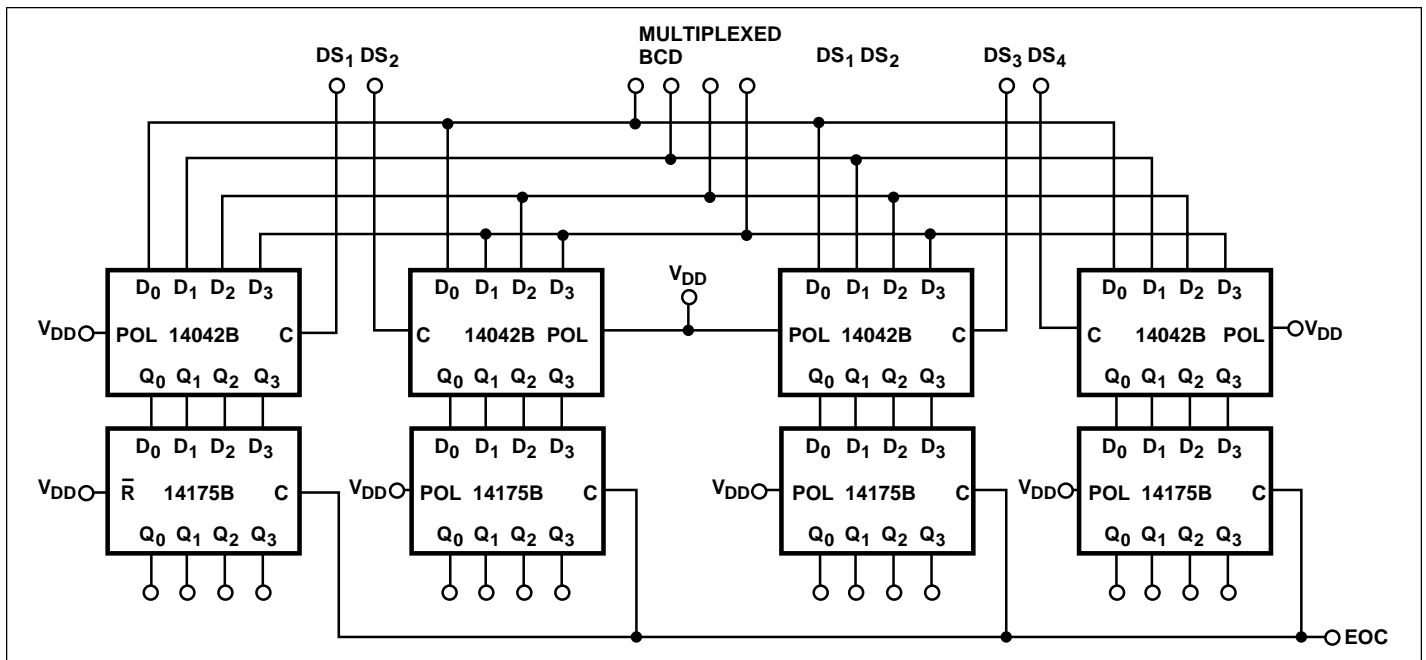


Figure 13. Demultiplexing for TC14433 BCD Data

3-1/2 Digit Analog-to-Digital Converters

TC14433
TC14433A

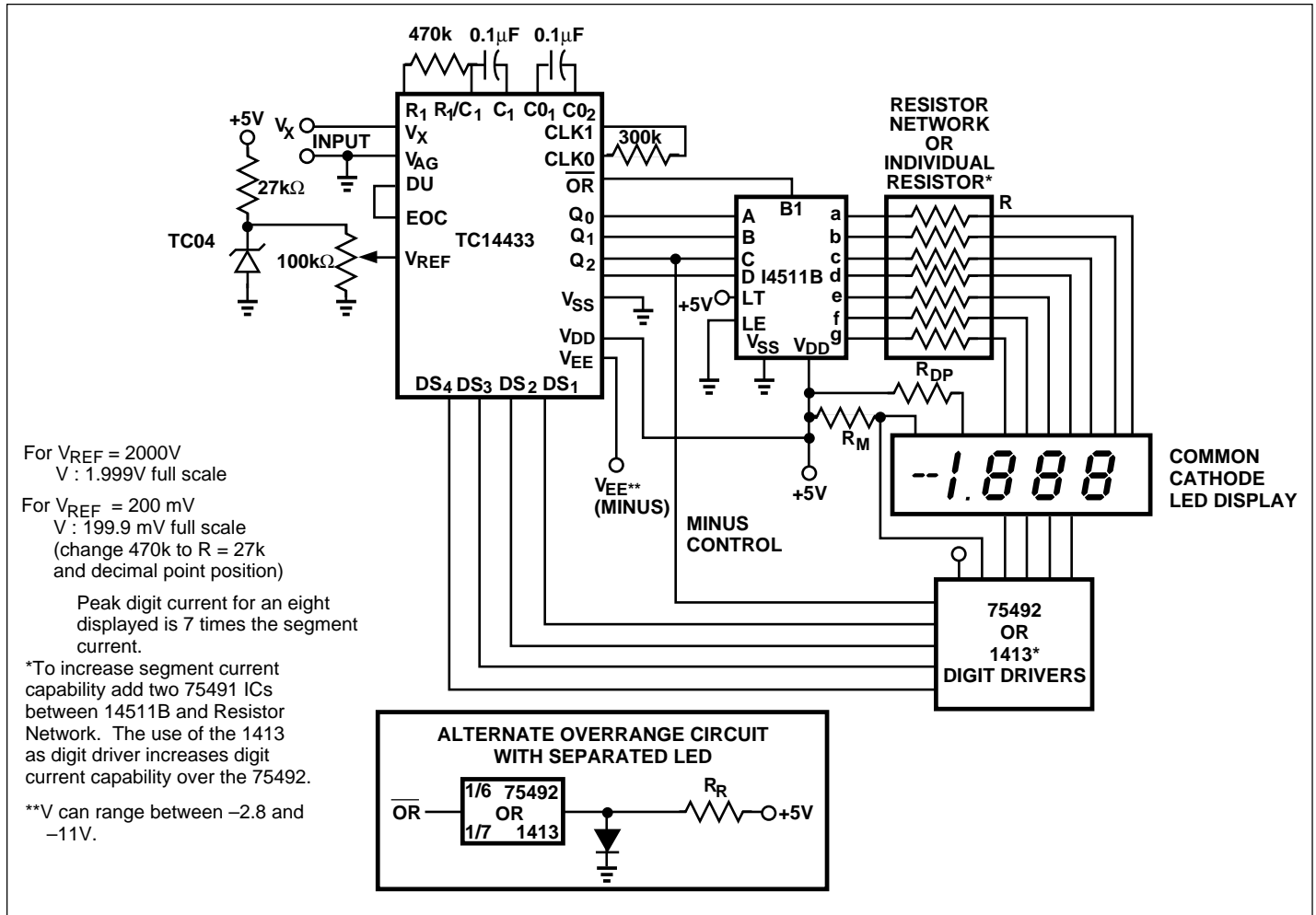


Figure 14. 3-1/2 Digit Voltmeter with Low Component Count Using Common Cathode Displays

TC14433 TC14433A

TYPICAL CHARACTERISTICS

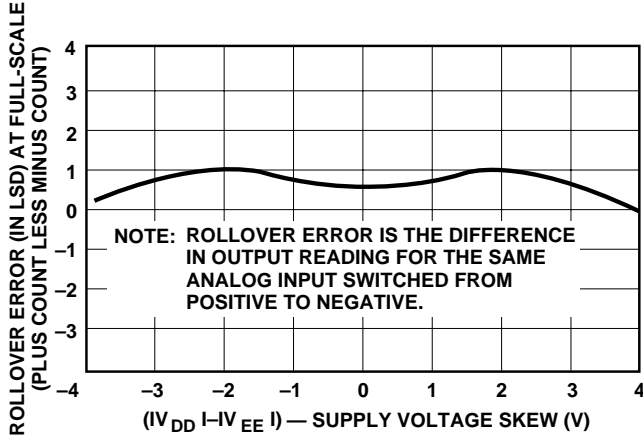


Figure 1. Typical Rollover Error vs Power Supply Skew

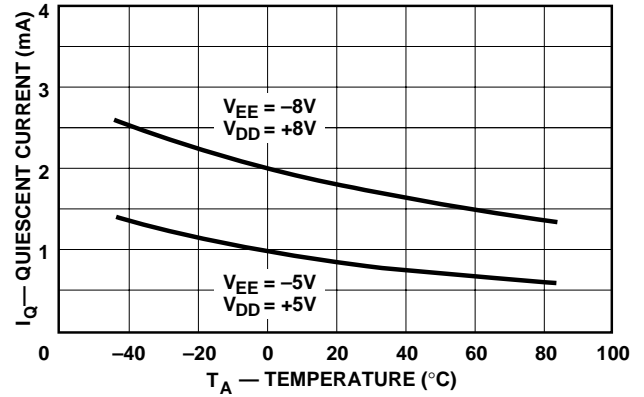


Figure 2. Typical Quiescent Power Supply Current vs Temp.

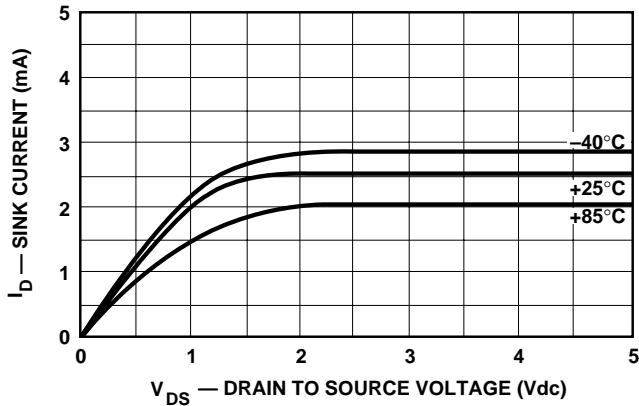


Figure 3. Typical N-Channel Sink Current at $V_{DD} - V_{SS} = 5$ Volts

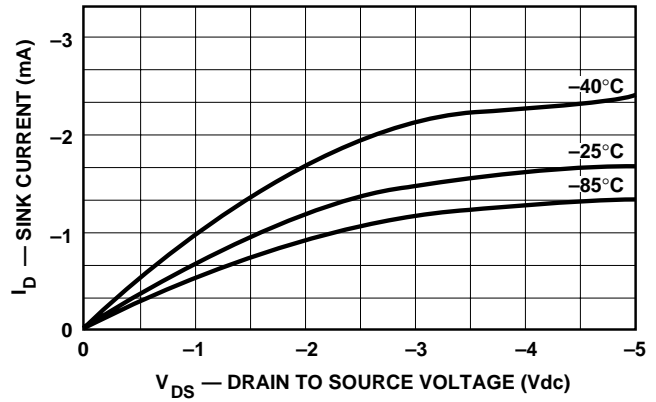


Figure 4. Typical P-Channel Source Current at $V_{DD} - V_{SS} = 5$ Volts

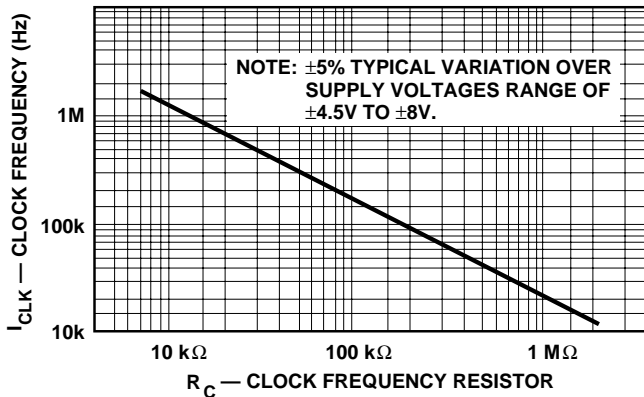


Figure 5. Typical Clock Frequency vs Resistor (R_C)

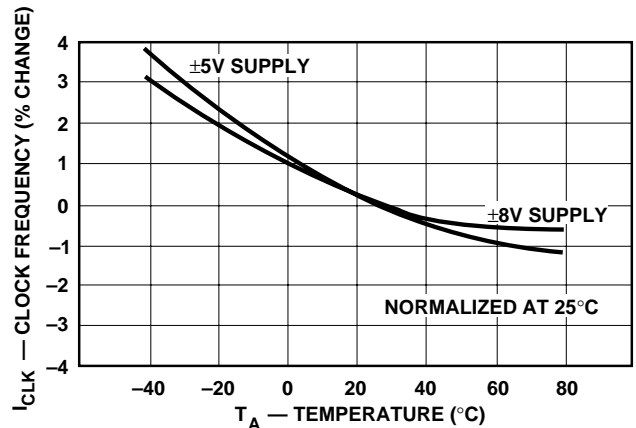


Figure 6. Typical % Change of Clock Frequency vs Temperature

$$\text{CONVERSION RATE} = \frac{\text{CLOCK FREQUENCY}}{16,400} \pm 1.5\%$$

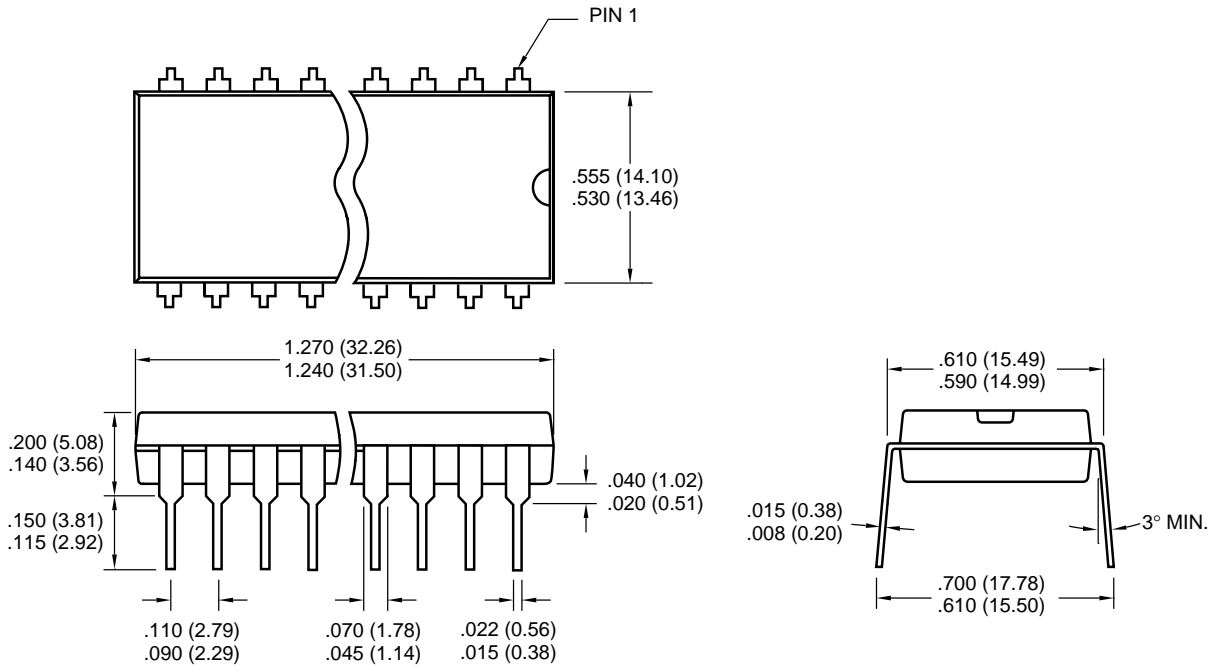
$$\text{MULTIPLEX RATE} = \frac{\text{CLOCK FREQUENCY}}{80}$$

3-1/2 Digit Analog-to-Digital Converters

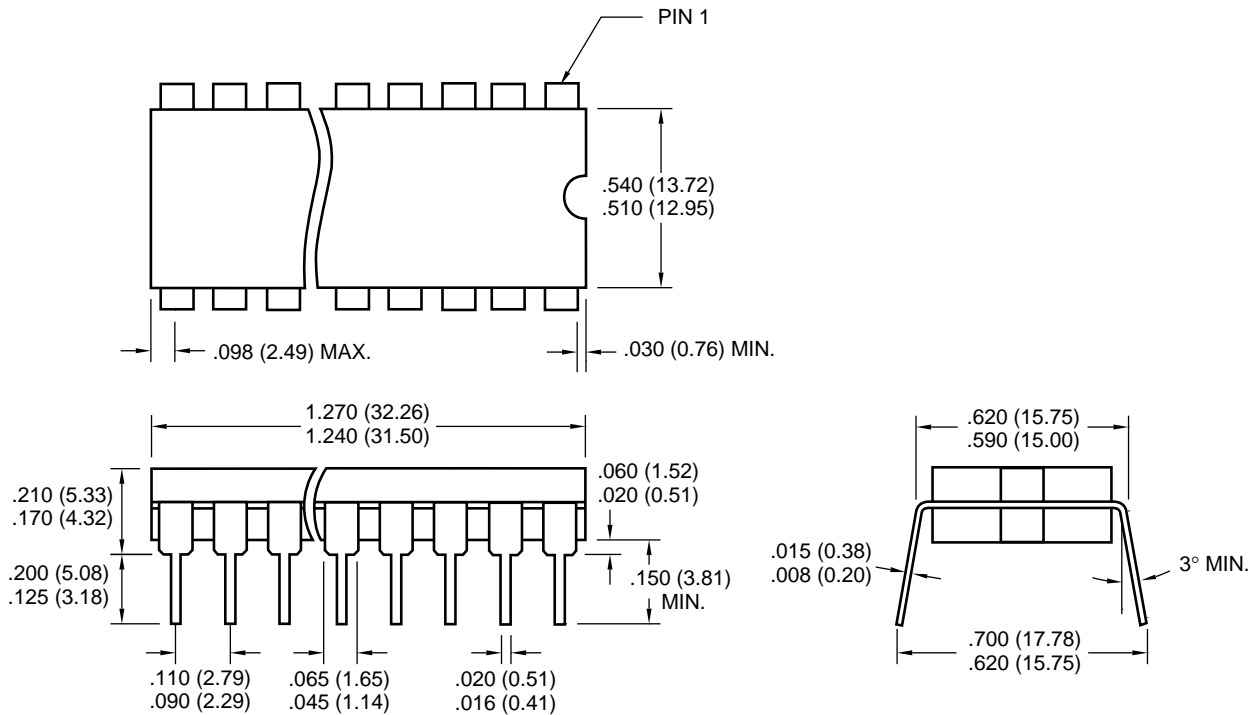
TC14433
TC14433A

PACKAGE DIMENSIONS

24-Pin PDIP (Wide)



24-Pin CDIP (Wide)

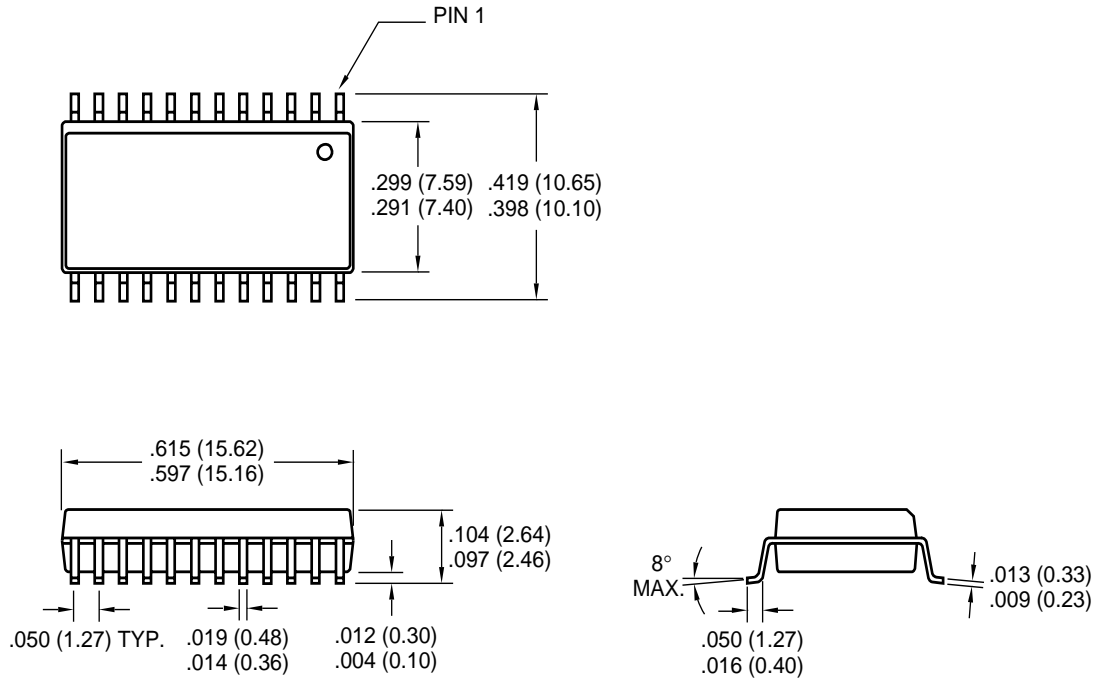


Dimensions: inches (mm)

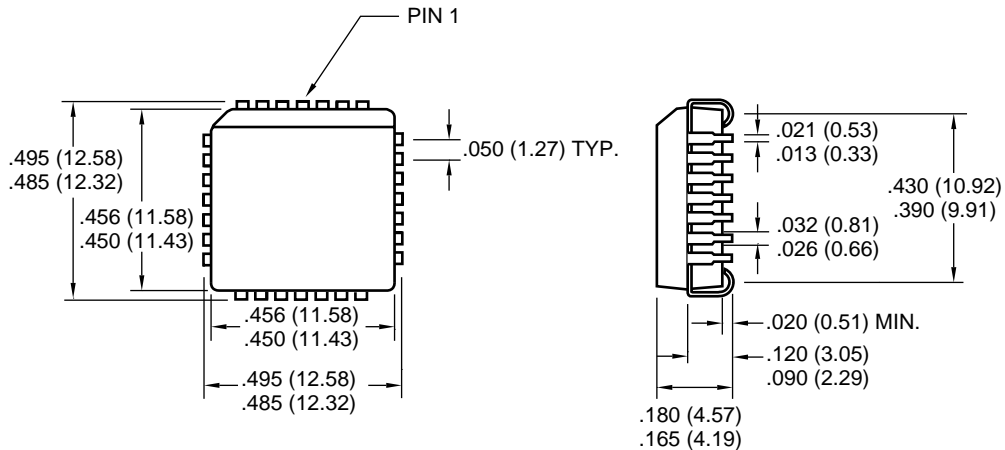
TC14433 TC14433A

PACKAGE DIMENSIONS (Cont.)

24-Pin SOIC (Wide)



28-Pin PLCC



Dimensions: inches (mm)



WORLDWIDE SALES AND SERVICE

AMERICAS

Corporate Office

2355 West Chandler Blvd.
Chandler, AZ 85224-6199
Tel: 480-792-7200 Fax: 480-792-7277
Technical Support: 480-792-7627
Web Address: <http://www.microchip.com>

Rocky Mountain

2355 West Chandler Blvd.
Chandler, AZ 85224-6199
Tel: 480-792-7966 Fax: 480-792-7456

Atlanta

500 Sugar Mill Road, Suite 200B
Atlanta, GA 30350
Tel: 770-640-0034 Fax: 770-640-0307

Austin

Analog Product Sales
8303 MoPac Expressway North
Suite A-201
Austin, TX 78759
Tel: 512-345-2030 Fax: 512-345-6085

Boston

2 Lan Drive, Suite 120
Westford, MA 01886
Tel: 978-692-3848 Fax: 978-692-3821

Boston

Analog Product Sales
Unit A-8-1 Millbrook Tarry Condominium
97 Lowell Road
Concord, MA 01742
Tel: 978-371-6400 Fax: 978-371-0050

Chicago

333 Pierce Road, Suite 180
Itasca, IL 60143
Tel: 630-285-0071 Fax: 630-285-0075

Dallas

4570 Westgrove Drive, Suite 160
Addison, TX 75001
Tel: 972-818-7423 Fax: 972-818-2924

Dayton

Two Prestige Place, Suite 130
Miamisburg, OH 45342
Tel: 937-291-1654 Fax: 937-291-9175

Detroit

Tri-Atria Office Building
32255 Northwestern Highway, Suite 190
Farmington Hills, MI 48334
Tel: 248-538-2250 Fax: 248-538-2260

Los Angeles

18201 Von Karman, Suite 1090
Irvine, CA 92612
Tel: 949-263-1888 Fax: 949-263-1338

Mountain View

Analog Product Sales
1300 Terra Bella Avenue
Mountain View, CA 94043-1836
Tel: 650-968-9241 Fax: 650-967-1590

New York

150 Motor Parkway, Suite 202
Hauppauge, NY 11788
Tel: 631-273-5305 Fax: 631-273-5335

San Jose

Microchip Technology Inc.
2107 North First Street, Suite 590
San Jose, CA 95131
Tel: 408-436-7950 Fax: 408-436-7955

Toronto

6285 Northam Drive, Suite 108
Mississauga, Ontario L4V 1X5, Canada
Tel: 905-673-0699 Fax: 905-673-6509

ASIA/PACIFIC

China - Beijing

Microchip Technology Beijing Office
Unit 915
New China Hong Kong Manhattan Bldg.
No. 6 Chaoyangmen Beidajie
Beijing, 100027, No. China
Tel: 86-10-85282100 Fax: 86-10-85282104

China - Shanghai

Microchip Technology Shanghai Office
Room 701, Bldg. B
Far East International Plaza
No. 317 Xian Xia Road
Shanghai, 200051
Tel: 86-21-6275-5700 Fax: 86-21-6275-5060

Hong Kong

Microchip Asia Pacific
RM 2101, Tower 2, Metroplaza
223 Hing Fong Road
Kwai Fong, N.T., Hong Kong
Tel: 852-2401-1200 Fax: 852-2401-3431

India

Microchip Technology Inc.
India Liaison Office
Divyasree Chambers
1 Floor, Wing A (A3/A4)
No. 11, OIShaughnessey Road
Bangalore, 560 025, India
Tel: 91-80-2290061 Fax: 91-80-2290062

Japan

Microchip Technology Intl. Inc.
Benex S-1 6F
3-18-20, Shinyokohama
Kohoku-Ku, Yokohama-shi
Kanagawa, 222-0033, Japan
Tel: 81-45-471-6166 Fax: 81-45-471-6122

Korea

Microchip Technology Korea
168-1, Youngbo Bldg. 3 Floor
Samsung-Dong, Kangnam-Ku
Seoul, Korea
Tel: 82-2-554-7200 Fax: 82-2-558-5934

ASIA/PACIFIC (continued)

Singapore

Microchip Technology Singapore Pte Ltd.
200 Middle Road
#07-02 Prime Centre
Singapore, 188980
Tel: 65-334-8870 Fax: 65-334-8850

Taiwan

Microchip Technology Taiwan
11F-3, No. 207
Tung Hua North Road
Taipei, 105, Taiwan
Tel: 886-2-2717-7175 Fax: 886-2-2545-0139

EUROPE

Australia

Microchip Technology Australia Pty Ltd
Suite 22, 41 Rawson Street
Epping 2121, NSW
Australia
Tel: 61-2-9868-6733 Fax: 61-2-9868-6755

Denmark

Microchip Technology Denmark ApS
Regus Business Centre
Lautrup høj 1-3
Ballerup DK-2750 Denmark
Tel: 45 4420 9895 Fax: 45 4420 9910

France

Arizona Microchip Technology SARL
Parc d'Activite du Moulin de Massy
43 Rue du Saule Trapu
Batiment A - 1er Etage
91300 Massy, France
Tel: 33-1-69-53-63-20 Fax: 33-1-69-30-90-79

Germany

Arizona Microchip Technology GmbH
Gustav-Heinemann Ring 125
D-81739 Munich, Germany
Tel: 49-89-627-144 0 Fax: 49-89-627-144-44

Germany

Analog Product Sales
Lochhamer Strasse 13
D-82152 Martinsried, Germany
Tel: 49-89-895650-0 Fax: 49-89-895650-22

Italy

Arizona Microchip Technology SRL
Centro Direzionale Colleoni
Palazzo Taurus 1 V. Le Colleoni 1
20041 Agrate Brianza
Milan, Italy
Tel: 39-039-65791-1 Fax: 39-039-6899883

United Kingdom

Arizona Microchip Technology Ltd.
505 Eskdale Road
Winnersh Triangle
Wokingham
Berkshire, England RG41 5TU
Tel: 44 118 921 5869 Fax: 44-118 921-5820

All rights reserved. © 2001 Microchip Technology Incorporated. Printed in the USA. 1/01  Printed on recycled paper.

01/09/01

Information contained in this publication regarding device applications and the like is intended through suggestion only and may be superseded by updates. It is your responsibility to ensure that your application meets with your specifications. No representation or warranty is given and no liability is assumed by Microchip Technology Incorporated with respect to the accuracy or use of such information, or infringement of patents or other intellectual property rights arising from such use or otherwise. Use of Microchip's products as critical components in life support systems is not authorized except with express written approval by Microchip. No licenses are conveyed, implicitly or otherwise, except as maybe explicitly expressed herein, under any intellectual property rights. The Microchip logo and name are registered trademarks of Microchip Technology Inc. in the U.S.A. and other countries. All rights reserved. All other trademarks mentioned herein are the property of their respective companies.