

UTC PC1366 LINEAR INTEGRATED CIRCUIT

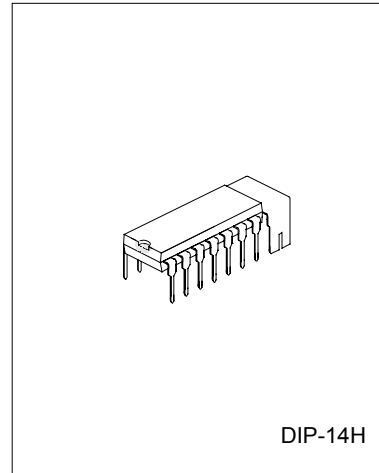
B/W TV VIF PROCESSING CIRCUIT

DESCRIPTION

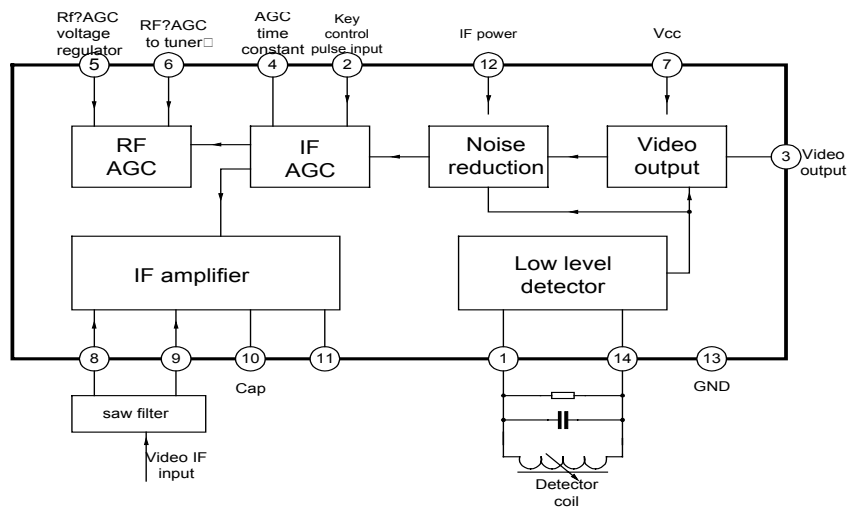
UTC PC1366 is designed for B/W TV VIF processing purpose. It includes VIF amplifier, video low level detector RF AGC, IF AGC and noise reduction circuit.

FEATURES

- *High input sensitivity Typ.30dB μ .
- *Key and peak controllable AGC.
- *Operating voltage down to 7V.
- *Wide video bandwidth suitable for modulation IF of 4.5, 5.5,6.0,6.5 MHZ.
- *Differential input implied with easy used with SAW
- *Low external part count.



BLOCK DIAGRAM



UTCPC1366 LINEAR INTEGRATED CIRCUIT

ABSOLUTE MAXIMUM RATING(Ta=25°C)

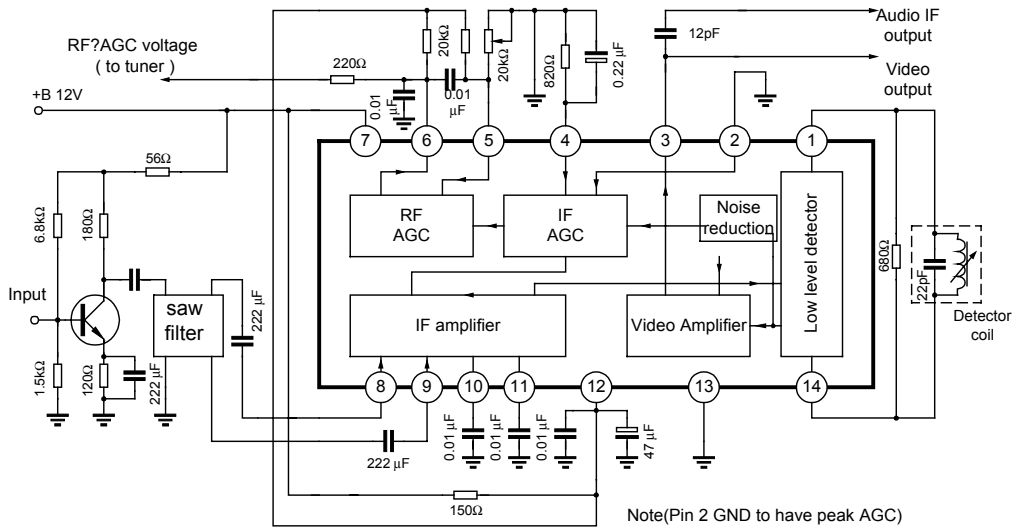
PARAMETER	SYMBOL	VALUE	UNIT
Supply Voltage	VCC	15	V
Output Current	IP-P	3	VP-P
Power Dissipation	PD	875(Ta=75°C)With heat sink	W
Operating Temperature	TOPR	-20 ~ +70	°C
Storage Temperature	TSTG	-40 ~ +125	°C

ELECTRICAL CHARACTERISTICS(Ta=25°C,VCC=12V,fp=38MHZ,fm=400HZ)

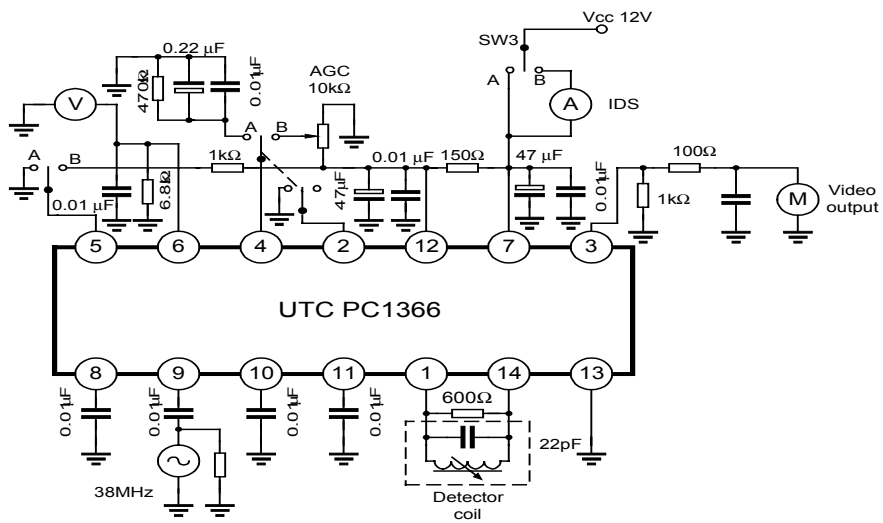
PARAMETER	SYMBOL	TEST CONDITIONS	MIN	TYP	MAX	UNIT
Total Supply Current	ICC	I7+I12,RA=150Ω	40	50	60	mA
Input Sensitivity	SVI	Modulation=80%, VO=1.4VP-P		30	35	dB μ
Max Input Voltage	VI(MAX)	Modulation=80%,-1dB	100			dBμ
Video Output Voltage	VO	Modulation=80%,VI=3mVrms	1.0	1.4	1.7	VP-P
Video Output DC Voltage	VO(DC)	No signal	3.3	3.8	4.3	V
S/N Ratio	S/N	Modulation=80%-0%, VI=3mVrms	40	50		dB
RF AGC Voltage(Hi)	V6H	V5=0V	8	9	11	V
RF AGC Voltage(Lo)	V6L	V5=7V		0	0.5	V
Differential Gain	D.G.	Step signal,fm=4.43MHZ			10	%
Differential Phase	D.P.	Step signal,fm=4.43MHZ			10	deg
Video Detector Bandwidth	GV(F)	-3dB point	5.5			MHZ
Input Impedance	RIN			1.5		KΩ
Input Capacitance	CIN			3.3		pF

UTCPC1366 LINEAR INTEGRATED CIRCUIT

APPLICATION CIRCUIT



TEST CIRCUIT



UTCPC1366 LINEAR INTEGRATED CIRCUIT

TYPICAL PERFORMANCE CHARACTERISTICS

