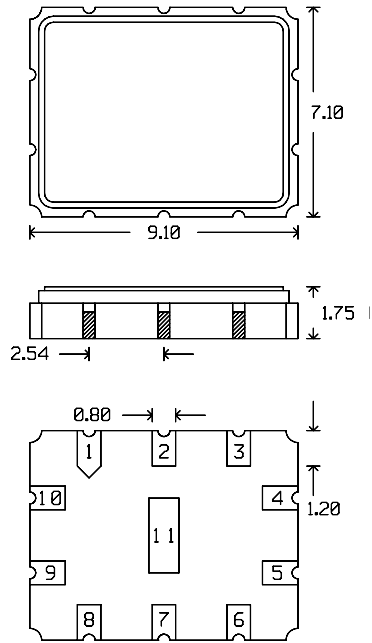






### PACKAGE OUTLINE

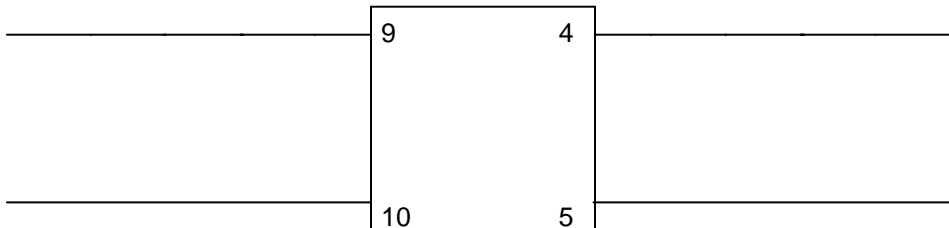


Units: mm

#### Pad Configuration:

- Input: 9
- Input Return: 10
- Output: 4
- Output Return: 5
- Ground: 1,2,3,6,7,8,11

### MATCHING CIRCUIT



#### Note

- External matching components are not required.

ISO 9001  
Registered