

General Description

The Enhanced Serial Communication Controller ESCC2 (SAB 82532) is a multiprotocol data communication controller with two symmetrical serial channels. It has been designed to implement high speed communication links and to reduce hardware and software overhead needed for serial synchronous/asynchronous communications.

The version 82532N-10 of the ESCC2 opens a wide area for application which use time division multiplex methods (e.g. time-slot oriented PCM systems, systems designed for packet switching, ISDN applications).

General Features**Serial Interface**

- Two independent full-duplex serial channels
 - On-chip clock generation or external clock source
 - On-chip DPLL for clock recovery of each channel
 - Two independent baud rate generators
 - Independent time-slot assignment for each channel with programmable time-slot length (1 - 256 bits)
- Async, sync character oriented (MONOSYNC/BISYNC) or HDLC/SDLC modes (including SDLC LOOP)
- Transparent receive/transmit of data bytes without framing
- NZR, NRZI, FM and Manchester encoding
- Modem control lines (RTS, CTS, CD)
- CRC support:
 - HDLC/SDLC: CRC-CCITT or CRC-32
 - (automatic handling for transmit/receive direction)
 - BISYNC: CRC-16 or CRC-CCITT
 - (support for transmit direction)
- Support of bus configuration by collision detection and resolution
- Statistical multiplexing
- Continuous transmission of 1 to 32 bytes possible
- Programmable preamble (8 bit) with selectable repetition rate (HDLC/SDLC and BISYNC)
- Data rate up to 10 Mbit/s
- Master clock mode with data rate up to 4 Mbit/s

Applications

- Universal, multiprotocol communication board for Workstation- and PC-boards
- Terminal controllers
- Computer peripherals
- Time-slotted packet networks
- Multimaster communication networks
- LANs

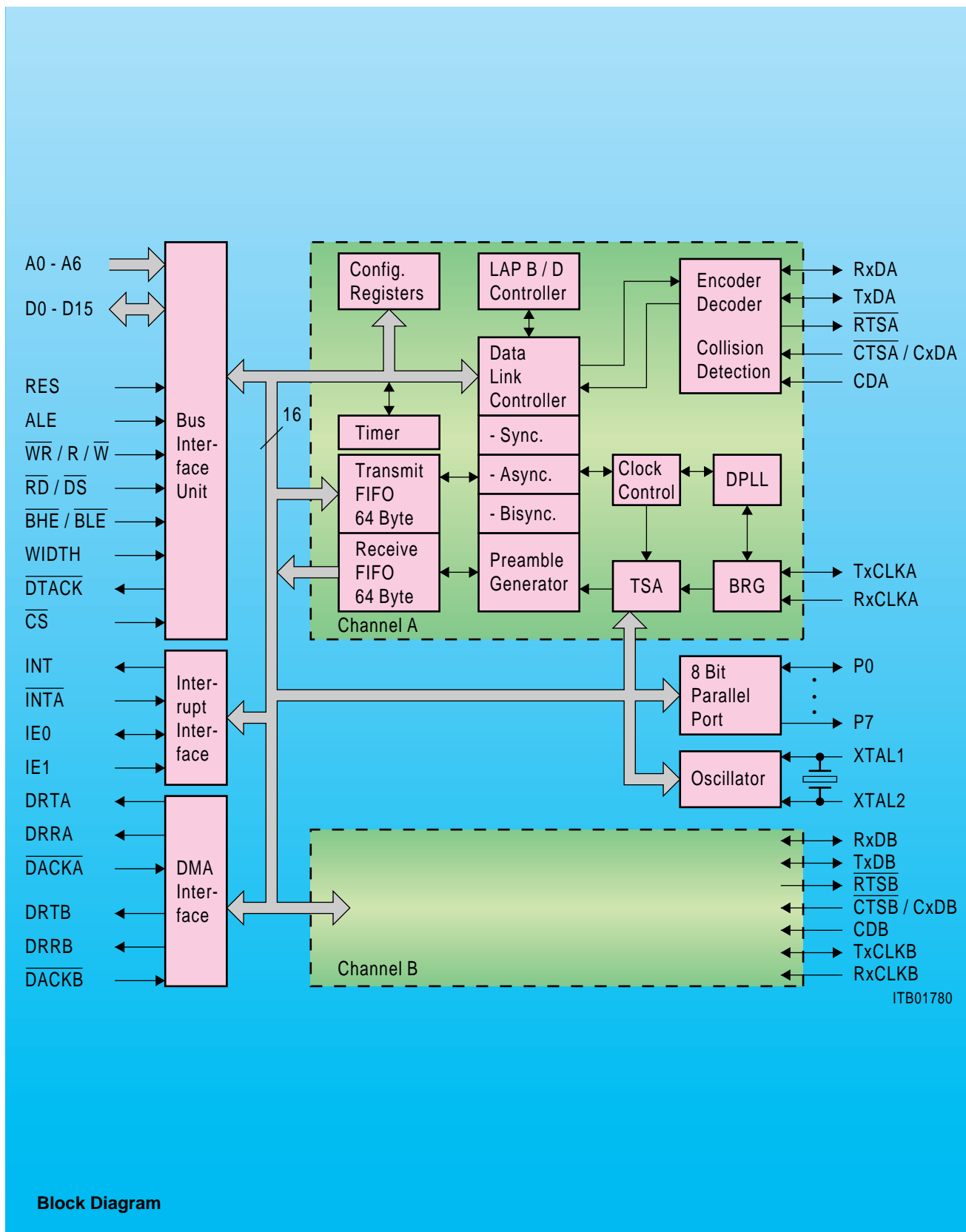
Type	Package	Max. Data Rate Clocked		Time-Slot Mode
		ext.	int. (DPLL)	
SAB 82532-N	P-LCC-68-1	2 Mbit/s	2 Mbit/s	no
SAB 82532-N-10	P-LCC-68-1	10 Mbit/s	2 Mbit/s	yes

Protocol Support (HDLC / SDLC)

- Various types of protocol support depending on operating mode
 - Auto-mode (automatic handling of S- and I-frames)
 - Non-auto mode
 - Transparent mode
- Handling of bit oriented functions
- Support of LAPB / LAPD / SDLC / HDLC protocol in auto-mode (I- and S-frame handling)
- Modulo 8 or modulo 128 operation
- Programmable time-out and retry conditions
- Programmable maximum packet size checking

MP Interface and Ports

- 64-byte FIFOs per channel and direction (byte or word access)
- 8/16-bit microprocessor bus interface (Intel or Motorola type)
- All registers directly accessible (byte and word access)
- Efficient transfer of data blocks from/to system memory via DMA or interrupt request
- Support of Daisy Chaining and Slave Operation with Interrupt Vector generation
- 8-bit programmable bidirectional universal port



Block Diagram