



# LC74FCT164245, 74FCT164245T

## Fast 16-Bit CMOS Bidirectional Transceiver (Supporting 3.3 to 5 V Operation)

### Overview

The LC74FCT164245 and LC74FCT164245T 16-bit 3.3-to-5 V translators are fabricated in an advanced two-metal-layer CMOS technology. These high-speed low-power transceivers are designed to be used as interfaces between 3.3 V and 5 V busses in 3.3/5 V dual power supply systems. The use of these products allows system designers to interface TTL-compatible 3.3 V components to 5 V components. The directionality and output enable control in these products is designed to allow them to be used as either two independent 8-bit transceivers or as a single 16-bit transceiver. In use, the A port is interfaced to the 3.3 V bus and the B port to the 5 V bus. The direction control pin ( $\times$  DIR) controls the data flow direction and the output enable pin ( $\times$  OE) disables directionality control and disables both ports. These control signals can be driven from either 3.3 V system or 5 V system devices. The LC74FCT164245T is optimal for driving large-capacitance loads and low-impedance loads. These output buffers can also be used as an interface between a dual-power-supply system and external 5 V system equipment. The LC74FCT164245 provides a balanced output drive function that incorporates 25  $\Omega$  (typical value) supply terminating resistors in each output to minimize ground bounce. The LC74FCT164245 features an inter-rail output amplitude and a control-type output edge rate. These features aim at improved signal quality. The LC74FCT164245 is optimal for use in on-board bus interfaces, and in particular, memory data buses.

### Features

- 0.8  $\mu$ m CMOS technology
- 3.3 V bus to 5 V bus interface
- Bidirectional data transfer
- Control inputs can be driven from either 3.3 V or 5 V devices.
- Inter-rail output amplitude for both 3.3 V and 5 V ports
- ESD tolerance > 2000 V; MIL-STD-883 (when tested with the 3015 method)
- ESD tolerance > 200 V; For a machine model with C = 200 pF and R = 0
- 20 mil center SQFP

- Expanded temperature range:  $-40$  to  $+85^{\circ}\text{C}$
- $V_{CC1} = 5 \text{ V} \pm 10\%$ ,  $V_{CC2} = 3.3 \text{ V} \pm 0.3 \text{ V}$

### LC74FCT164245T Features

- High drive output levels ( $I_{OH}$ :  $-32 \text{ mA}$ ,  $I_{OL}$ :  $40 \text{ mA}$ )

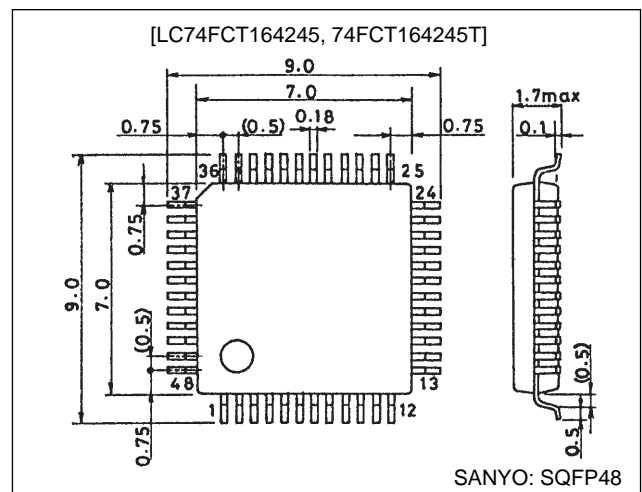
### LC74FCT164245 Features

- Balanced output drive:  $\pm 24 \text{ mA}$
- No external resistors are required since series terminated outputs are used.

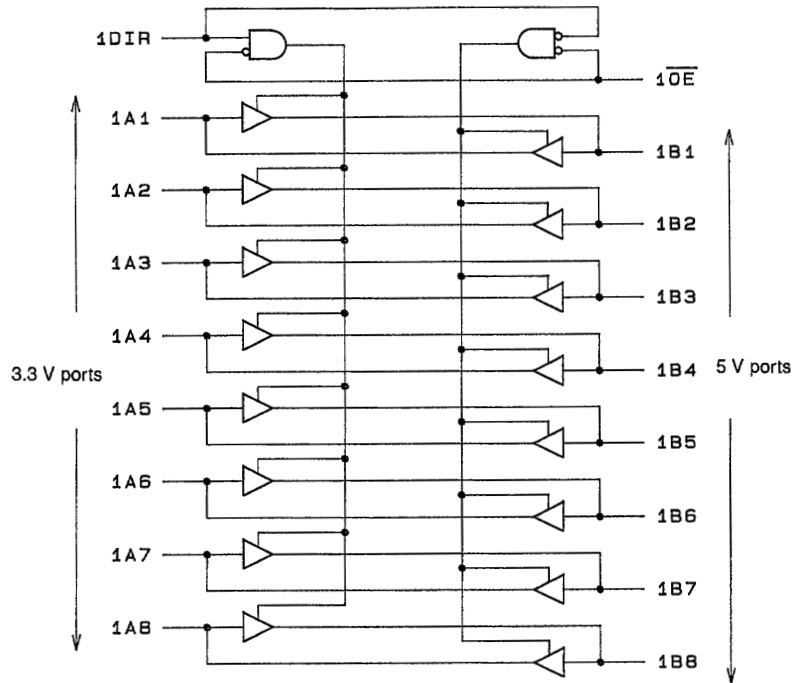
### Package Dimensions

unit: mm

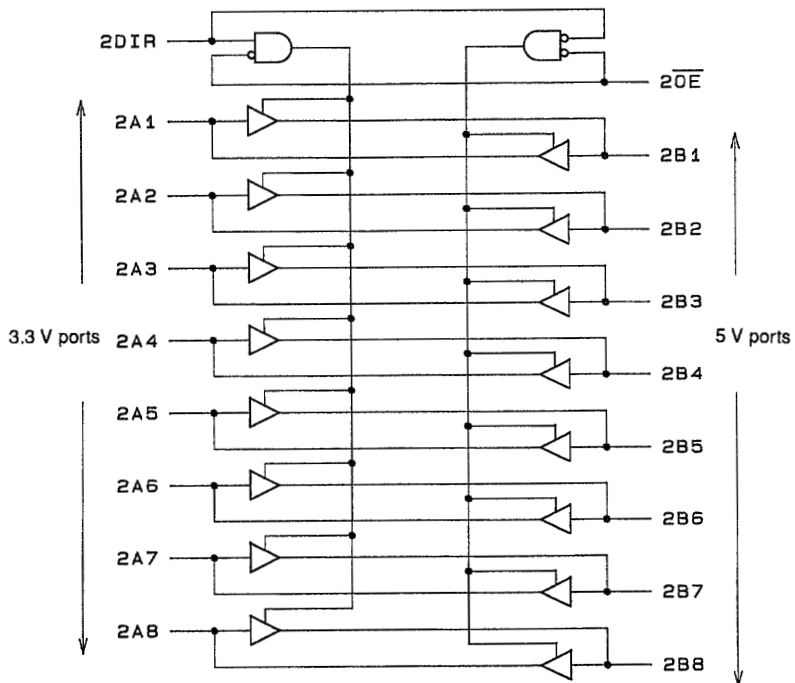
#### 3163A-SQFP48



Function Block Diagram



A02712



A02713

Power Supply Operating Sequences

Power on: Either apply  $V_{CC1}$  first and then  $V_{CC2}$ , or apply both at the same time.

Power off: Either turn off  $V_{CC2}$  first and then  $V_{CC1}$ , or turn off both at the same time.

### Pin Functions

Pin	Function
× $\overline{OE}$	Output enable input (active low)
× DIR	Direction control input
× AX	A side input or three-state output
× BX	B side input or three-state output

## Specifications

### Absolute Maximum Ratings\*1

Parameter	Symbol	Conditions	Ratings	Unit
Pin voltage referenced to GND	$V_{TERM}^{*2}$		-0.5 to +7.0	V
Pin voltage referenced to GND	$V_{TERM}^{*3}$		-0.5 to $V_{CC1}$ ( $V_{CC2}$ ) + 0.5	V
Operating temperature	$T_{opr}$		-40 to +85	°C
Temperature when bias is applied	$T_{BIAS}$		-55 to +125	°C
Storage temperature	$T_{stg}$		-55 to +125	°C
Power dissipation	$P_T$		*4	W
DC output current	$I_{OUT}$		-60 to +60	mA

- Note: 1. Applying stresses in excess of the absolute maximum ratings may permanently damage the device. The values specified here are stress ratings only, and do not refer to operation under conditions outside either these conditions or the operating conditions. Operating for extended periods at the absolute maximum ratings may adversely influence device reliability. Unless otherwise specified, pin voltages must not exceed  $V_{CC1}$  (or  $V_{CC2}$ ) + 0.5 V.
2. Inputs and the  $V_{CC1}$  pin
3. Outputs, I/O pins, and the  $V_{CC2}$  pin
4. See Figure 1.

### Function Truth Table\*

Input		Output
× $\overline{OE}$	× DIR	
L	L	Bus B data output to bus A
L	H	Bus A data output to bus B
H	X	High-impedance state.

- Note: \* H = High level  
L = Low level  
X = Don't care

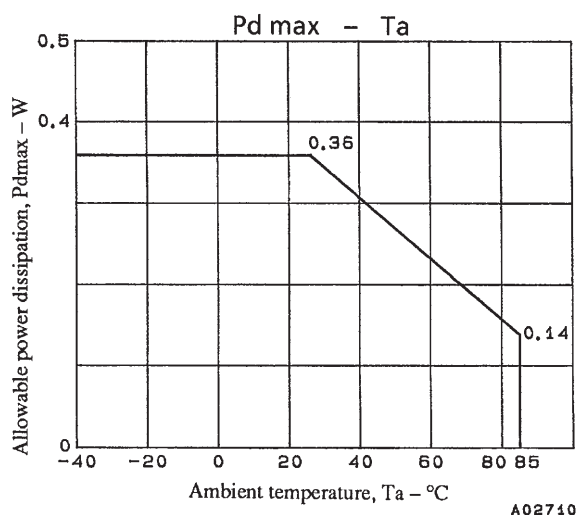


Figure 1

### Capacitances (Ta = 25°C)

Parameter*	Symbol	Conditions	min	typ	max	Unit
Input capacitance	$C_{IN}$			5.5	8.0	pF
I/O capacitance	$C_{I/O}$			4.5	6.0	pF

- Note: \* These capacitance values are logic values, and are not tested.

## LC74FCT164245, 74FCT164245T

### DC Electrical Characteristics in the Operating Ranges (A port: 3.3 V)

The following conditions apply unless otherwise specified.

$V_{CC1} = 5.0 \text{ V} \pm 10\%$ ,  $V_{CC2} = 3.3 \text{ V} \pm 0.3 \text{ V}$   $T_a = -40 \text{ to } +85^\circ\text{C}$

Parameter	Symbol	Conditions*1	min	typ*2	max	Unit
Input high level voltage	$V_{IH}$	Logic high level guaranteed	2.0		$V_{CC1} + 0.5$	V
Input low level voltage	$V_{IL}$	Logic low level guaranteed	-0.5		+0.8	V
Input high level current (input pins)	$I_{IH}$	$V_{CC2} = \text{max}$				$\pm 0.5$
Input high level current (I/O pins)						$\pm 0.5$
Input low level current (input pins)	$I_{IL}$	$V_{CC2} = \text{max}$	$V_I = \text{GND}$			$\pm 0.5$
Input low level current (I/O pins)						$\pm 0.5$
High impedance output current	$I_{OZH}$	$V_{CC2} = \text{max}$	$V_O = V_{CC2}$			$\pm 0.5$
	$I_{OZL}$		$V_O = \text{GND}$			$\pm 0.5$
Output high level voltage	$V_{OH}$	$V_{CC2} = \text{min}$ , $V_{IN} = V_{IH}$ or $V_{IL}$	$I_{OH} = -8 \text{ mA}$	2.4	3.0	V
			$I_{OH} = -0.1 \text{ mA}$	$V_{CC2} - 0.2$		V
Output low level voltage	$V_{OL}$	$V_{CC2} = \text{min}$ , $V_{IN} = V_{IH}$ or $V_{IL}$	$I_{OL} = 24 \text{ mA}$		0.3	0.5
			$I_{OL} = 0.1 \text{ mA}$			0.2
Quiescent current	$I_{CC2}$	$V_{CC2} = \text{max}$ , $V_{IN} = \text{GND}$ or $V_{CC2}$		0.35	2.0	mA

Note: 1. Values stipulated in the electrical characteristics for the corresponding product must be used for the test conditions for the maximum and minimum values.

2. Typical values are values for  $V_{CC1} = 5.0 \text{ V}$ ,  $V_{CC2} = 3.3 \text{ V}$ , and an ambient temperature of  $+25^\circ\text{C}$ .

### DC Electrical Characteristics in the Operating Ranges (B port: 5 V)

The following conditions apply unless otherwise specified.

$V_{CC1} = 5.0 \text{ V} \pm 10\%$ ,  $V_{CC2} = 3.3 \text{ V} \pm 0.3 \text{ V}$   $T_a = -40 \text{ to } +85^\circ\text{C}$

Parameter	Symbol	Conditions*1	min	typ*2	max	Unit
Input high level voltage	$V_{IH}$	Logic high level guaranteed	2.0			V
Input low level voltage	$V_{IL}$	Logic low level guaranteed			0.8	V
Input high level current (input pins)	$I_{IH}$	$V_{CC1} = \text{max}$	$V_I = V_{CC1}$			$\pm 5$
Input high level current (I/O pins)						$\pm 15$
Input low level current (input pins)	$I_{IL}$	$V_{CC1} = \text{max}$	$V_I = \text{GND}$			$\pm 5$
Input low level current (I/O pins)						$\pm 15$
High impedance output current (Three-state output pins)	$I_{OZH}$	$V_{CC1} = \text{max}$	$V_O = 2.7 \text{ V}$			$\pm 10$
	$I_{OZL}$		$V_O = 0.5 \text{ V}$			$\pm 10$
Quiescent current	$I_{CC}$	$V_{CC1} = \text{max}$ , $V_{IN} = \text{GND}$ or $V_{CC1}$		0.08	1.5	mA

Note: 1. Values stipulated in the electrical characteristics for the corresponding product must be used for the test conditions for the maximum and minimum values.

2. Typical values are values for  $V_{CC1} = 5.0 \text{ V}$ ,  $V_{CC2} = 3.3 \text{ V}$ , and an ambient temperature of  $+25^\circ\text{C}$ .

### LC74FCT164245T Output Drive Characteristics (B port: 5 V)

Parameter	Symbol	Conditions*1	min	typ*2	max	Unit
Output high level voltage	$V_{OH}$	$V_{CC1} = \text{min}$ , $V_{IN} = V_{IH}$ or $V_{IL}$	$I_{OH} = -3 \text{ mA}$	2.5	3.5	V
			$I_{OH} = -15 \text{ mA}$	2.4	3.5	V
			$I_{OH} = -32 \text{ mA}^{*3}$	2.0	3.0	V
Output low level voltage	$V_{OL}$	$V_{CC1} = \text{min}$ , $V_{IN} = V_{IH}$ or $V_{IL}$	$I_{OL} = 40 \text{ mA}$		0.2	0.55

Note: 1. Values stipulated in the electrical characteristics for the corresponding product must be used for the test conditions for the maximum and minimum values.

2. Typical values are values for  $V_{CC1} = 5.0 \text{ V}$ ,  $V_{CC2} = 3.3 \text{ V}$ , and an ambient temperature of  $+25^\circ\text{C}$ .

3. Do not test more than one output at a time. The test time must not exceed 1 second.

## LC74FCT164245, 74FCT164245T

### LC74FCT164245 Output Drive Characteristics (B port: 5 V)

Parameter	Symbol	Conditions*1	min	typ*2	max	Unit
Output low level current	$I_{ODL}$	$V_{CC1} = 5\text{ V}, V_{IN} = V_{IH}\text{ or }V_{IL}, V_{OUT} = 1.5\text{ V}^{*3}$	60	115	150	mA
Output high level current	$I_{ODH}$	$V_{CC1} = 5\text{ V}, V_{IN} = V_{IH}\text{ or }V_{IL}, V_{OUT} = 1.5\text{ V}^{*3}$	-60	-115	-150	mA
Output high level voltage	$V_{OH}$	$V_{CC1} = \text{min}, V_{IN} = V_{IH}\text{ or }V_{IL}$	$I_{OH} = -0.1\text{ mA}$	$V_{CC1} - 0.2$		V
			$I_{OH} = -24\text{ mA}$	2.4	3.3	V
Output low level voltage	$V_{OL}$	$V_{CC1} = \text{min}, V_{IN} = V_{IH}\text{ or }V_{IL}$	$I_{OL} = 24\text{ mA}$	0.3	0.55	V

Note: 1. Values stipulated in the electrical characteristics for the corresponding product must be used for the test conditions for the maximum and minimum values.

2. Typical values are values for  $V_{CC1} = 5.0\text{ V}$ ,  $V_{CC2} = 3.3\text{ V}$ , and an ambient temperature of  $+25^\circ\text{C}$ .

3. Do not test more than one output at a time. The test time must not exceed 1 second.

### Power Supply Current Characteristics

Parameter	Symbol	Conditions*1	min	typ*2	max	Unit
Quiescent current High-level TTL inputs	$\Delta I_{CC}$	$V_{CC1} = \text{max}, V_{CC2} = \text{max}, V_{IN} = V_{CC2} - 0.6\text{ V}^{*3}$		1.2	30	$\mu\text{A}$
Operating supply current*4	$I_{CCD}$	$V_{CC1} = \text{max}, V_{CC2} = \text{max}$ , outputs open, $\times \overline{OE} = \times \text{DIR} = \text{GND}$ , toggling a single input, 50% duty cycle	$V_{IN} = V_{CC2}$ , $V_{IN} = \text{GND}$	75	120	$\mu\text{A}/\text{MHz}$
Total supply current*5	$I_C$	$V_{CC1} = \text{max}, V_{CC2} = \text{max}$ , outputs open, $f_i = 10\text{ MHz}$ , $\times \overline{OE} = \times \text{DIR} = \text{GND}$ , toggling a single bit, 50% duty cycle	$V_{IN} = V_{CC2} - 0.6\text{ V}$ , $V_{IN} = \text{GND}$	1.2	4.7	mA
		$V_{CC1} = \text{max}, V_{CC2} = \text{max}$ , outputs open, $f_i = 2.5\text{ MHz}$ , $\times \overline{OE} = \times \text{DIR} = \text{GND}$ , toggling a 16 bits, 50% duty cycle	$V_{IN} = V_{CC2} - 0.6\text{ V}$ , $V_{IN} = \text{GND}$	3.5	8.5	

Note: 1. Values stipulated in the electrical characteristics for the corresponding product must be used for the test conditions for the maximum and minimum values.

2. Typical values are values for  $V_{CC1} = 5.0\text{ V}$ ,  $V_{CC2} = 3.3\text{ V}$ , and at an ambient temperature of  $+25^\circ\text{C}$ .

3. For the TTL drive inputs ( $V_{IN} = 2.4\text{ V}$ ), connect all the other inputs to  $V_{CC1}$  or GND.

4. Although this parameter cannot be directly measured, it is provided for calculating the total power dissipation.

5.  $I_C = I_{\text{QUIESCENT}} + I_{\text{INPUTS}} + I_{\text{DYNAMIC}}$   
 $I_C = I_{CC} + \Delta I_{CC} \cdot D_H \cdot N_T + I_{CCD} (f_{CP} N_{CP} / 2 + f_i N_i)$   
 $I_{CC} =$  Quiescent current ( $I_{CCL}$ ,  $I_{CCH}$ , and  $I_{CCZ}$ )  
 $\Delta I_{CC} =$  Supply current for the high-level TTL inputs  
 $D_H =$  Duty cycle for the high-level TTL inputs  
 $N_T =$  The number of TTL inputs in  $D_H$   
 $I_{CCD} =$  Operating current due to input transition pairs (HLH or LHL)  
 $f_{CP} =$  Clock frequency for register devices (zero for non-register devices)  
 $N_{CP} =$  The number of clocks input in  $f_{CP}$   
 $f_i =$  Input frequency  
 $N_i =$  The number of inputs in  $f_i$ .

### LC74FCT164245/164245T Switching Characteristics in the Operating Ranges

Parameter	Symbol	Conditions*1	min*1	typ	max	Unit
Transmission delay (From A to B or from B to A)	$t_{PLH}$ , $t_{PHL}$	$C_L = 50\text{ pF}, R_L = 500\ \Omega$	1.5		7.0	ns
Output enable time (From $\times \overline{OE}$ to A or B)	$t_{PZH}^{*1}$ , $t_{PZL}^{*1}$		1.5		12.0	ns
Output disable time (From $\times \overline{OE}$ to A or B)	$t_{PHZ}^{*1}$ , $t_{PLZ}^{*1}$		1.5		7.5	ns
Output enable time (From $\times \text{DIRS}$ to A or B*3)	$t_{PZH}^{*2}$ , $t_{PZL}^{*2}$		1.5		9.5	ns
Output disable time (From $\times \text{DIRS}$ to A or B*3)	$t_{PHZ}^{*2}$ , $t_{PLZ}^{*2}$		1.5		7.5	ns

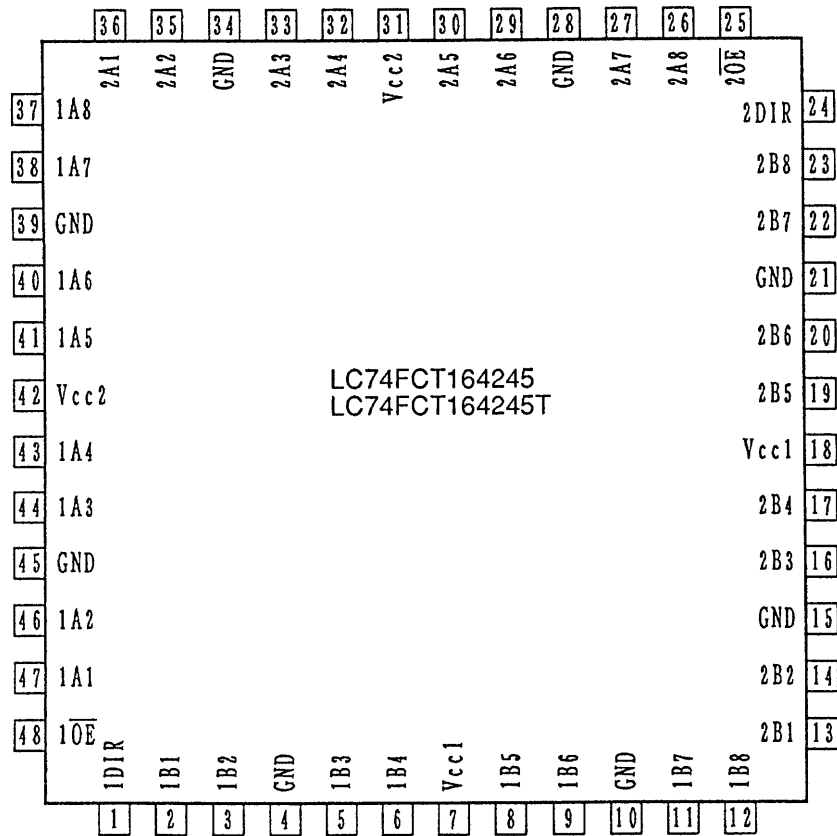
Note: 1. See the figures for the test circuit and waveforms.

2. Although the minimum values are guaranteed, the transmission delay is not tested.

3. This parameter is guaranteed but not tested.

## LC74FCT164245, 74FCT164245T

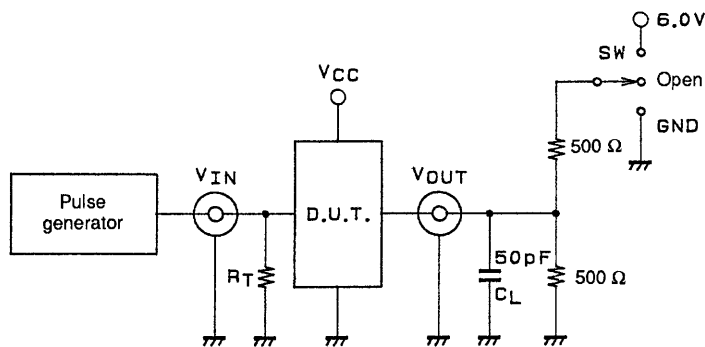
### Pin Assignment



Top view

### Test Circuit and Waveform Diagrams

#### Test Circuit for All Outputs



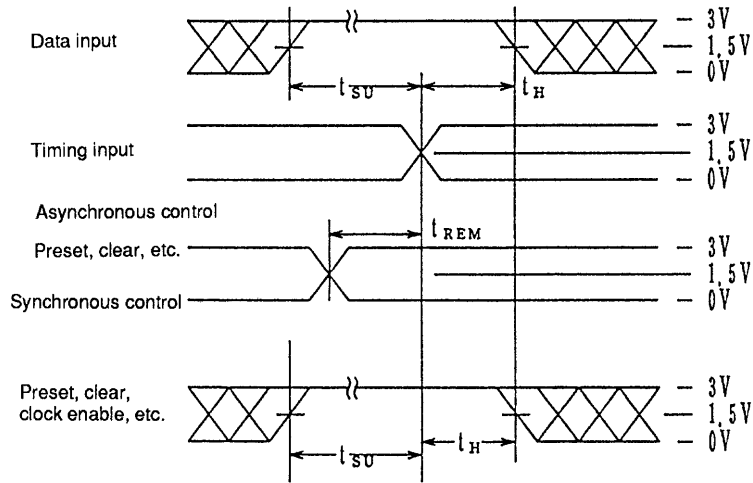
A02714

#### Switch Positions

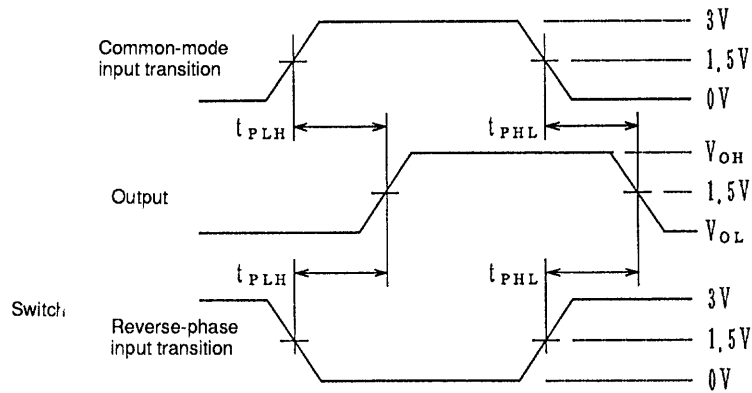
Test	Switch
Open drain, Disable low level, Enable low level	6.0 V
Disable high level, Enable high level	GND
All other tests	Open

Definitions:  $C_L$  = Load capacitance: including the jig and probe capacitances  
 $R_T$  = Terminating resistance: equivalent to the pulse generator's  $Z_{out}$ .

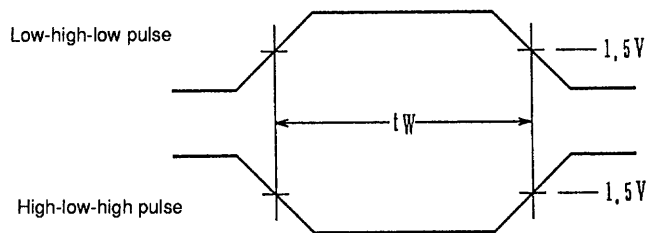
**Setup, Hold, and Release Timing**



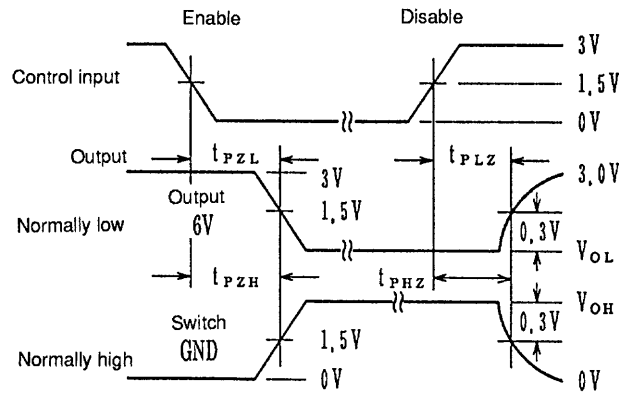
**Transmission Delay**



**Pulse Width**



Enable and Disable Timing



- Note: 1. These diagrams are for the input enable low level and the input control disable high level cases.  
 2. Pulse generator setup for all pulses: rate  $\leq 1.0$  MHz, Z<sub>o</sub>  $\leq 50$   $\Omega$ , t<sub>r</sub>  $\leq 2.5$  ns, t<sub>f</sub>  $\leq 2.5$  ns

■ No products described or contained herein are intended for use in surgical implants, life-support systems, aerospace equipment, nuclear power control systems, vehicles, disaster/crime-prevention equipment and the like, the failure of which may directly or indirectly cause injury, death or property loss.

■ Anyone purchasing any products described or contained herein for an above-mentioned use shall:

- ① Accept full responsibility and indemnify and defend SANYO ELECTRIC CO., LTD., its affiliates, subsidiaries and distributors and all their officers and employees, jointly and severally, against any and all claims and litigation and all damages, cost and expenses associated with such use:
- ② Not impose any responsibility for any fault or negligence which may be cited in any such claim or litigation on SANYO ELECTRIC CO., LTD., its affiliates, subsidiaries and distributors or any of their officers and employees jointly or severally.

■ Information (including circuit diagrams and circuit parameters) herein is for example only; it is not guaranteed for volume production. SANYO believes information herein is accurate and reliable, but no guarantees are made or implied regarding its use or any infringements of intellectual property rights or other rights of third parties.

This catalog provides information as of June, 1995. Specifications and information herein are subject to change without notice.